



JTB00608NAS1

TECHNICAL BULLETIN

16 JUL 2018

© Jaguar Land Rover North America, LLC

NOTE: The information in Technical Bulletins is intended for use by trained, professional Technicians with the knowledge, tools, and equipment required to do the job properly and safely. It informs these Technicians of conditions that may occur on some vehicles, or provides information that could assist in proper vehicle service. The procedures should not be performed by 'do-it-yourselfers'. If you are not a Retailer, do not assume that a condition described affects your vehicle. Contact an authorized Jaguar service facility to determine whether this bulletin applies to a specific vehicle.

INFORMATION

SECTION:

204-00: Suspension System

SUBJECT/CONCERN:

Vibration In Passenger Compartment When Not Moving

AFFECTED VEHICLE RANGE:

MODEL:	MODEL YEAR:	VIN:	ASSEMBLY PLANT:	APPLICABILITY:
F-PACE (X761)	2018	898729-899997	Solihull	INGENIUM I4 2.0L Diesel
F-PACE (X761)	2018 Onwards	240049 Onwards	Solihull	INGENIUM I4 2.0L Diesel
XE (X760)	2018 Onwards	P16864 Onwards	Castle Bromwich	INGENIUM I4 2.0L Diesel
XF (X260)	2018 Onwards	Y53222 Onwards	Castle Bromwich	INGENIUM I4 2.0L Diesel

MARKETS:

NORTH AMERICA

CONDITION SUMMARY:**SITUATION:**

A vibration in the passenger may be evident compartment when the vehicle is not moving, transmission in Park (P) or Neutral (N), and when the engine speed decreases from 900 RPM to 800 RPM.

CAUSE:

This may be caused by the engine mounting vacuum control solenoid being manufactured away from the required specification.

ACTION:

Should a customer express this concern, follow the Workshop Procedure below.

PARTS:

PART NUMBER	DESCRIPTION	QUANTITY
T2H37589	Engine Mounting Vacuum Control Solenoid - XE (X760), XF (X260)	1
T4A1065	Engine Mounting Vacuum Control Solenoid - F-PACE (X761)	1

TOOLS:

Refer to Workshop Manual for any required special tools.

WARRANTY: **NOTES:**

- Repair procedures are under constant review, and therefore times are subject to change; those quoted here must be taken as guidance only. Always refer to JLR claims submission system to obtain the latest repair time.
- The JLR Claims Submission System requires the use of causal part numbers. Labor only claims must show the causal part number with a quantity of zero.

DESCRIPTION	SRO	TIME (HOURS)	CONDITION CODE	CAUSAL PART
Engine Mounting Vacuum Control Solenoid - Renew	12.45.05	0.2	45	T2H37589/T4A1065

 **NOTE:**

Normal Warranty procedures apply.

COMPONENT LOCATION:

1

 **NOTES:**

- XF (X260) shown; others similar.
- Some Some components are shown removed for clarity.



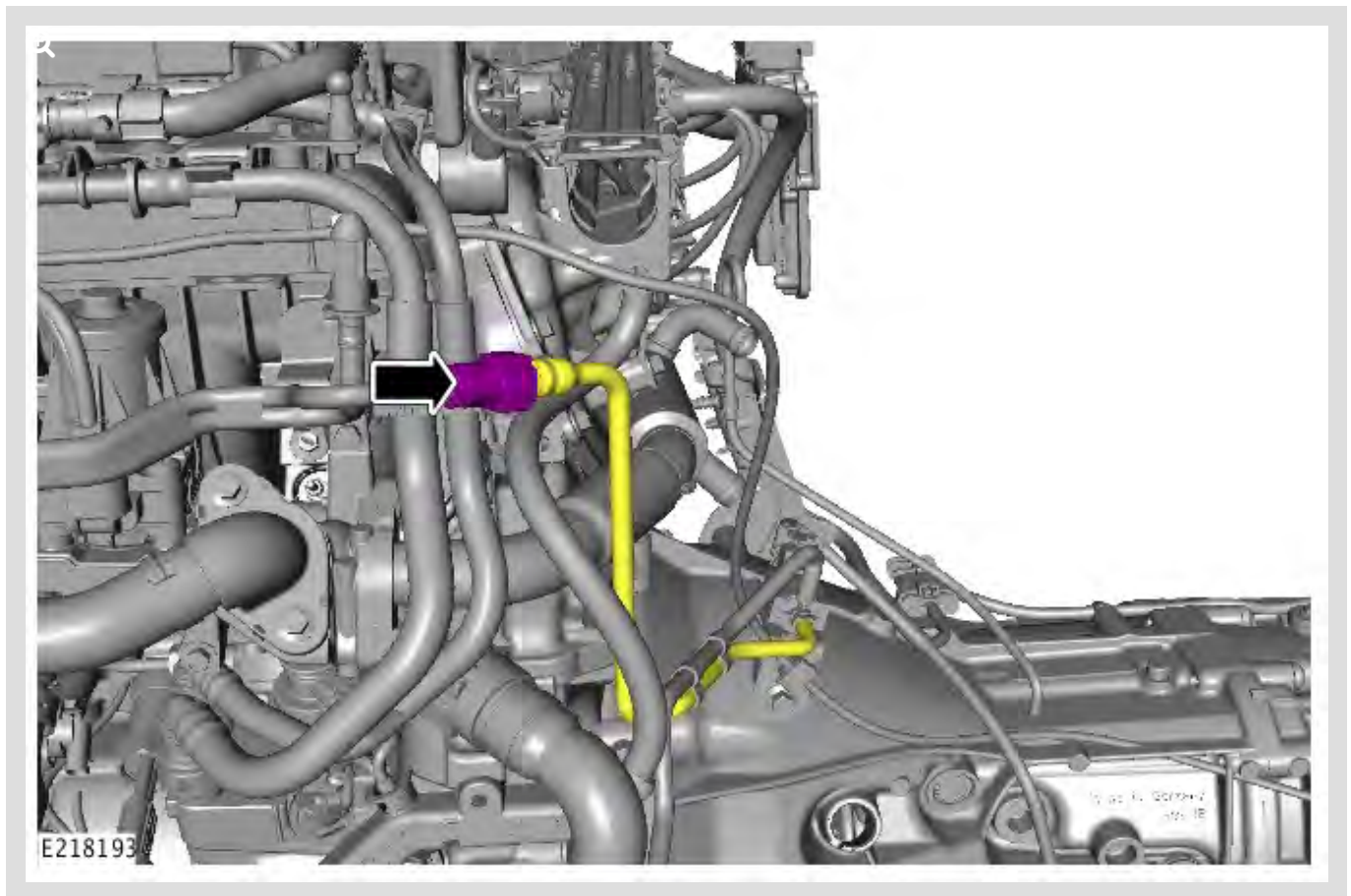
Component location.

WORKSHOP PROCEDURE:

- 1 Open the hood.

- 2  **NOTE:**

Some components are shown removed for clarity.

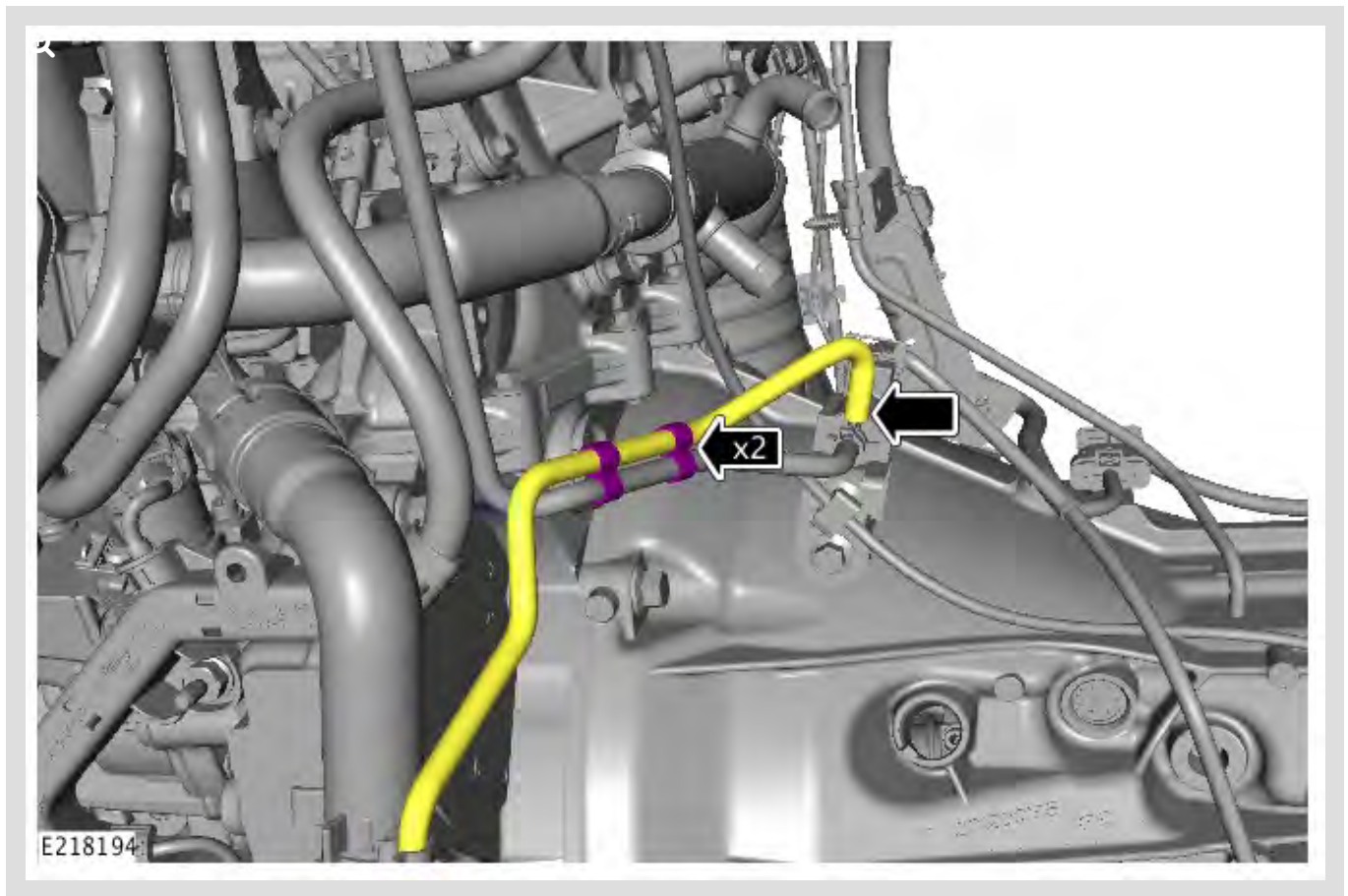


Disconnect the vacuum hose.

3

NOTES:

- Some components are shown removed for clarity.
- Do not discard the fasteners.

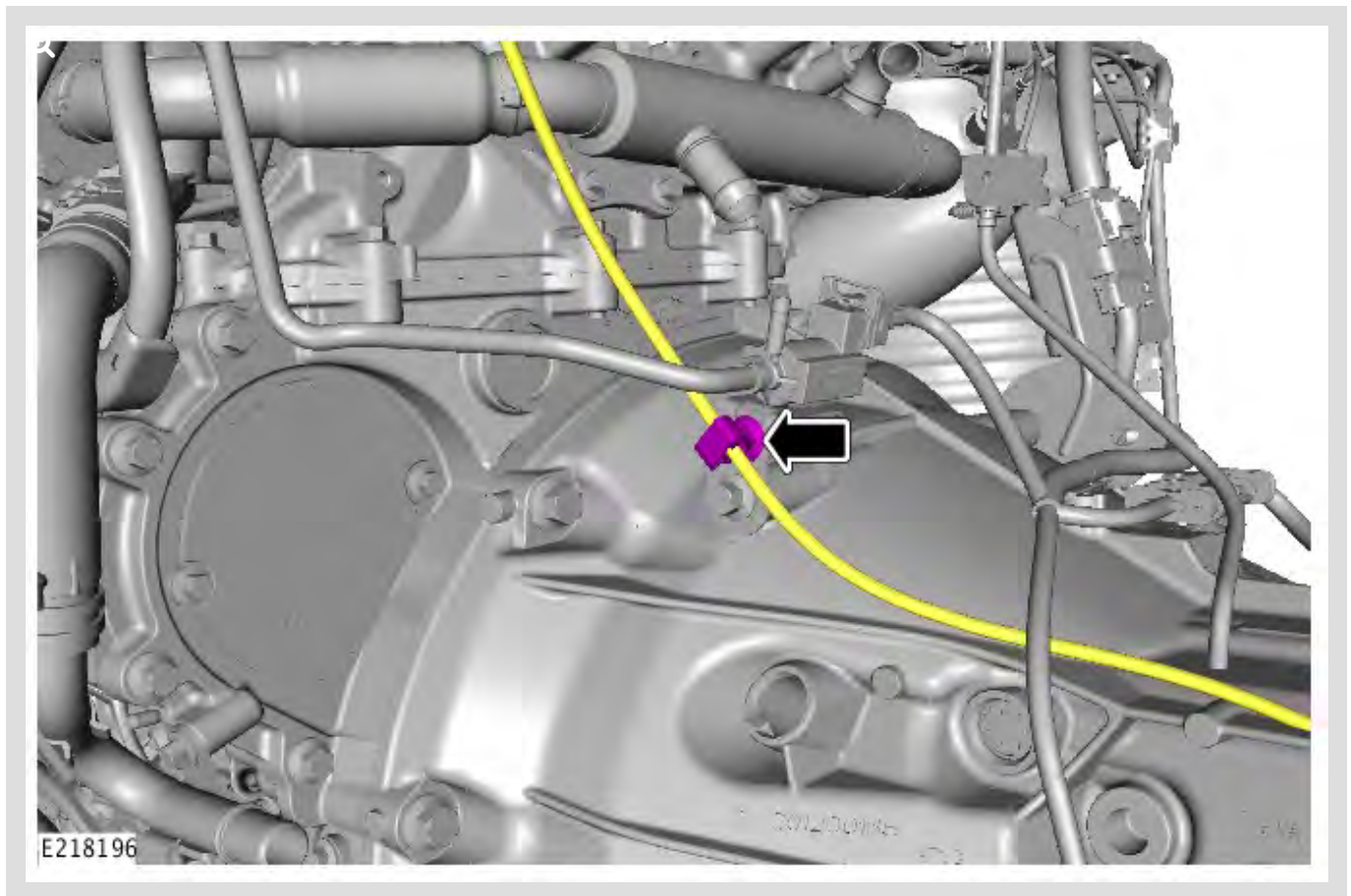


Disconnect the vacuum hose and do not discard the fasteners.

4

NOTES:

- Some components are shown removed for clarity.
- If equipped.

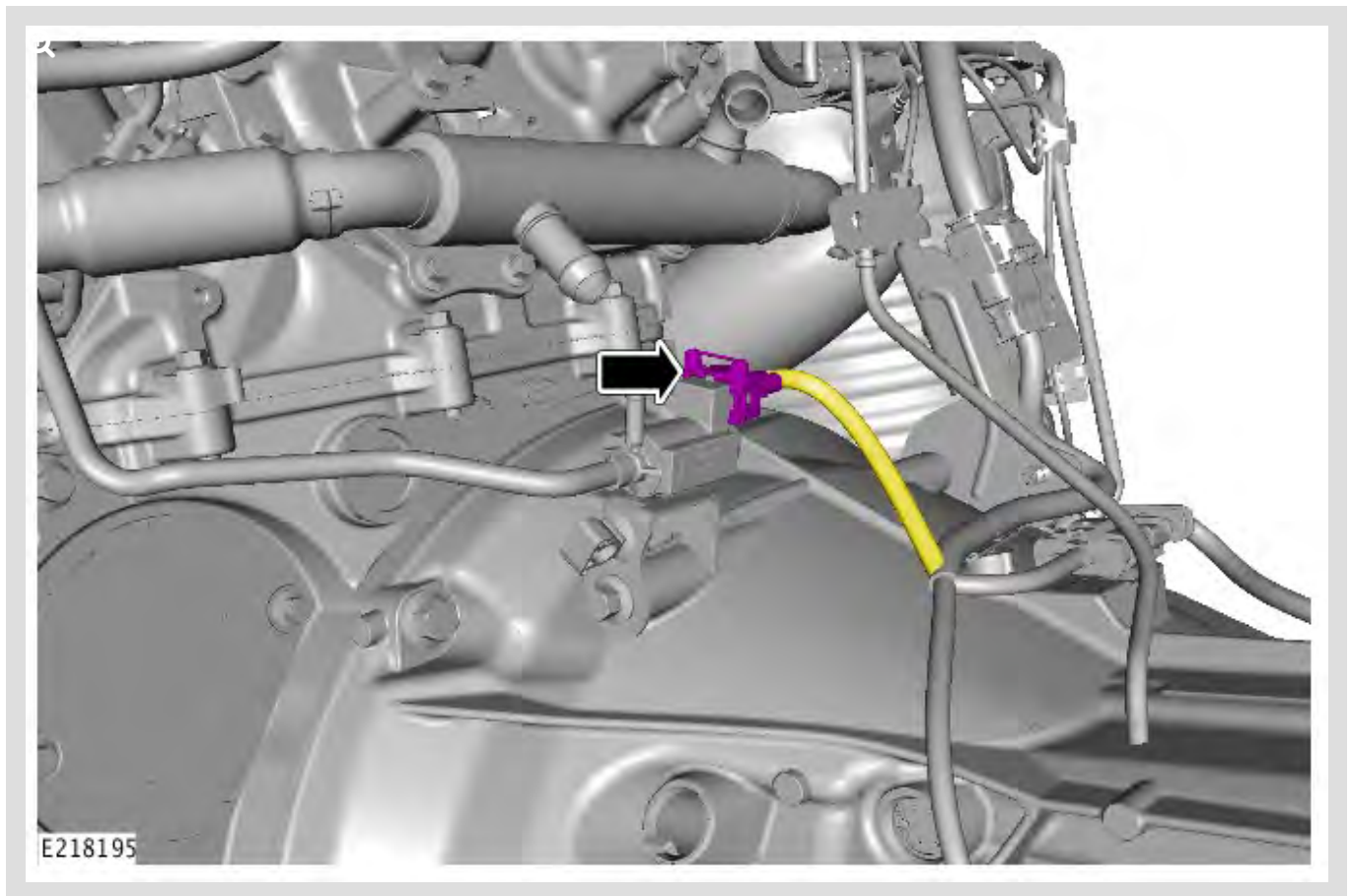


Release the park release cable move to the side.

5

 **NOTE:**

Some components are shown removed for clarity.

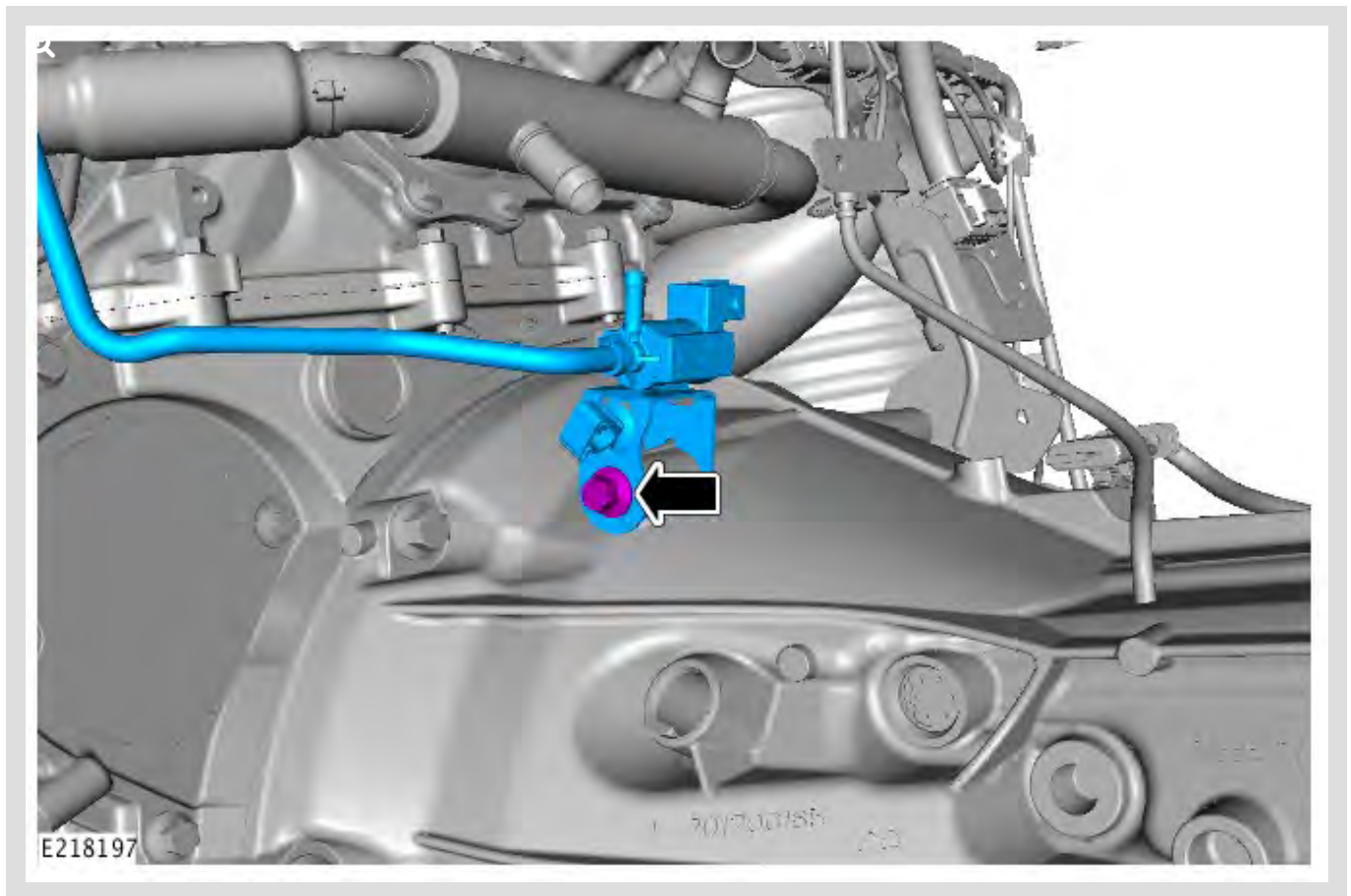


Disconnect the electrical connector.

6

NOTES:

- Some components are shown removed for clarity.
- Do not discard the fastener.

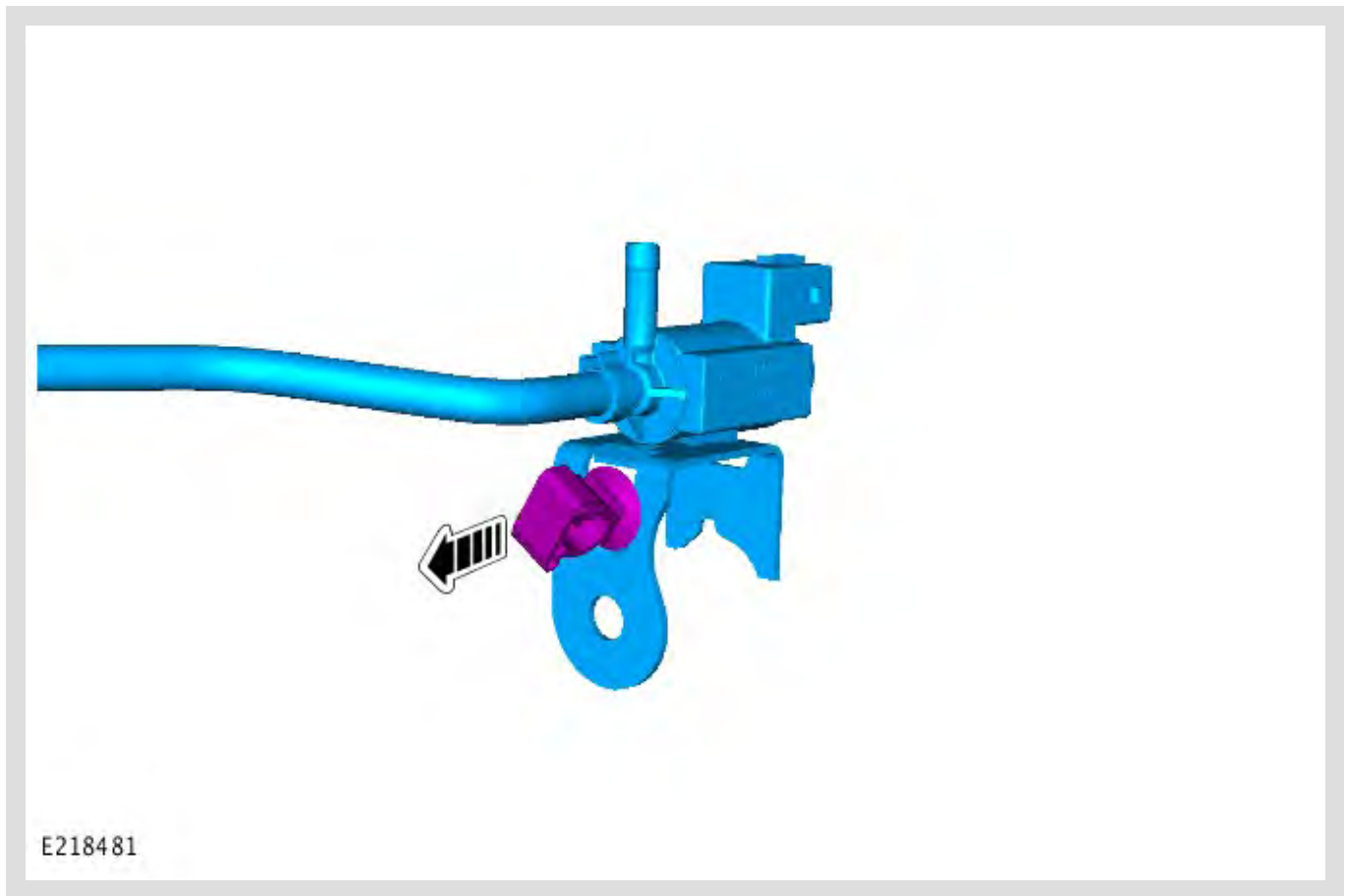


Remove the engine mounting vacuum control solenoid and do not discard the fastener.

7

NOTES:

- Some components are shown removed for clarity.
- If equipped.
- Do not discard the fastener.

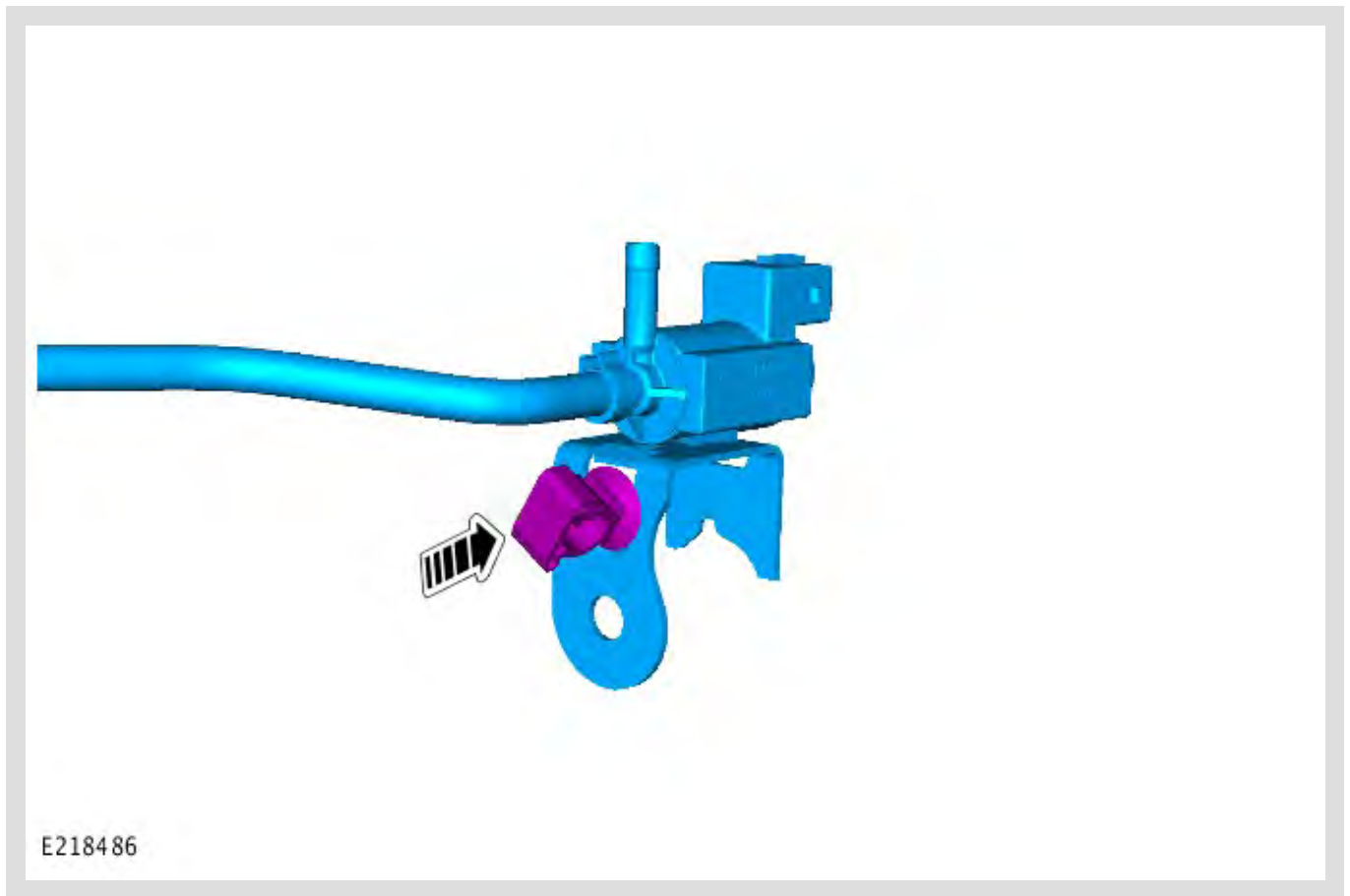


Remove the fastener from the mounting bracket and do not discard the fastener.

8

 **NOTES:**

- Some components are shown removed for clarity.
- If equipped.

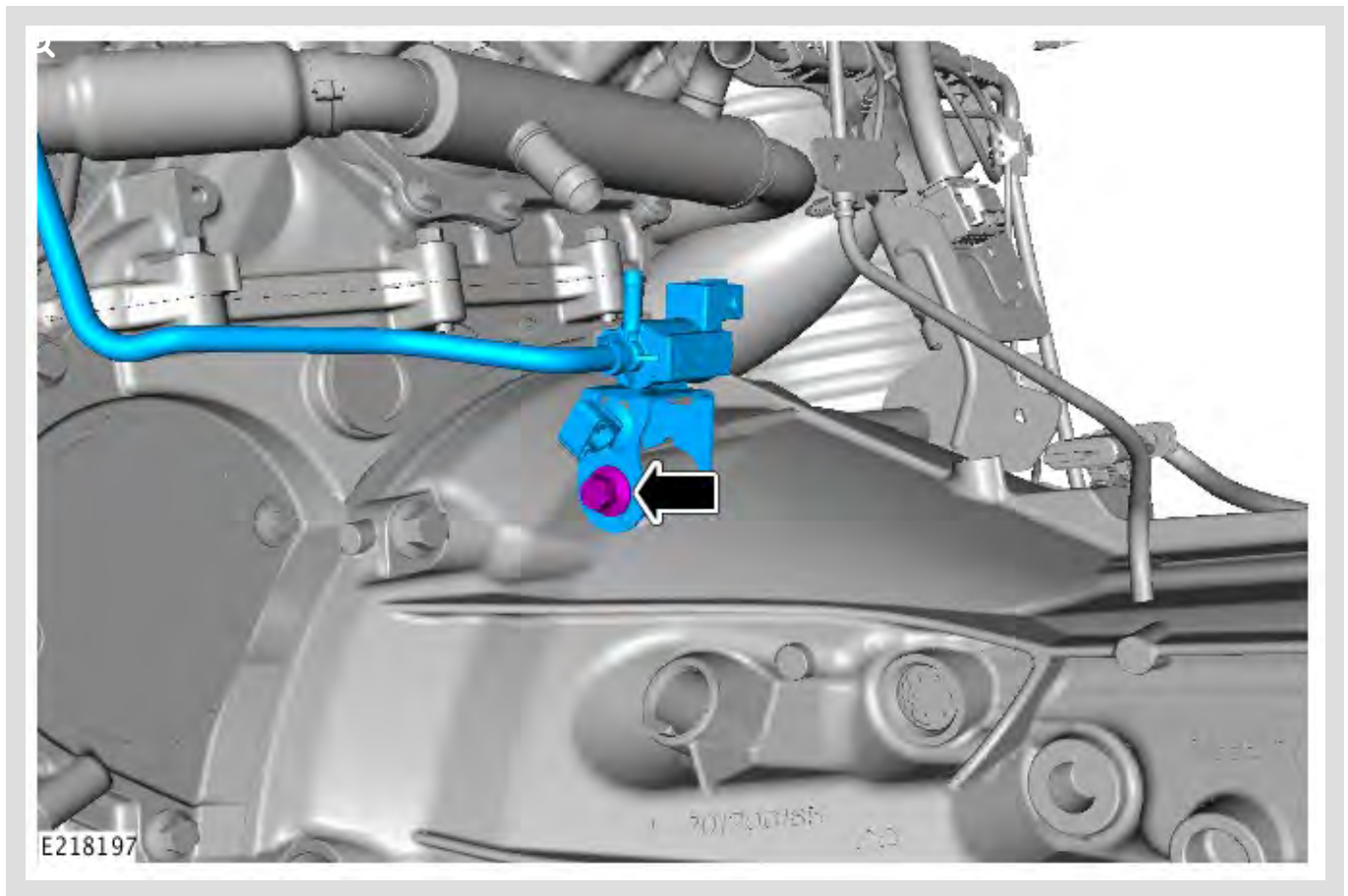


Install the fastener from the original mounting bracket to the new mounting bracket.

9

 **NOTES:**

- Some components are shown removed for clarity.
- Use the fastener from Step 6.

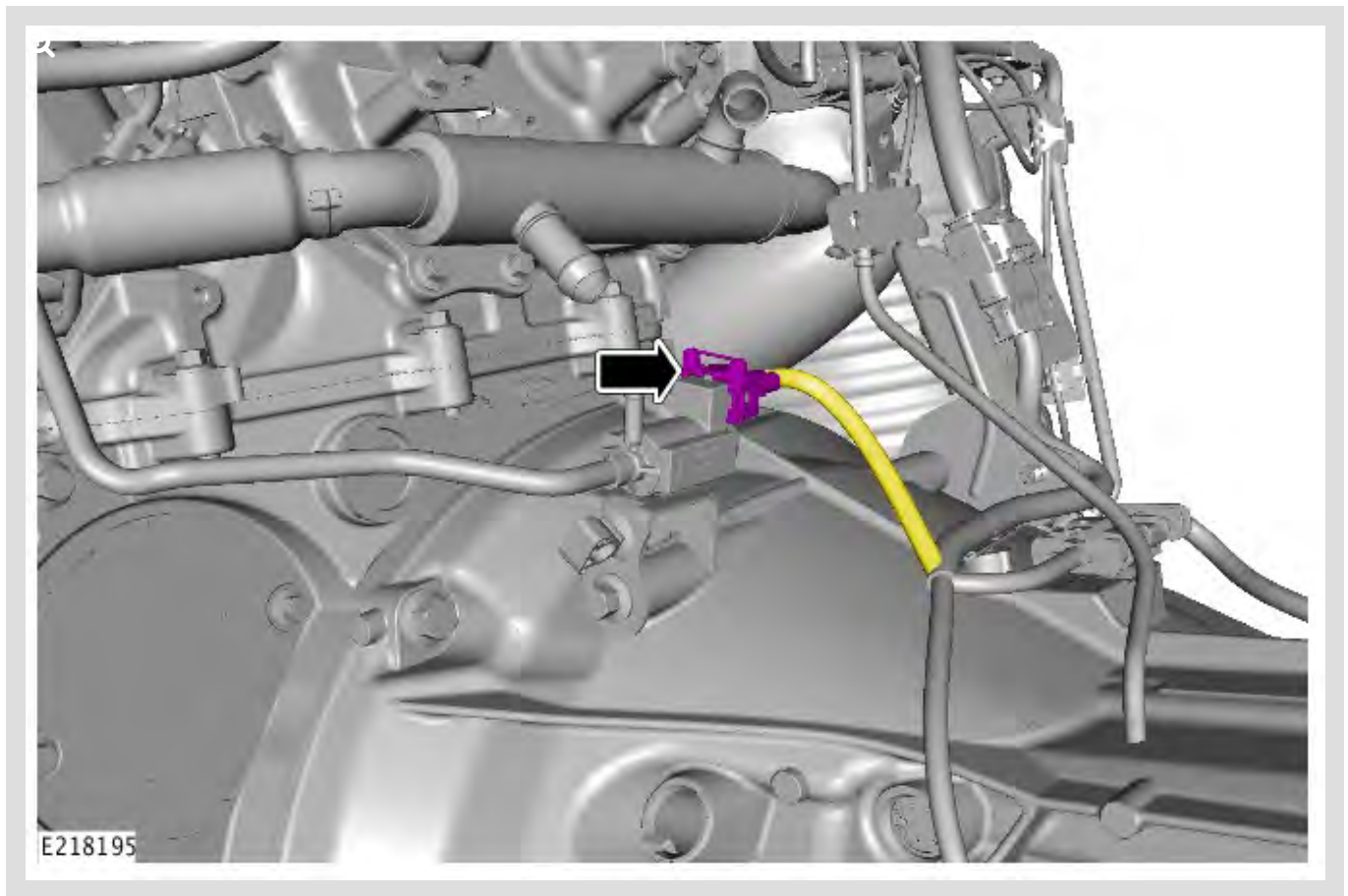


Install the engine mounting vacuum control solenoid.

10

NOTE:

Some components are shown removed for clarity.

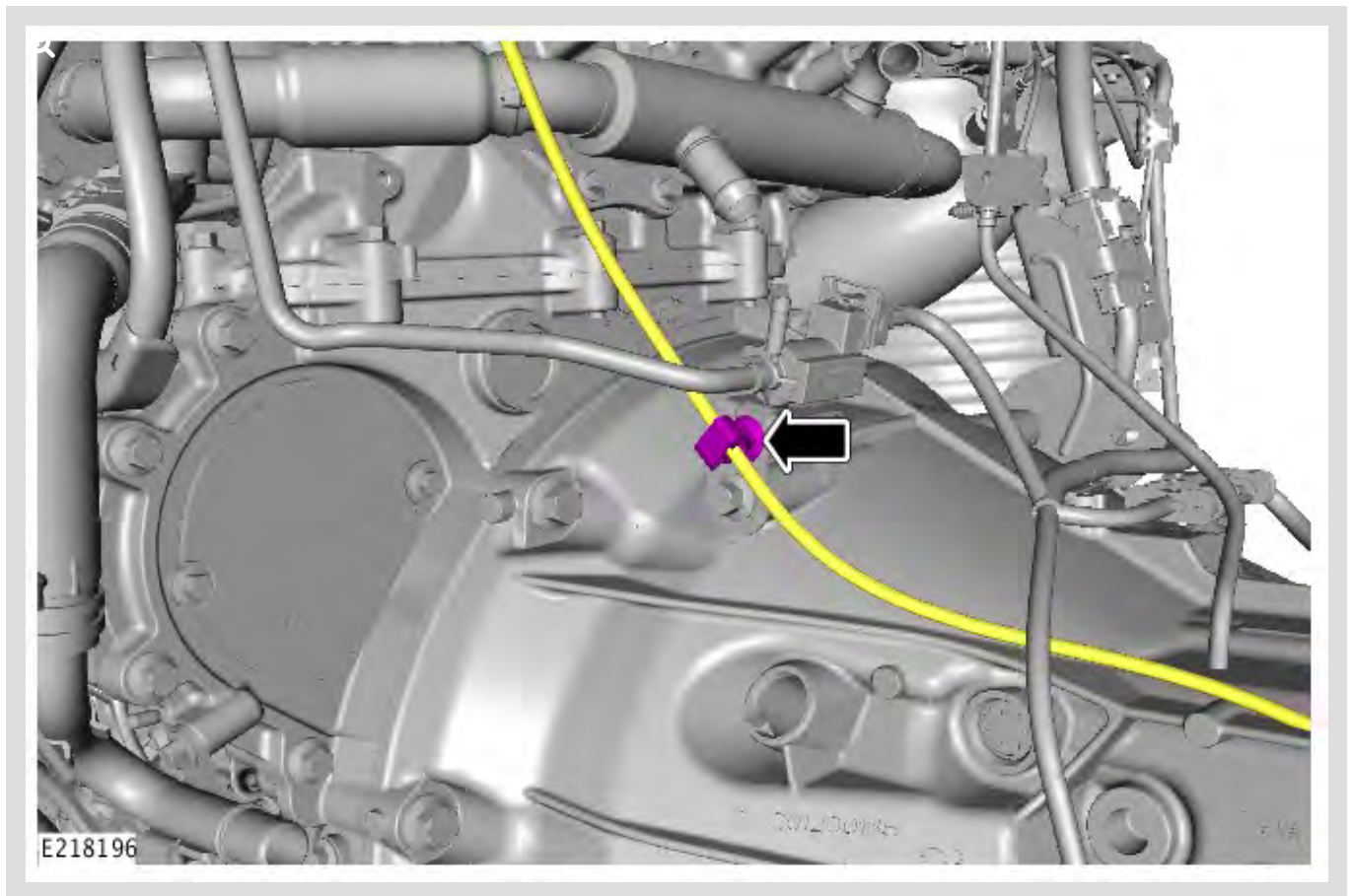


Connect the electrical connector.

11

NOTES:

- Some components are shown removed for clarity.
- If equipped.

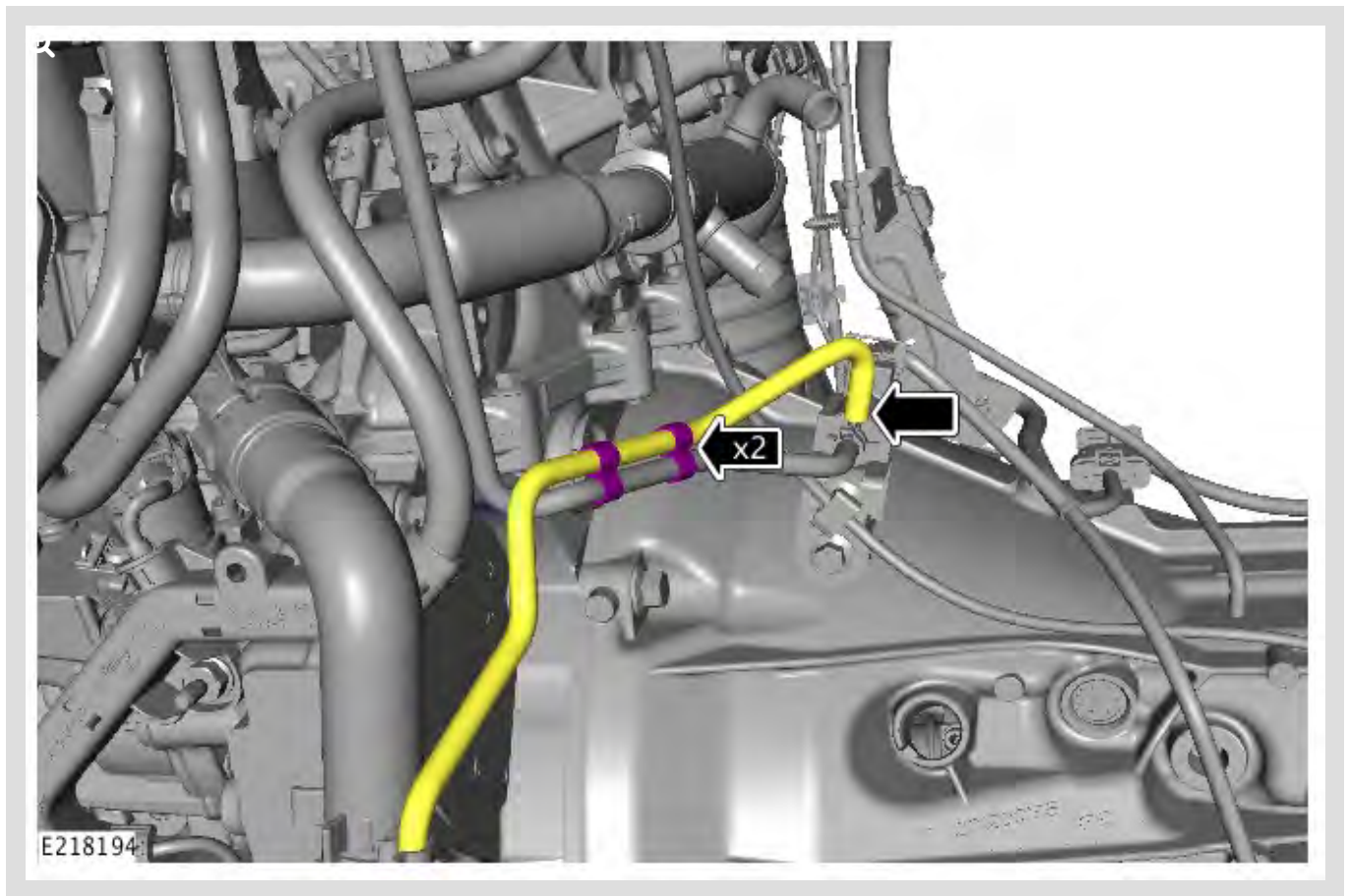


Install the park release cable.

12

NOTES:

- Some components are shown removed for clarity.
- Use the fasteners from Step 3.

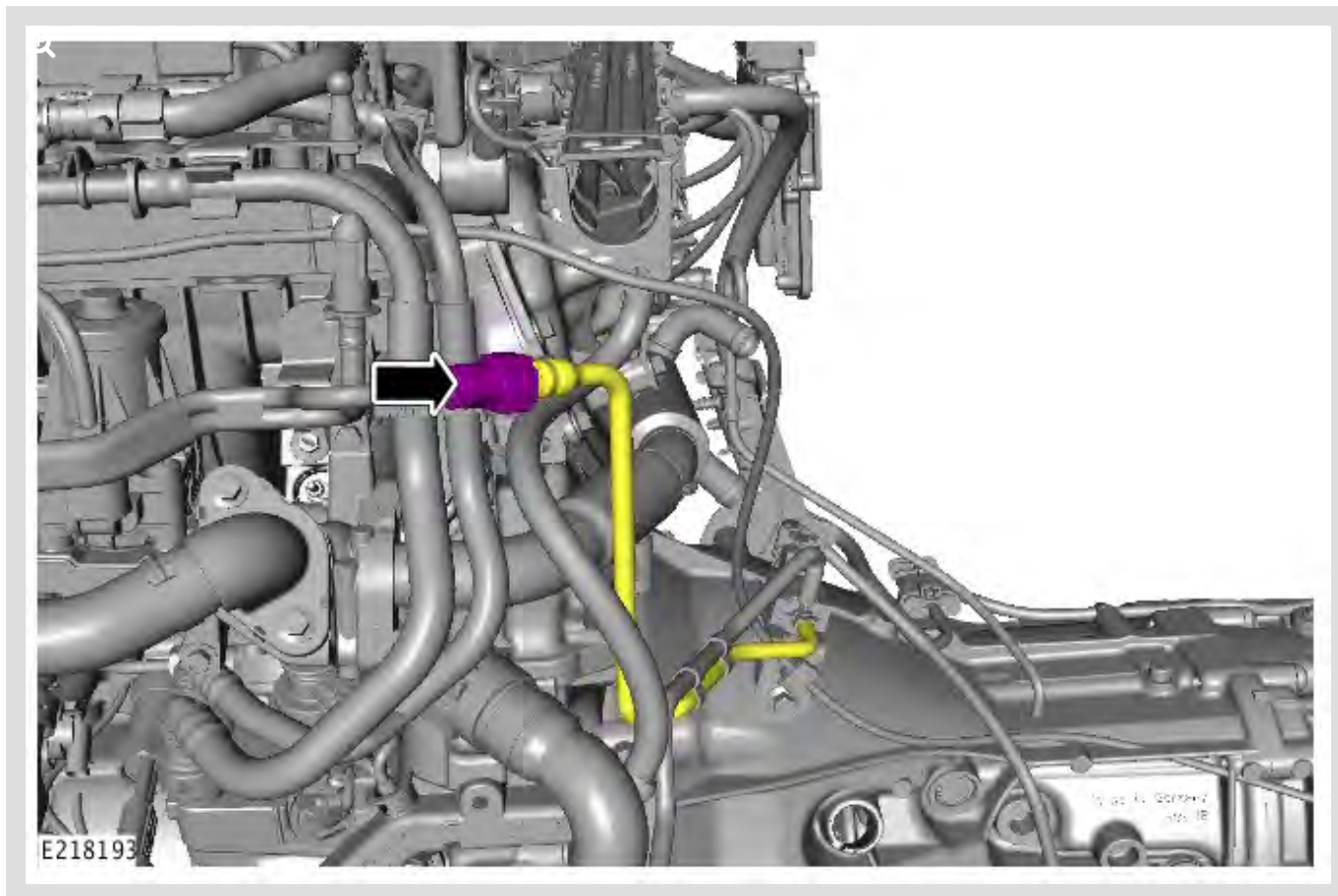


Install the vacuum hose.

13

NOTE:

Some components are shown removed for clarity.



Install the vacuum hose.

14 Close the hood.