



LTB01179NAS1

TECHNICAL BULLETIN

21 JUN 2018

© Jaguar Land Rover North America, LLC

NOTE: The information in Technical Bulletins is intended for use by trained, professional Technicians with the knowledge, tools, and equipment required to do the job properly and safely. It informs these Technicians of conditions that may occur on some vehicles, or provides information that could assist in proper vehicle service. The procedures should not be performed by 'do-it-yourselfers'. If you are not a Retailer, do not assume that a condition described affects your vehicle. Contact an authorized Land Rover service facility to determine whether this bulletin applies to a specific vehicle.

INFORMATION

SECTION:

501-03: Body Closures

SUBJECT/CONCERN:

Click Noise When Opening/Closing Front/Rear Door

AFFECTED VEHICLE RANGE:

MODEL:	MODEL YEAR:	VIN:	ASSEMBLY PLANT:
LR4 (LA)	2010-2016	516596-847658	Solihull

MARKETS:

NORTH AMERICA

CONDITION SUMMARY:**SITUATION:**

A click type noise may be heard when opening/closing a front and/or rear door.

CAUSE:

This may be caused by the front and/or rear door check arms being contaminated with dust/sand.

ACTION:

Should a customer express a concern, follow the appropriate Workshop Procedure below.

PARTS:

PART NUMBER	DESCRIPTION	QUANTITY
BDH780070	Door check arm	Up to 4
BFM500020	Door check arm cover	Up to 4

WARRANTY:**△ NOTES:**

- Repair procedures are under constant review, and therefore times are subject to change; those quoted here must be taken as guidance only. Always refer to JLR claims submission system to obtain the latest repair time.
- The JLR Claims Submission System requires the use of causal part numbers. Labor only claims must show the causal part number with a quantity of zero.

DESCRIPTION	SRO	TIME (HOURS)	CONDITION CODE	CAUSAL PART
-------------	-----	--------------	----------------	-------------

DESCRIPTION	SRO	TIME (HOURS)	CONDITION CODE	CAUSAL PART
Check Arm - Front Door - Each - Replace	76.40.64	0.5	41	BDH780070
Check Arm - Front Door - Pair - Replace	76.40.65	0.9	41	BDH780070
Check Arm - Rear Door - Each - Replace	76.40.66	0.4	41	BDH780070
Check Arm - Rear Door - Pair - Replace	76.40.67	0.7	41	BDH780070

 **NOTE:**

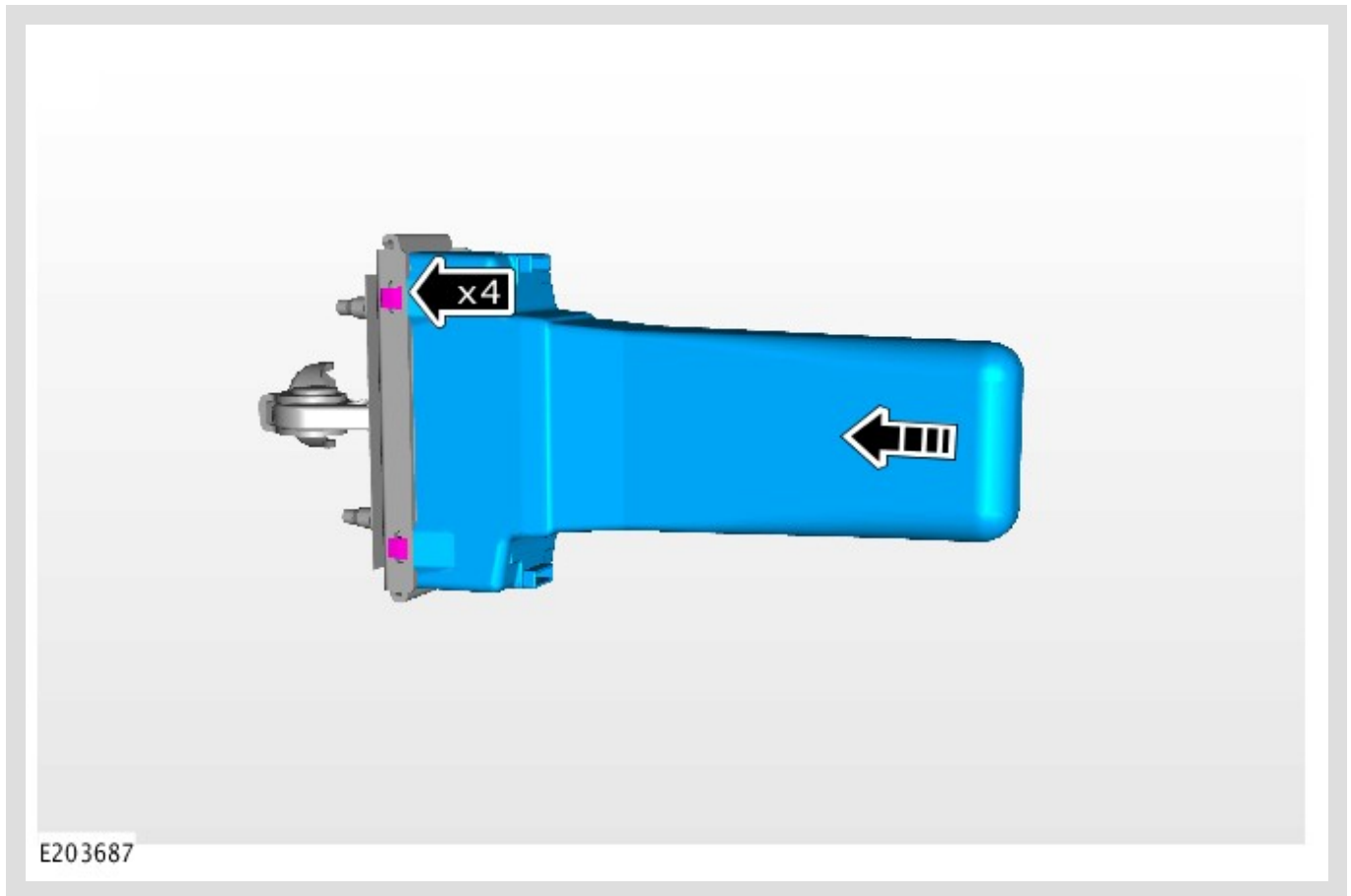
Normal Warranty procedures apply.

WORKSHOP PROCEDURE 'A': FRONT DOOR

Perform this Workshop Procedure only for a customer concern of a click noise when opening/closing a front door.

- 1 Remove and discard the affected front door check arm (see TOPIx Workshop Manual section 501-03: Body Closures - Removal and Installation - Front Door Check Arm - Removal steps 1-6).

2



Install the new door check arm cover to the new front door check arm as shown.

- 3 Install the new front door check arm (see TOPIx Workshop Manual section 501-03: Body Closures - Removal and Installation - Front Door Check Arm - Installation steps 1-5).

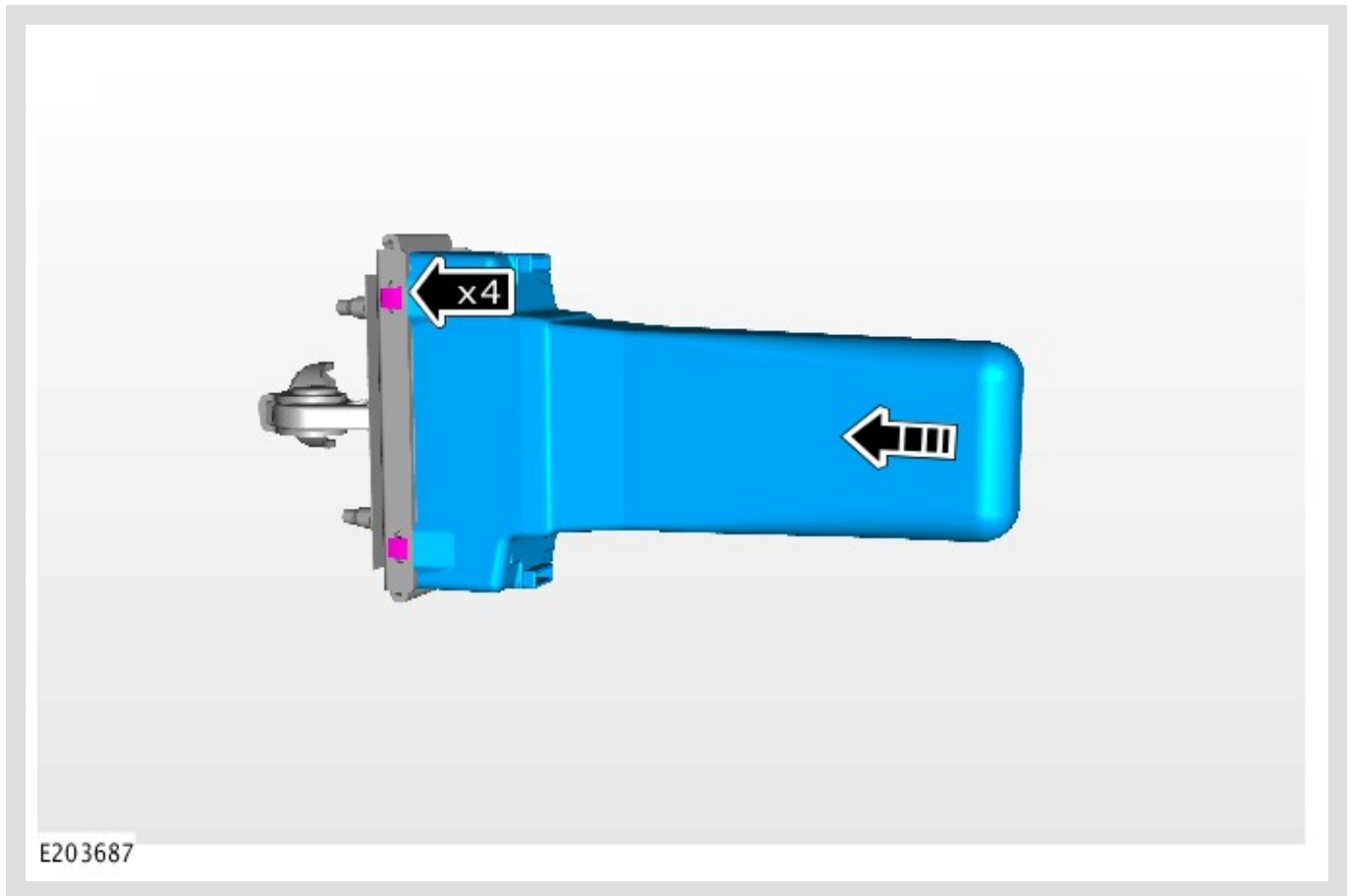
- 4 **Only if required:** repeat steps 1-3 for the other front door.

WORKSHOP PROCEDURE 'B': REAR DOOR

Perform this Workshop Procedure only for a customer concern of a click noise when opening/closing a rear door.

- 1 Remove and discard the affected rear door check arm (see TOPIx Workshop Manual section 501-03: Body Closures - Removal and Installation - Rear Door Check Arm - Removal steps 1-5).

2



Install the new door check arm cover to the new rear door check arm as shown.

3 Install the new rear door check arm (see TOPIx Workshop Manual section 501-03: Body Closures - Removal and Installation - Rear Door Check Arm - Installation steps 1-4).

4 **Only if required:** repeat steps 1-3 for the other rear door.