



LTB01198NAS1

# TECHNICAL BULLETIN

06 JUN 2018

© Jaguar Land Rover North America, LLC

NOTE: The information in Technical Bulletins is intended for use by trained, professional Technicians with the knowledge, tools, and equipment required to do the job properly and safely. It informs these Technicians of conditions that may occur on some vehicles, or provides information that could assist in proper vehicle service. The procedures should not be performed by 'do-it-yourselfers'. If you are not a Retailer, do not assume that a condition described affects your vehicle. Contact an authorized Land Rover service facility to determine whether this bulletin applies to a specific vehicle.

## INFORMATION

## SECTION:

501-03: Body Closures

## SUBJECT/CONCERN:

Hands-Free Tailgate Unintentionally Opening

## AFFECTED VEHICLE RANGE:

MODEL:	MODEL YEAR:	VIN:	ASSEMBLY PLANT:
Discovery Sport (LC)	2016 Onwards	544577 Onwards	Halewood

## MARKETS:

NORTH AMERICA

## CONDITION SUMMARY:

**This issue affects vehicles with Hands-Free Tailgate only.**

### SITUATION:

The Hands-Free Tailgate may unintentionally open when the vehicle is stationary and the key is in range.

### CAUSE:

This may be caused by incorrectly routed Hands-Free Tailgate module wiring.

### ACTION:

Should a customer express this concern, refer to the Service Instruction and then follow the Workshop Procedure below.

## WARRANTY:

### NOTE:

Hands-Free Tailgate may also be referred to as Gesture Tailgate.

### NOTES:

- Repair procedures are under constant review, and therefore times are subject to change; those quoted here must be taken as guidance only. Always refer to JLR claims submission system to obtain the latest repair time.
- The JLR Claims Submission System requires the use of causal part numbers. Labor only claims must show the causal part number with a quantity of zero.

DESCRIPTION	SRO	TIME (HOURS)	CONDITION CODE	CAUSAL PART
-------------	-----	--------------	----------------	-------------

DESCRIPTION	SRO	TIME (HOURS)	CONDITION CODE	CAUSAL PART
Tailgate gesture control module - Inspect	86.26.89.38	0.1	43	LR072284
Tailgate gesture control module - Modify - Single	86.26.89.39	0.3	43	LR072284
Tailgate gesture control module - Modify - Pair	86.26.89.40	0.5	43	LR072284

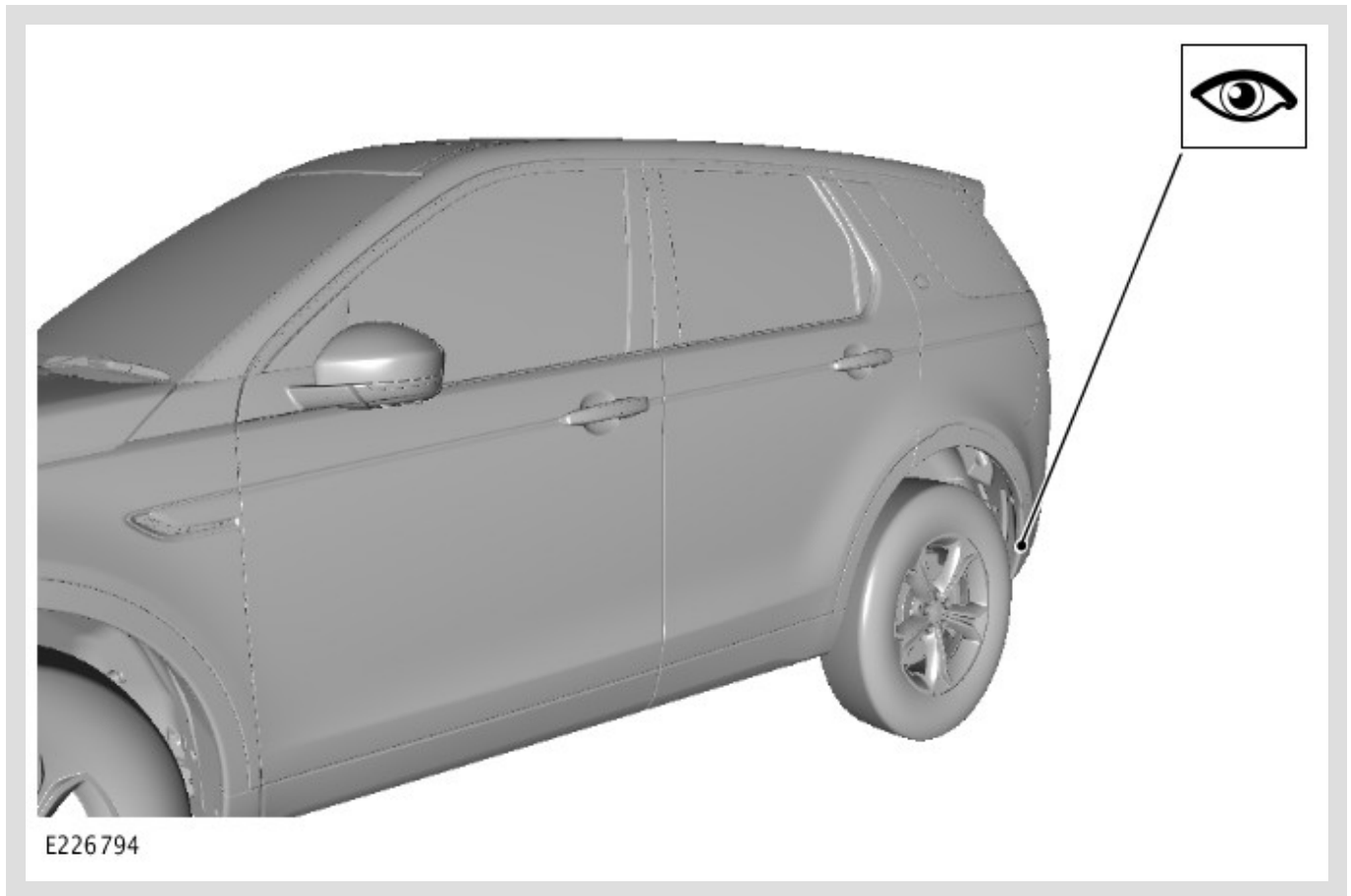
 **NOTE:**

Normal Warranty procedures apply.

**SERVICE INFORMATION:** **NOTE:**

Left-side shown; right-side similar.

1



Component location.

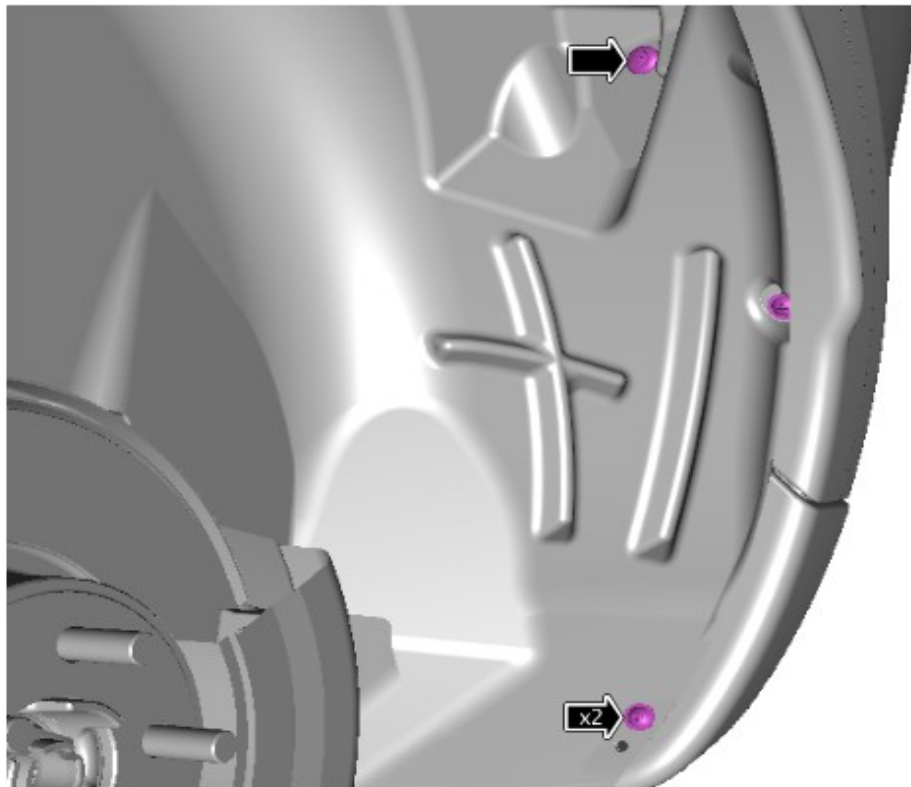
SERVICE INSTRUCTION:

 **NOTE:**

Left-side shown; right-side similar.

- 1 Raise and support the vehicle (see TOPIx Workshop Manual section 100-02: Jacking and lifting - Description and Operation - Lifting).

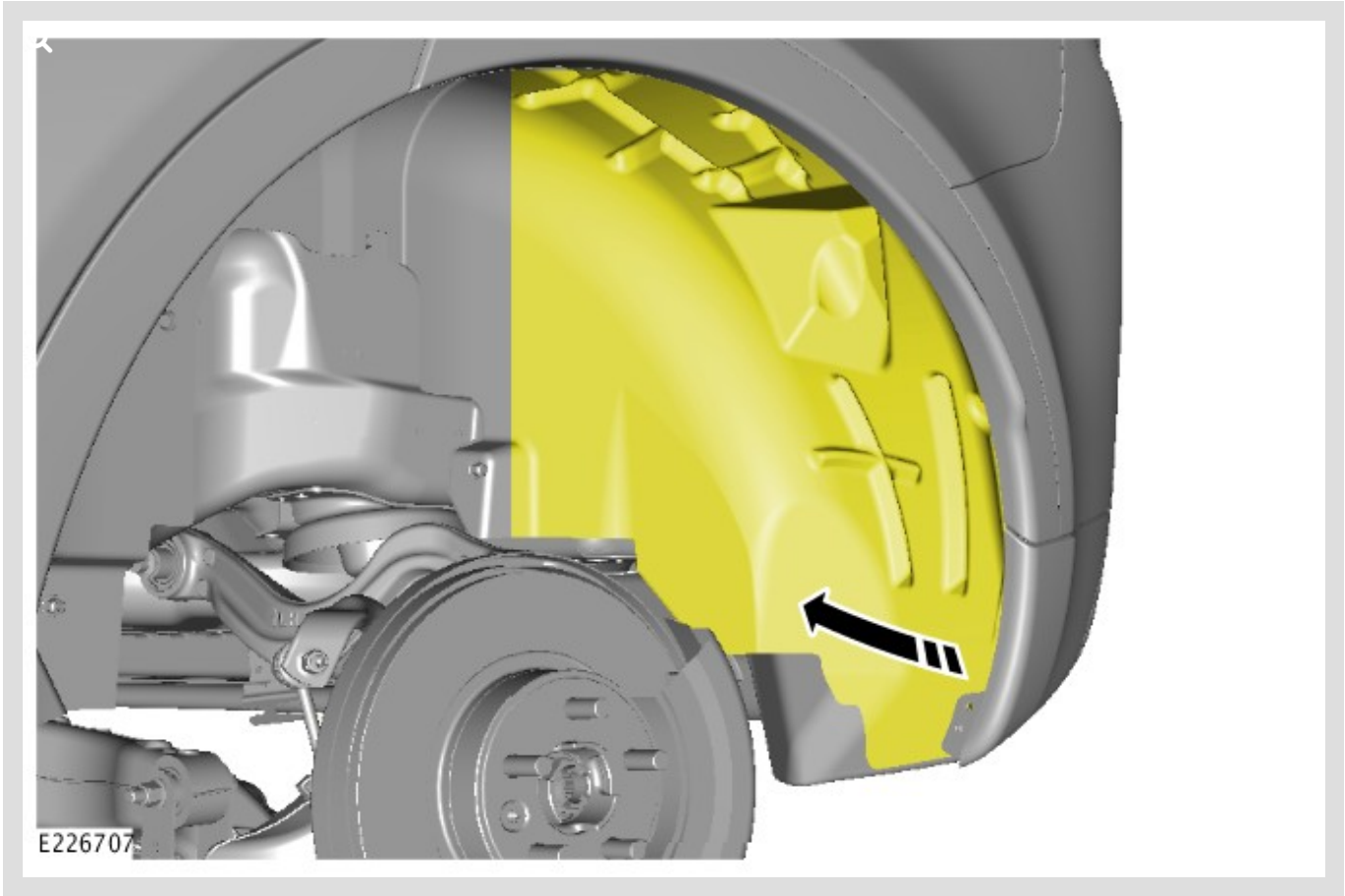
2



E226 706

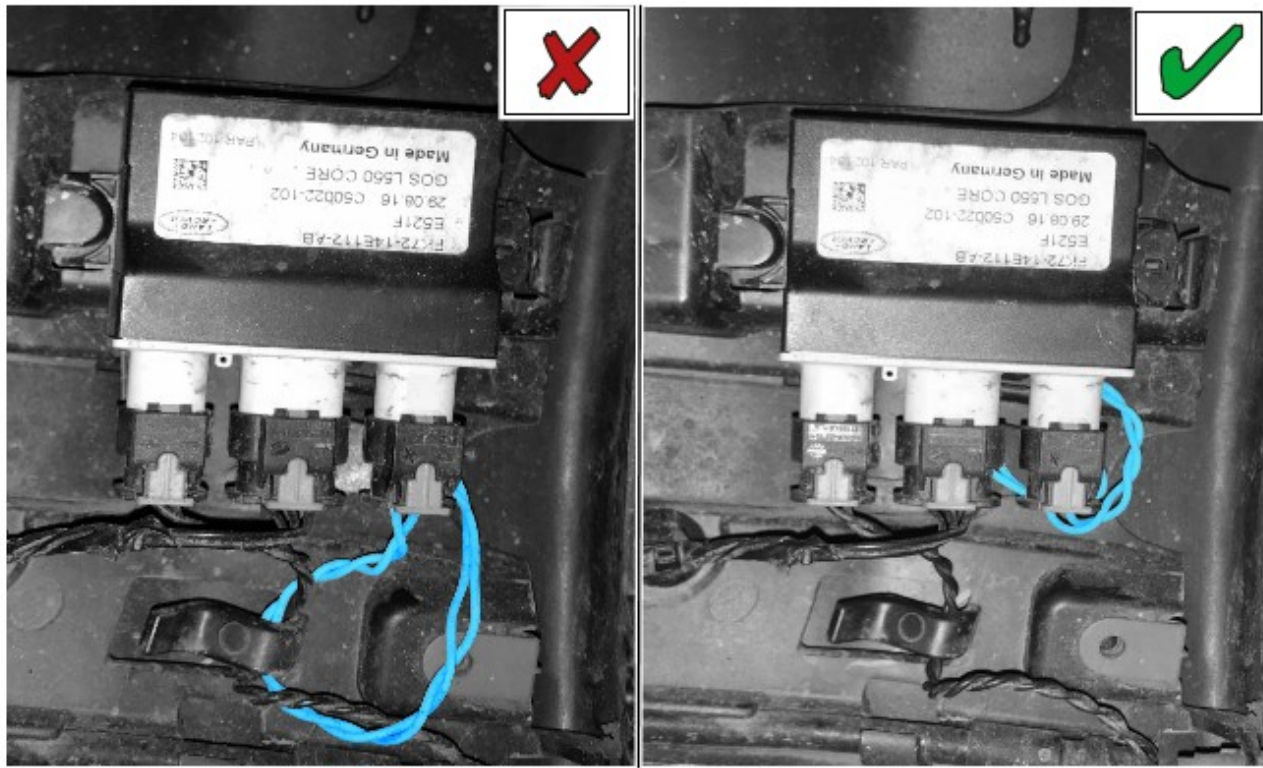
Remove the rear left wheel arch liner fasteners.

3



Move the rear left wheel arch liner for access.

4



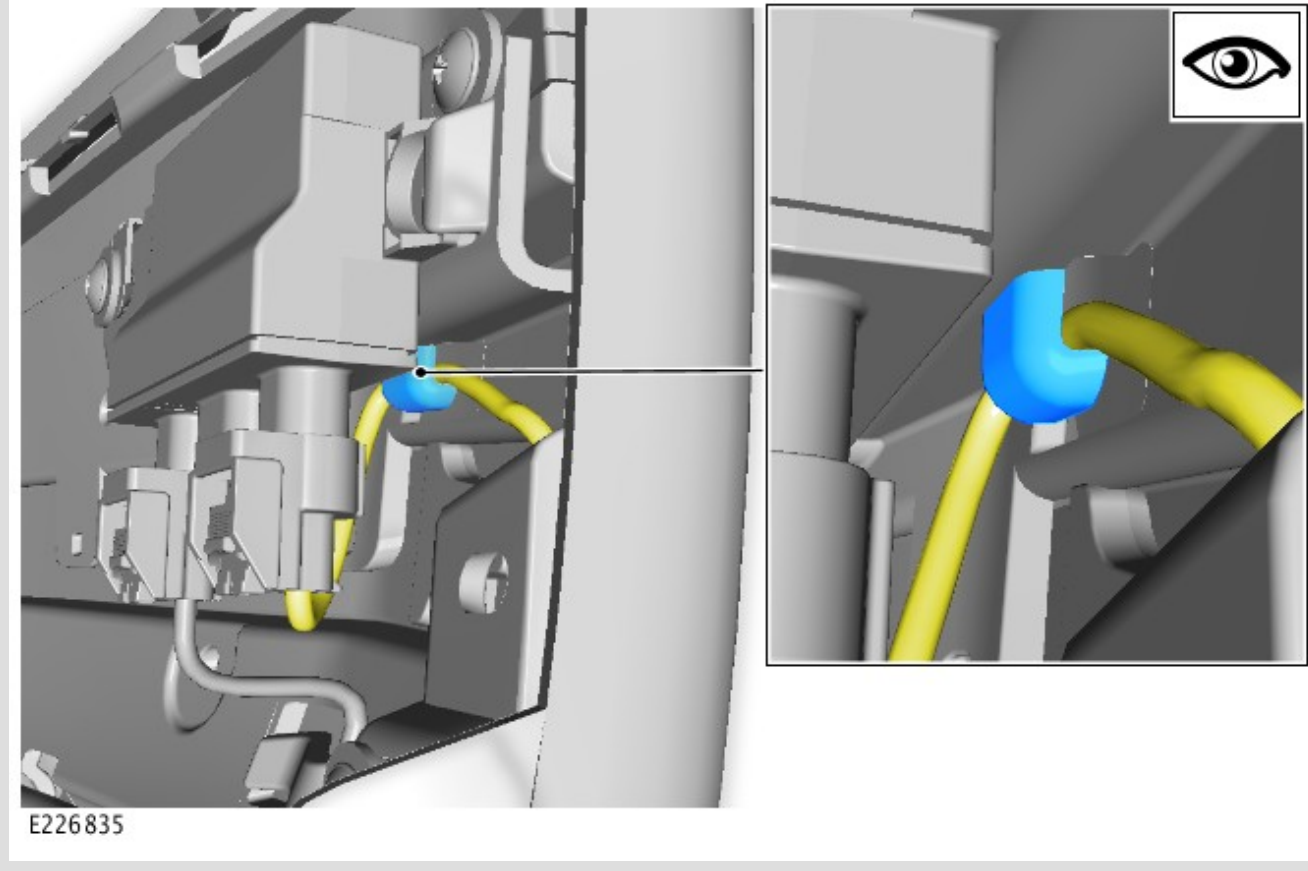
E226705

Inspect the left Hands-Free Tailgate module wiring.

- If the wiring is routed correctly [✓] as shown, go to Step 7.
- If the wiring is not routed correctly [✗] as shown, go to Step 5.

5

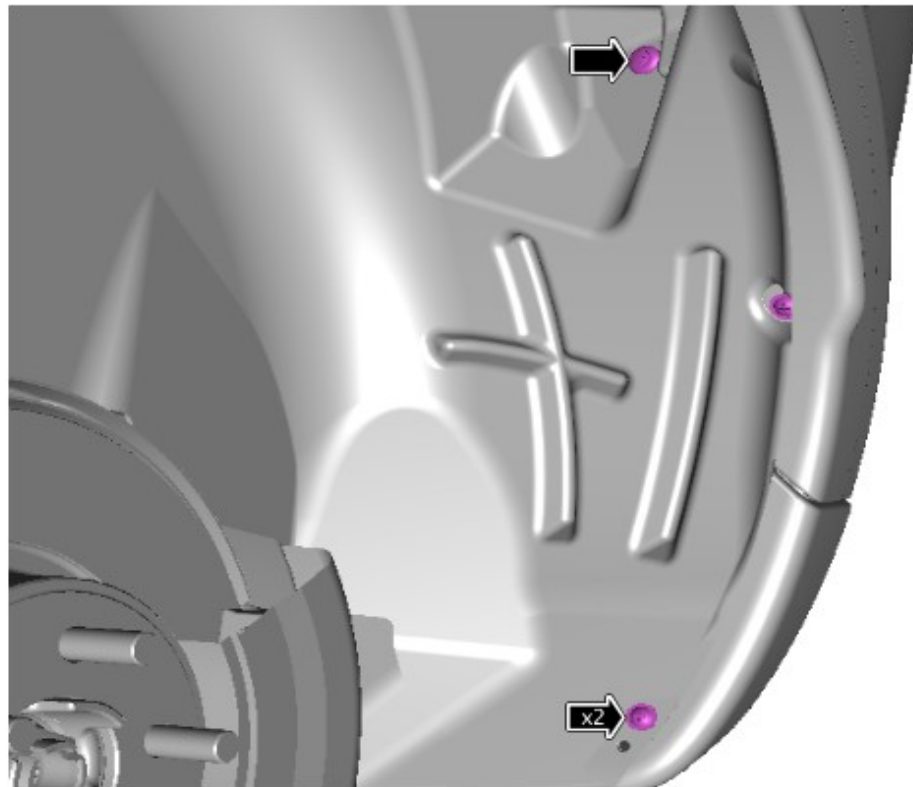
Remove the rear left wheel and tire (see TOPIx Workshop Manual section 204-04: Wheels and Tires - Removal and Installation).



Position the left Hands-Free Tailgate module wiring correctly as shown.



7



E226 706

Move the rear left wheel arch liner into position.

- 1 Install the fasteners.

---

8 Install the rear left wheel and tire (see TOPIx Workshop Manual section 204-04: Wheels and Tires - Removal and Installation).

---

9 Repeat steps 2-8 to the right-side of the vehicle.

- If the wiring is routed correctly [✓] on both sides of the vehicle, see TOPIx Workshop Manual section 501-03: Body Closures - Diagnosis and Testing - Tailgate for further diagnosis.

- 1 Once all tasks are completed, lower and release the vehicle.