



JTB00591NAS2

# TECHNICAL BULLETIN

22 AUG 2018

© Jaguar Land Rover North America, LLC

NOTE: The information in Technical Bulletins is intended for use by trained, professional Technicians with the knowledge, tools, and equipment required to do the job properly and safely. It informs these Technicians of conditions that may occur on some vehicles, or provides information that could assist in proper vehicle service. The procedures should not be performed by 'do-it-yourselfers'. If you are not a Retailer, do not assume that a condition described affects your vehicle. Contact an authorized Jaguar service facility to determine whether this bulletin applies to a specific vehicle.

## INFORMATION

This reissue replaces all previous versions. Please destroy all previous versions.

Changes are highlighted in blue

## SECTION:

501-10

## SUBJECT/CONCERN:

Front Seat Bolster Wear - Light Oyster Leather Only

## AFFECTED VEHICLE RANGE:

MODEL:	MODEL YEAR:	VIN:
F-PACE (X761)	2017 Onwards	045068 Onwards

MODEL:	MODEL YEAR:	VIN:
XE (X760)	2017	921222-979442
XE (X760)	2017 Onwards	P10168 Onwards
XF (X260)	2016 Onwards	Y00461 Onwards

## MARKETS:

NORTH AMERICA

## CONDITION SUMMARY:

## SITUATION:

The front row seat backrest cover(s) and/or cushion cover(s) may exhibit premature cosmetic wear. This affects only vehicles with Light Oyster color seat trim.

## CAUSE:

This may be caused by poor durability of the leather coating.

## ACTION:

Should a customer express concern, follow the Workshop Procedure below.

## PARTS:

PART NUMBER	DESCRIPTION	QUANTITY
T2H5891	Hog ring	90
T2H37048LKP	Windsor Perforated - Light Oyster - Left - Hybrid Backrest Cover - Climate	1
T2H37049LKP	Windsor Perforated - Light Oyster - Right - Hybrid Backrest Cover - Climate	1
T2H37050LKP	Windsor Perforated - Light Oyster - Left - Hybrid Backrest Cover - Non-Climate	1
T2H37051LKP	Windsor Perforated - Light Oyster - Right - Hybrid Backrest Cover - Non-Climate	1

PART NUMBER	DESCRIPTION	QUANTITY
T2H37052LKP	Windsor Perforated - Light Oyster - Left - Hybrid Cushion Cover - Climate	1
T2H37053LKP	Windsor Perforated - Light Oyster - Right - Hybrid Cushion Cover - Climate	1
T2H37054LKP	Windsor Perforated - Light Oyster - Left - Hybrid Cushion Cover - Non-Climate	1
T2H37055LKP	Windsor Perforated - Light Oyster - Right - Hybrid Cushion Cover - Non-Climate	1
T2H37056LKP	Windsor Perforated - Light Oyster - Left Backrest - Hybrid Cover - Climate - Cushion Extension	1
T2H37057LKP	Windsor Perforated - Light Oyster - Right Backrest - Hybrid Cover - Climate - Cushion Extension	1
T2H37058LKP	Windsor Perforated - Light Oyster - Left Backrest - Hybrid Cover - Non-Climate - Cushion Extension	1
T2H37059LKP	Windsor Perforated - Light Oyster - Right Backrest - Hybrid Cover - Non-Climate - Cushion Extension	1
T4A29165LKP	Houndstooth - Light Oyster - Left - Hybrid Backrest Cover	1
T4A29166LKP	Houndstooth - Light Oyster - Right - Hybrid Backrest Cover	1
T4A29167LKP	Houndstooth - Light Oyster - Left - Hybrid Cushion Cover	1
T4A29168LKP	Houndstooth - Light Oyster - Right - Hybrid Cushion Cover	1

## TOOLS:

Refer to Workshop Manual for any required special tools.

## WARRANTY:

## NOTES:

- Repair procedures are under constant review, and therefore times are subject to change; those quoted here must be taken as guidance only. Always refer to JLR claims submission system to obtain the latest repair time.

- The JLR Claims Submission System requires the use of causal part numbers. Labor only claims must show the causal part number with a quantity of zero.

DESCRIPTION	SRO	TIME (HOURS)	CONDITION CODE	CAUSAL PART
Front seat backrest cover - Renew - Pair	76.70.15.01	2.4	30	T2H16224PVJ
Front seat cushion cover - Renew - Pair	76.70.33.01	1.8	30	T2H16224PVJ

 **NOTE:**

Normal Warranty procedures apply.

**INSPECTION PROCEDURE:**

1

 **NOTES:**

Oyster Windsor **(1)**; Oyster Houndstooth **(2)**.

If premature cosmetic wear is visible on any of the front row seat cushion and/or backrest covers, the front row seat cushion and backrest covers **must** be renewed on **both** front row seats.



E230171



Inspect the front row seat cushion and backrest covers for premature cosmetic wear.

- If there is any premature cosmetic wear visible on any of the front row seat cushion covers and/or front row seat backrest covers, continue to the Workshop Procedure below.
- If there is not any premature cosmetic wear visible on any of the front row seat cushion covers and/or front row seat backrest covers, do not continue with this Technical Bulletin; the customer concern does not relate to its content.

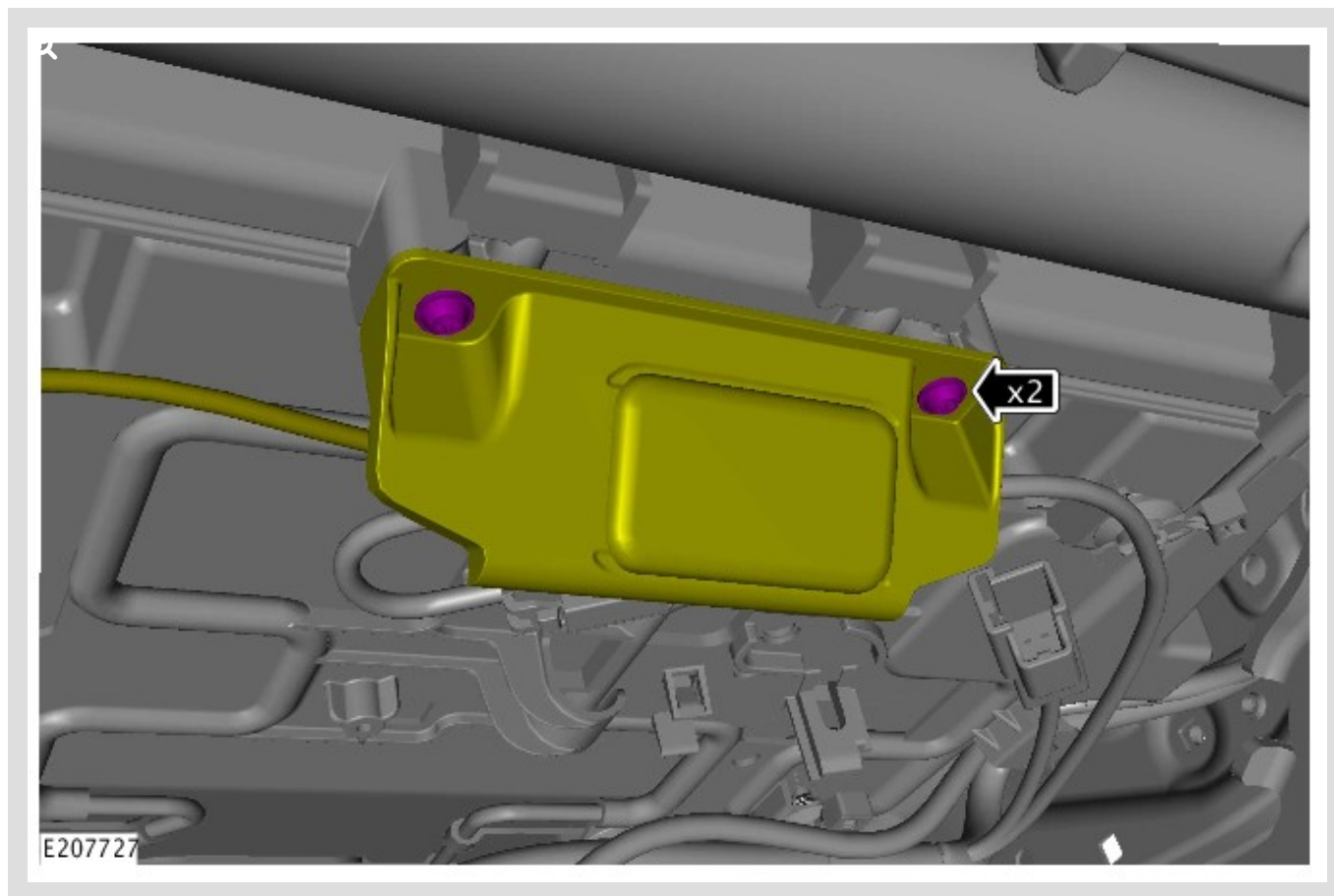
#### WORKSHOP PROCEDURE:

- 1 Remove the front left and right seats (see TOPIx Workshop Manual section 501-10: Removal and Installation - Front Row Seat).

2

#### NOTES:

- If installed.
- If installed: repeat this step on both front left and right seats.



Release the under seat light.

3

**NOTE:**

Repeat this step on both front left and right seats.

Renew the front seat cushion (see TOPIx Workshop Manual section 501-10: Seating - Removal and Installation - Front Row Seat Cushion Cover).

- 1 Do not install the front seat after replacing the front seat cushion cover.
- 2 Go to Step 4.

4

**NOTE:**

Repeat this step on both front left and right seats.

Renew the front seat backrest cover (see TOPIx Workshop Manual section 501-10: Seating - Removal and Installation - Front Row Seat Backrest).

- 
- 5 Install the front left and right seats (see TOPIx Workshop Manual section 501-10: Seating - Front Row Seat).