

# Rear License Plate Installation During PDS

**Service Category** General

**Section** Pre-Delivery Service

**Market** USA

Toyota Supports  
 ASE Certification 

## Applicability

YEAR(S)	MODEL(S)	ADDITIONAL INFORMATION
2019	Corolla Hatchback	

## Introduction

The rear license plate and two self-tapping screws for the 2019 model year Corolla Hatchback are stored in the luggage compartment of the vehicle. Install the rear license plate during Pre-Delivery Service (PDS).

## Warranty Information

OP CODE	DESCRIPTION	TIME	OFF	T1	T2
N/A	Not Applicable to Warranty	-	-	-	-

## Rear License Plate Installation During PDS

### Rear License Plate Installation

1. Align the installation holes of the rear license plate with the dimples on the rear bumper.
2. Install two self-tapping screws through the rear license plate and into the rear bumper at the dimples.

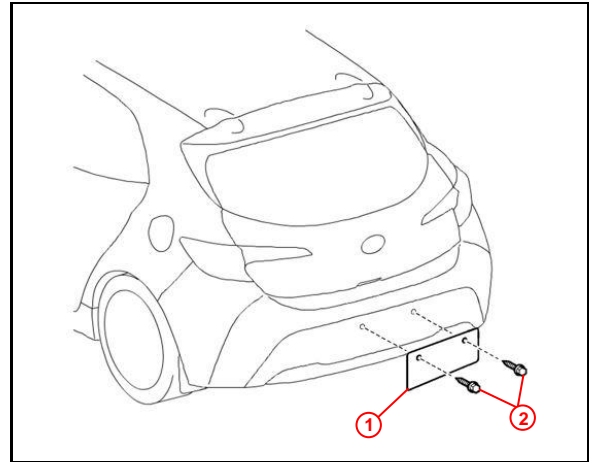
**NOTICE**

- Do NOT drill holes into the bumper.
- Do NOT overtighten the screws.

Use two noncorroding self-tapping screws with the following dimensions.

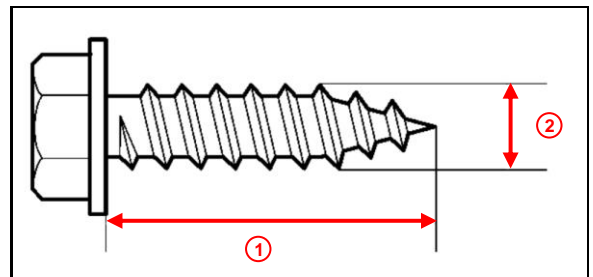
**Nominal Length:** 16.0 – 20.0 mm  
(0.625 – 0.79 in.)  
**Diameter:** 6.0 mm (0.24 in.)

**Figure 1.**



1	License Plate
2	Self-tapping Screw

**Figure 2.**



1	Nominal Length
2	Diameter