



Technical Service Bulletin

SUBJECT:			No: TSB-18-42A-002
TORQUE UPDATES: DOOR WINDOW GLASS & POWER WINDOW REGULATOR - SERVICE MANUAL REVISION			DATE: September 2018
			MODEL: See below
CIRCULATE TO:	<input type="checkbox"/> GENERAL MANAGER	<input checked="" type="checkbox"/> PARTS MANAGER	<input checked="" type="checkbox"/> TECHNICIAN
<input checked="" type="checkbox"/> SERVICE ADVISOR	<input checked="" type="checkbox"/> SERVICE MANAGER	<input checked="" type="checkbox"/> WARRANTY PROCESSOR	<input type="checkbox"/> SALES MANAGER

PURPOSE

This TSB updates the Body section of the affected Service Manuals to correct the tightening torque of the door window glass and power window regulator fixing bolts.

AFFECTED VEHICLES

- 2014, 2015, 2017, 2018 Mirage
- 2017-2018 Mirage G4

AFFECTED SERVICE MANUAL

- 2014, 2015, 2017 & 2018 Mirage Service Manual, Group 42 - Body
- 2017-2018 Mirage G4 Service Manual, Group 42 - Body

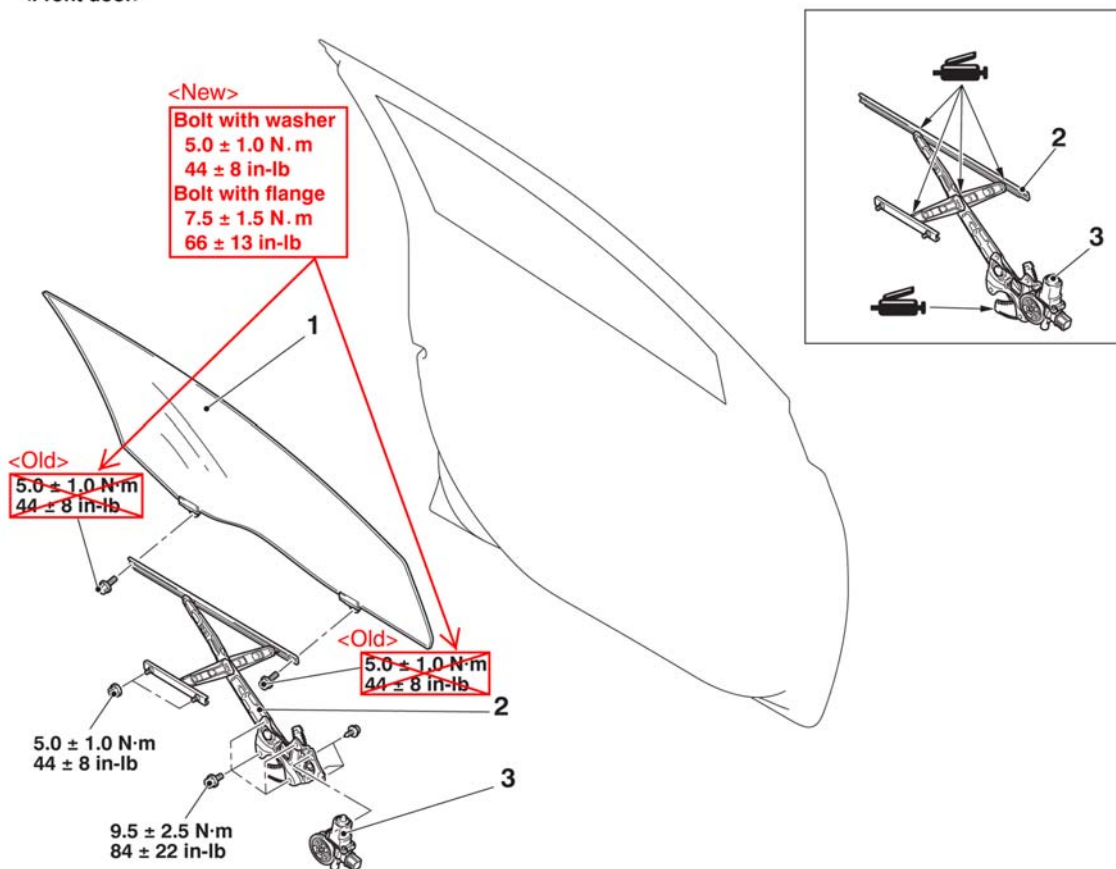


Please make the indicated changes to the 2014, 2015, 2017 & 2018 Mirage Service Manual, Group 42 – Body –> 42A – Door –> Door Glass and Regulator –> Removal and Installation.

DOOR GLASS AND REGULATOR REMOVAL AND INSTALLATION

<p>Pre-removal operation</p> <ul style="list-style-type: none"> • Door trim assembly removal (Refer to GROUP 52A – Door Trim .) • Waterproof film removal. 	<p>Post-installation operation</p> <ul style="list-style-type: none"> • Door window glass adjustment. • Waterproof film installation. • Door trim assembly installation (Refer to GROUP 52A – Door Trim). • Learning procedures of the power window fully closed position. <Vehicles with safety system>
---	---

<Front door>



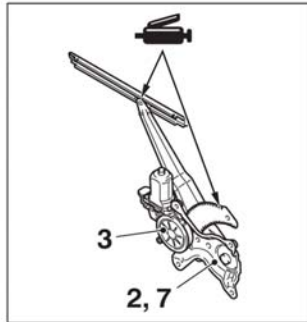
ACC03301AB

- <<A>>
- Door window glass assembly removal**
1. Door window glass assembly
- Power window regulator removal steps**
- Door window rear lower sash.
 - Door window glass runchannel.

- <<A>>
- Power window regulator removal steps (Continued)**
2. Power window regulator assembly
 3. Power window regulator motor

NOTE: For removal and installation of the power window switch, refer to GROUP 52A, Door Trim .

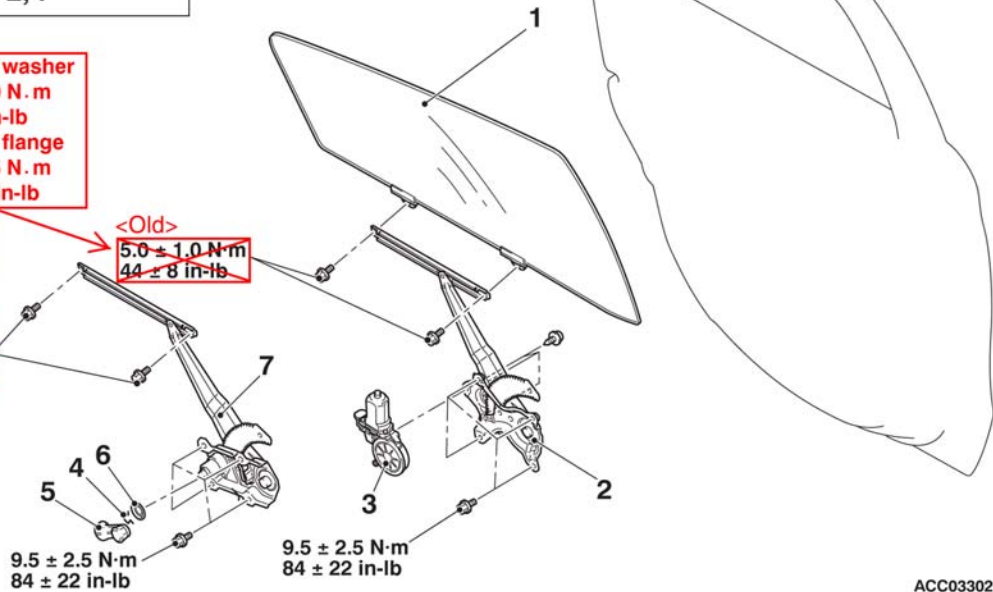
<Rear door>



<New>
Bolt with washer
5.0 ± 1.0 N.m
44 ± 8 in-lb
Bolt with flange
7.5 ± 1.5 N.m
66 ± 13 in-lb

<Old>
~~5.0 ± 1.0 N.m~~
~~44 ± 8 in-lb~~

<Old>
~~5.0 ± 1.0 N.m~~
~~44 ± 8 in-lb~~



9.5 ± 2.5 N.m
84 ± 22 in-lb

9.5 ± 2.5 N.m
84 ± 22 in-lb

ACC03302AB

Door window glass assembly removal steps

- Door window rear lower sash.
- Door window glass runchannel.

Manual window regulator removal steps

- <> >>A<< 4. Clip
- >>A<< 5. Regulator handle
- >>A<< 6. Escutcheon
- <<A>> 7. Manual window regulator assembly

<<A>> 1. Door window glass assembly

Power window regulator removal steps

- <<A>> 2. Power window regulator assembly
- 3. Power window regulator motor

NOTE: For removal and installation of the power window switch, refer to GROUP 52A, Door trim .

REMOVAL SERVICE POINT

<<A>> DOOR WINDOW GLASS ASSEMBLY/ POWER WINDOW REGULATOR ASSEMBLY/ MANUAL WINDOW REGULATOR ASSEMBLY REMOVAL

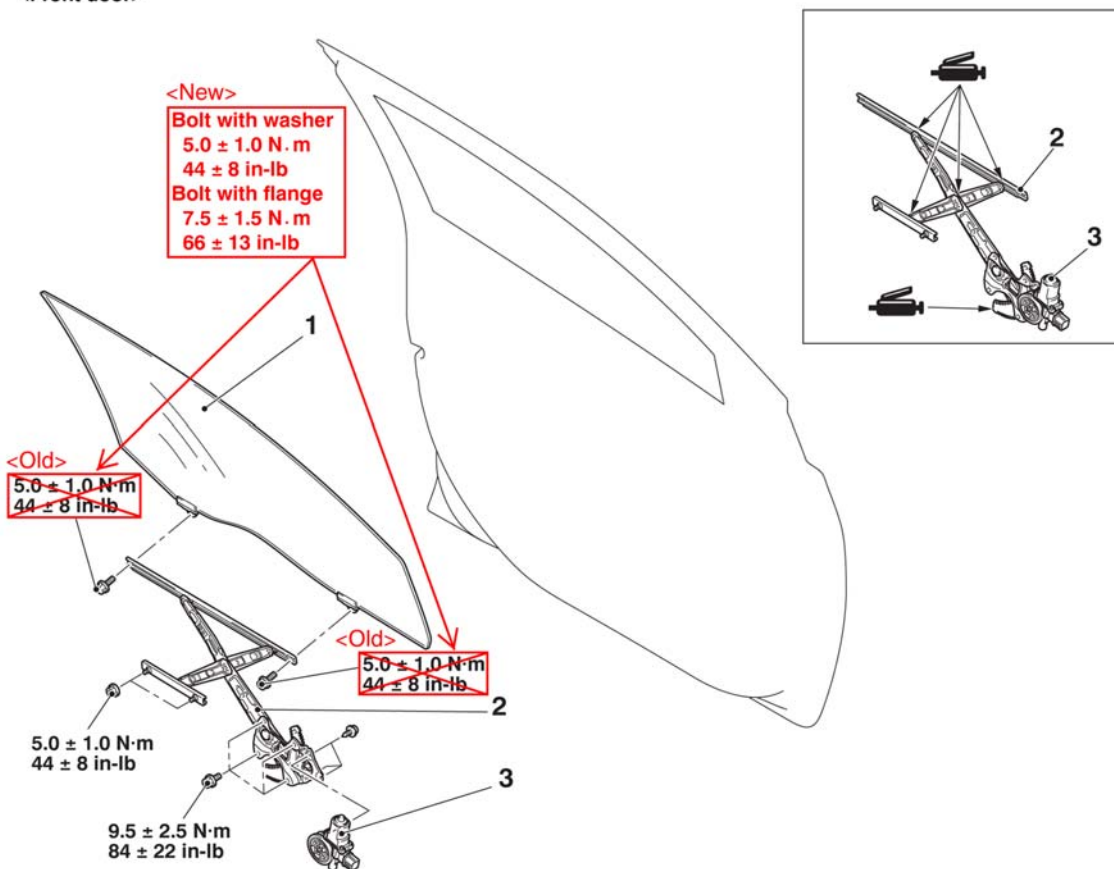
1. Remove the door window glass mounting bolts.

Please make the indicated changes to the 2017–2018 Mirage G4 Service Manual, Group 42 – Body
 –> 42A –> Door–> Door Glass and Regulator –> Removal and Installation.

DOOR GLASS AND REGULATOR REMOVAL AND INSTALLATION

<p>Pre-removal operation</p> <ul style="list-style-type: none"> • Door trim assembly removal (Refer to GROUP 52A – Door Trim .) • Waterproof film removal. 	<p>Post-installation operation</p> <ul style="list-style-type: none"> • Door window glass adjustment. • Waterproof film installation. • Door trim assembly installation (Refer to GROUP 52A – Door Trim). • Learning procedures of the power window fully closed position. <Vehicles with safety system>
---	---

<Front door>



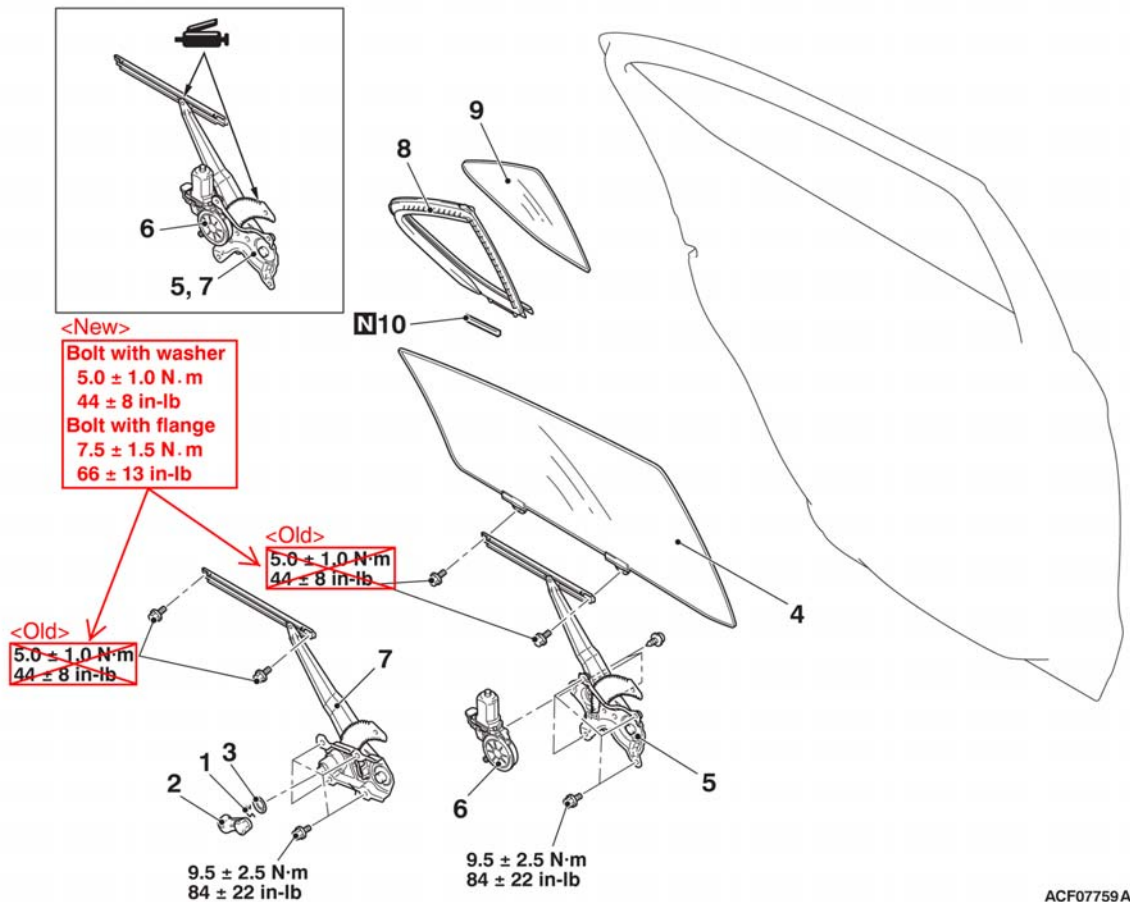
ACC03301AB

- <<A>>
- Door window glass assembly removal**
1. Door window glass assembly
- Power window regulator removal steps**
- Door window rear lower sash.
 - Door window glass runchannel.

- <<A>>
- Power window regulator removal steps (Continued)**
2. Power window regulator assembly
 3. Power window regulator motor

NOTE: For removal and installation of the power window switch, refer to GROUP 52A, Door Trim .

<Rear door>



ACF07759AB

Door window glass assembly removal steps

- <<A>> >>A<< 1. Clip <Manual window regulator>
 >>A<< 2. Regulator handle <Manual window regulator>
 >>A<< 3. Escutcheon <Manual window regulator>
- Door trim assembly (Refer to GROUP 52A, Door trim)
 - Waterproof film, Rear door window center sash, Door window glass runchannel
- <> 4. Door window glass assembly
- Power window regulator removal steps**
- Door trim assembly (Refer to GROUP 52A, Door trim)
 - Waterproof film
- <> 5. Power window regulator assembly
 6. Power window regulator motor

Manual window regulator removal steps

- <<A>> >>A<< 1. Clip
 >>A<< 2. Regulator handle
 >>A<< 3. Escutcheon
- Door trim assembly (Refer to GROUP 52A, Door trim)
 - Waterproof film
- <> 7. Manual window regulator assembly
- Stationary window glass removal steps**
- Door trim assembly (Refer to GROUP 52A, Door trim)
 - Waterproof film, Rear door window center sash
8. Stationary window weatherstrip
 9. Stationary window glass
 10. Seal pad

NOTE: For removal and installation of the power window switch, refer to GROUP 52A, Door Trim .