

October 6, 2018

Version 2

Product Update: 2018 Clarity Plug-In Hybrid Climate Control Unit Replacement

Supersedes 18-090, dated October 4, 2018, due to an internal error.

REVISION

- Bulletin number was changed.
- Under BACKGROUND, information was changed.
- Under WARRANTY INFORMATION, information was updated.

AFFECTED VEHICLES

Year	Model	Trim	VIN Range
2018	Clarity Plug-in Hybrid	ALL	Check the iN VIN status for eligibility.

BACKGROUND

There is a software problem in the climate control unit when running the heater, which may turn the MIL on.

There are up to three updates that must be performed on applicable vehicles. Check the iN VIN status inquiry for applicability.

- 18-089: Product Update: 2018 Clarity Plug-In Hybrid Climate Control Unit Replacement
- 18-090: Product Update: 2018 Clarity Plug-In Hybrid EVTC & 3-Way Valve Software Update (P100C/P0010/P26A3)
- 18-091: Product Update: 2018 Clarity Plug-In Hybrid Driver Display Software Update (Mileage)
- 18-096: Product Update: 2018 Clarity Plug-In Hybrid Warranty Information CD

CUSTOMER NOTIFICATION

Owners of affected vehicles will be sent a notification of this campaign.

Do an iN VIN status inquiry to make sure the vehicle is shown as eligible.

Some vehicles affected by this campaign may be in your new or used vehicle inventory. Repair these vehicles before they are sold.

CORRECTIVE ACTION

Replace the A/C control unit.

CUSTOMER INFORMATION:The information in this bulletin is intended for use only by skilled technicians who have the proper tools, equipment, and training to correctly and safely maintain your vehicle. These procedures should not be attempted by "do-it-yourselfers," and you should not assume this bulletin applies to your vehicle, or that your vehicle has the condition described. To determine whether this information applies, contact an authorized Honda automobile dealer.

WARRANTY CLAIM INFORMATION

Operation Number	Description	Flat Rate Time	Defect Code	Symptom Code	Template ID	Failed Part Number
6181H1	Replace the A/C control unit.	0.4 hr	6SV00	C2E00	A18089A	79600-TRW-A41

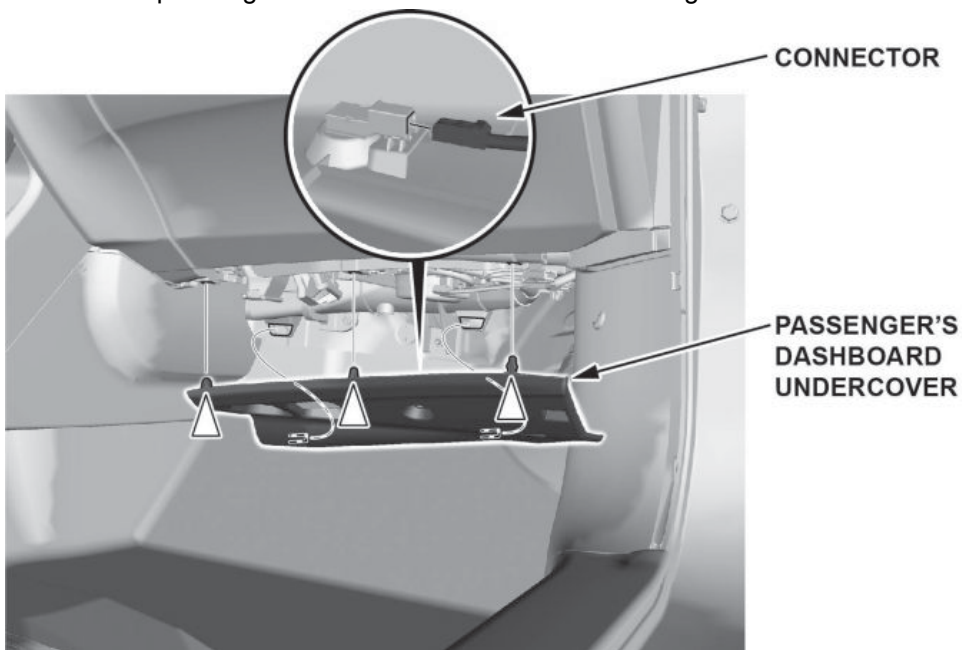
Skill Level: Repair Technician

PARTS INFORMATION

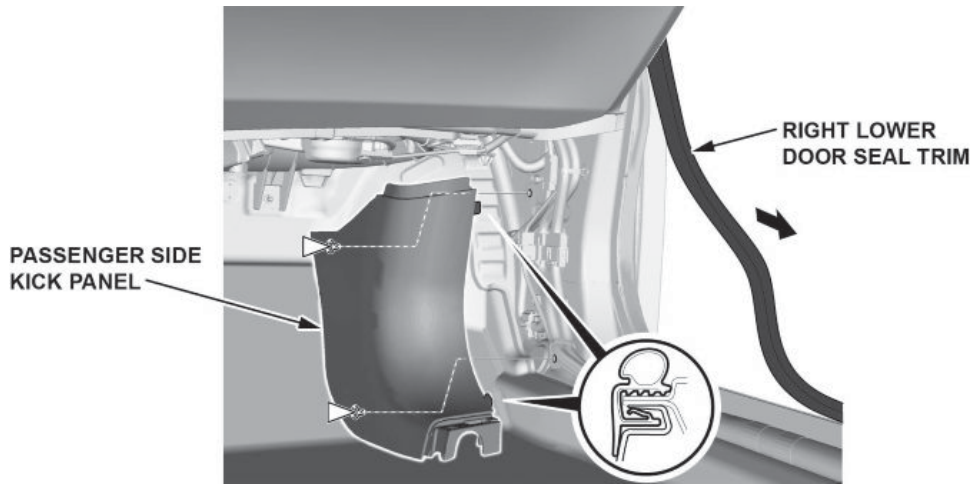
Part Name	Part Number	Quantity
CPU Assembly Auto A/C Kit	06796-TRW-A00	1

REPAIR PROCEDURE

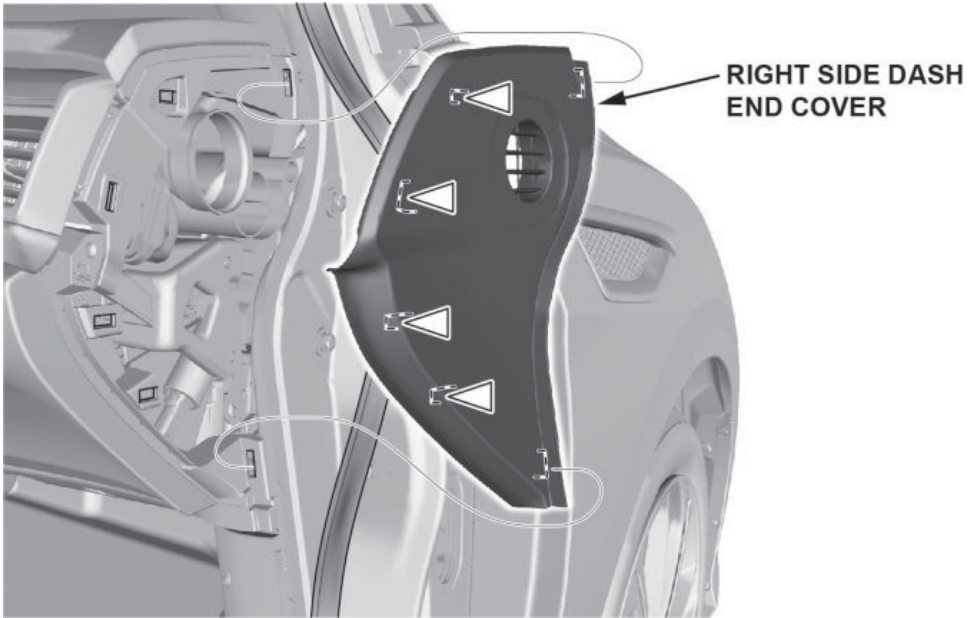
1. Remove the A/C control unit.
 - 1.1. Remove the passenger dashboard undercover below the glove box.



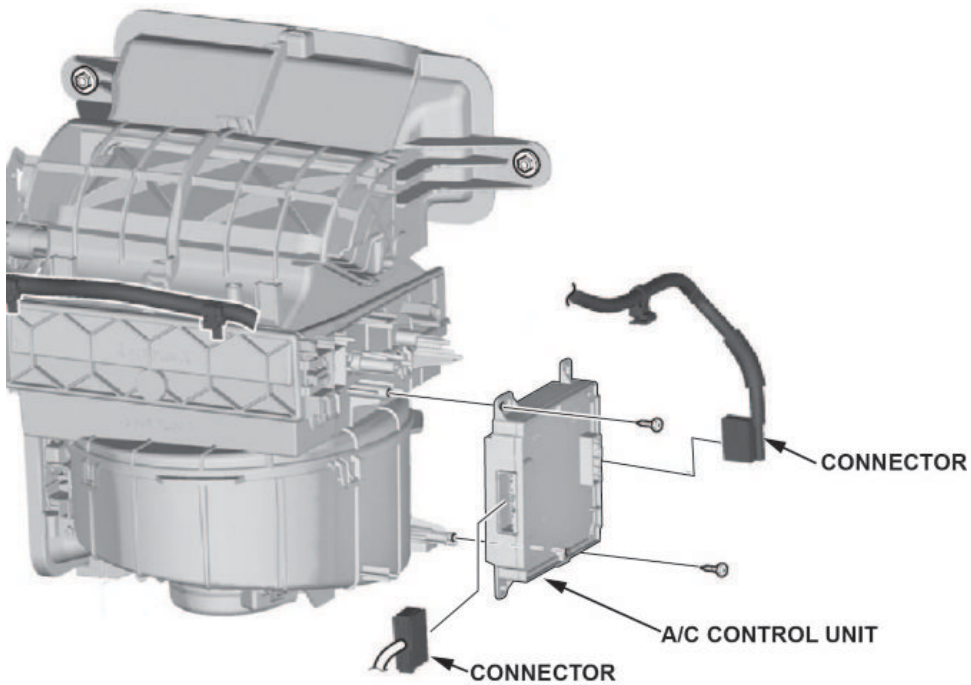
- 1.2. Remove the right lower door seal trim and the passenger side kick panel.



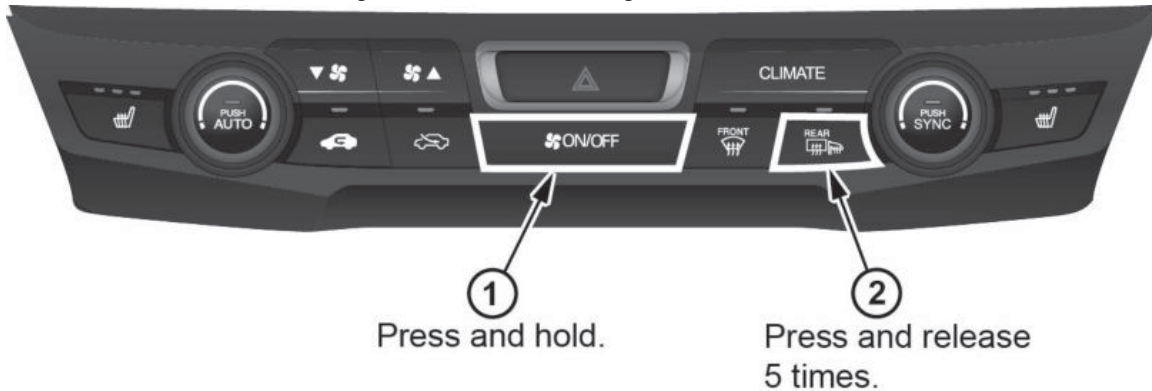
- 1.3. Remove the right side dash end cover. This will make it easier to see the control unit retaining screws.



- 1.4. Unplug the two connectors on the A/C control unit, and remove the two screws holding the unit to the blower assembly.



2. Install new A/C control unit. Assemble in the reverse order of removal.
3. Do the climate control self-diagnostics to ensure the repair is complete. Follow the procedure below:
 - 3.1. Turn the ignition to OFF, then to ON.
 - 3.2. Press and hold the ON/OFF button, then within **10 seconds** press and release the REAR Window Defogger button five times. The self-diagnostic function will begin.



NOTES

- The blower motor should run at various speeds when in the self-diagnostic mode.
- If there are no problems detected, the error status shows **Normal** and the number of errors reads **0**.
- If there are any problems in the system, the A/C Error Display screen will indicate them. Select the previous/next icon to confirm the DTCs. To determine the meaning of the indication, refer to the table in the service information.

Check for and complete any open campaigns for this vehicle.

END