

**MODEL:** Karma Revero**DATE:** June 2018**TITLE:** Body Harness Splice Location Inspection**First Release****PRIORITY:** On complaint**APPLICABILITY:** See VIN list**MARKET REGION:** North America**PURPOSE:** Remedy persistent and unique trouble code set.

This communication is to provide information to inspect for a body harness splice, and provide proper shielding for it.

There are six (6) DTC's that will be active with an associated MIL on. All six of the codes will be active when the condition is present.

U0140 - VCMS\* VCMS loss of communication with VCM-B  
U0168 - Door Module Left Lost communication with VCMS  
U0169 - VCM-Bm Loss of communication with RLS  
U0171 - VCMB-CIU lut of Sequence  
U0199 - VCMS Lost communication with Door Module Left  
U0001 - TPMS-CANbus off

The body harness will need to be inspected. and any bare wires at the splice location will need to be wrapped appropriately with electrical tape to protect from an electrical short condition. Proper splice shown (fig.1).

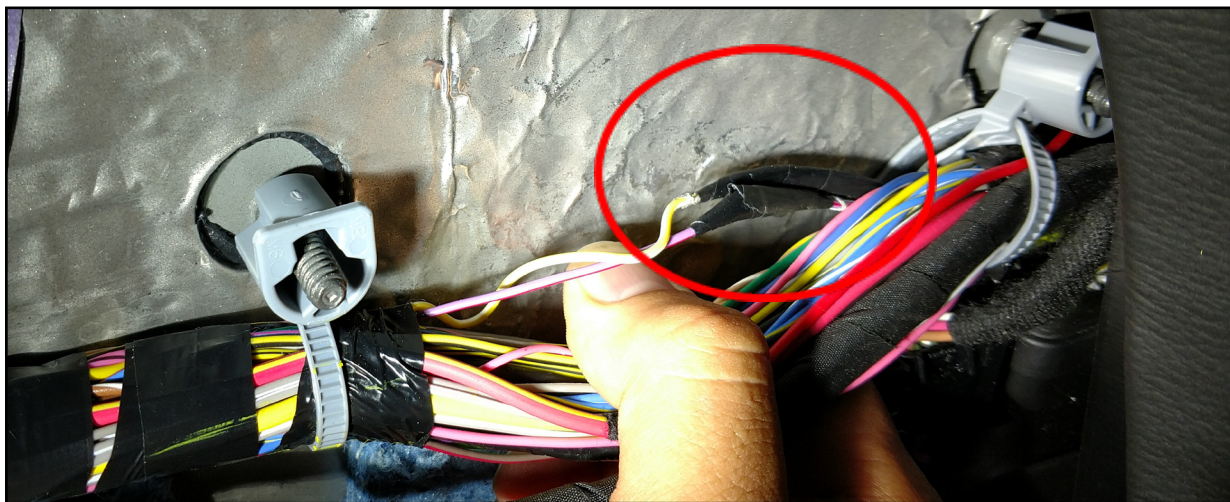


fig.1

Karma Automotive Bulletins and service documents are intended for use by experienced and trained Technicians. If you lack the skills, tools, equipment and a suitable workshop for any procedure described in this document, we suggest you leave such repairs to a Karma retailer and service provider. See your service provider for advice on whether your vehicle may benefit from the information contained within this document. The information contained in the Karma Bulletin is accurate at the date of publication. However, Karma Automotive regularly updates technical information. Please check with your Karma Automotive Retailer and Karma Automotive service provider that the bulletin you intend to use contains the latest available information.



**MODEL: Karma Revero**

**DATE: June 2018**

**TITLE: Body Harness Splice Location Inspection**

**First Release**

The following are the vehicles to consider inspecting for this condition, when presented with the provided DTCs.

50GK41SA8JA000092	50GK41SA4JA000123
50GK41SAXJA000093	50GK41SA6JA000124
50GK41SA1JA000094	50GK41SA8JA000125
50GK41SA3JA000095	50GK41SAXJA000126
50GK41SA5JA000096	50GK41SA1JA000127
50GK41SA7JA000097	50GK41SA5JA000129
50GK41SA9JA000098	50GK41SA3JA000131
50GK41SA0JA000099	50GK41SA5JA000132
50GK41SA3JA000100	50GK41SA9JA000134
50GK41SA5JA000101	50GK41SA6JA000138
50GK41SA9JA000103	50GK41SA8JA000139
50GK41SA0JA000104	50GK41SA4JA000140
50GK41SA6JA000107	50GK41SA8JA000142
50GK41SA8JA000108	50GK41SAXJA000143
50GK41SAXJA000109	50GK41SA7JA000147
50GK41SA6JA000110	50GK41SA9JA000148
50GK41SA8JA000111	50GK41SA9JA000151
50GK41SAXJA000112	50GK41SA0JA000152
50GK41SA1JA000113	50GK41SA4JA000154
50GK41SA3JA000114	50GK41SAXJA000157
50GK41SA5JA000115	50GK41SA1JA000161
50GK41SA7JA000116	50GK41SA5JA000163
50GK41SA9JA000117	50GK41SA9JA000165
50GK41SA0JA000118	50GK41SA4JA000168
50GK41SA2JA000119	50GK41SA4JA000171
50GK41SA9JA000120	50GK41SA8JA000173
50GK41SA0JA000121	50GK41SA7JA000178
50GK41SA2JA000122	50GK41SA9JA000179

Karma Automotive Bulletins and service documents are intended for use by experienced and trained Technicians. If you lack the skills, tools, equipment and a suitable workshop for any procedure described in this document, we suggest you leave such repairs to a Karma retailer and service provider. See your service provider for advice on whether your vehicle may benefit from the information contained within this document. The information contained in the Karma Bulletin is accurate at the date of publication. However, Karma Automotive regularly updates technical information. Please check with your Karma Automotive Retailer and Karma Automotive service provider that the bulletin you intend to use contains the latest available information.

**MODEL:** Karma Revero

**DATE:** June 2018

**First Release**

**TITLE:** Body Harness Splice Location Inspection

The splice locations can be found in the Connector Manual (C1810ASD5106) available on the Retailer Service Web Portal. The body harness is shown on (fig.2) as this is the area of concern.

Begin with inspection of splice S35/S36 (fig.3), this will require removing the rear seat backs.

IF the electrical short condition is not found inspect splice S39/S40 for the same condition, wrap the wires as needed to protect from an electrical short at this location.

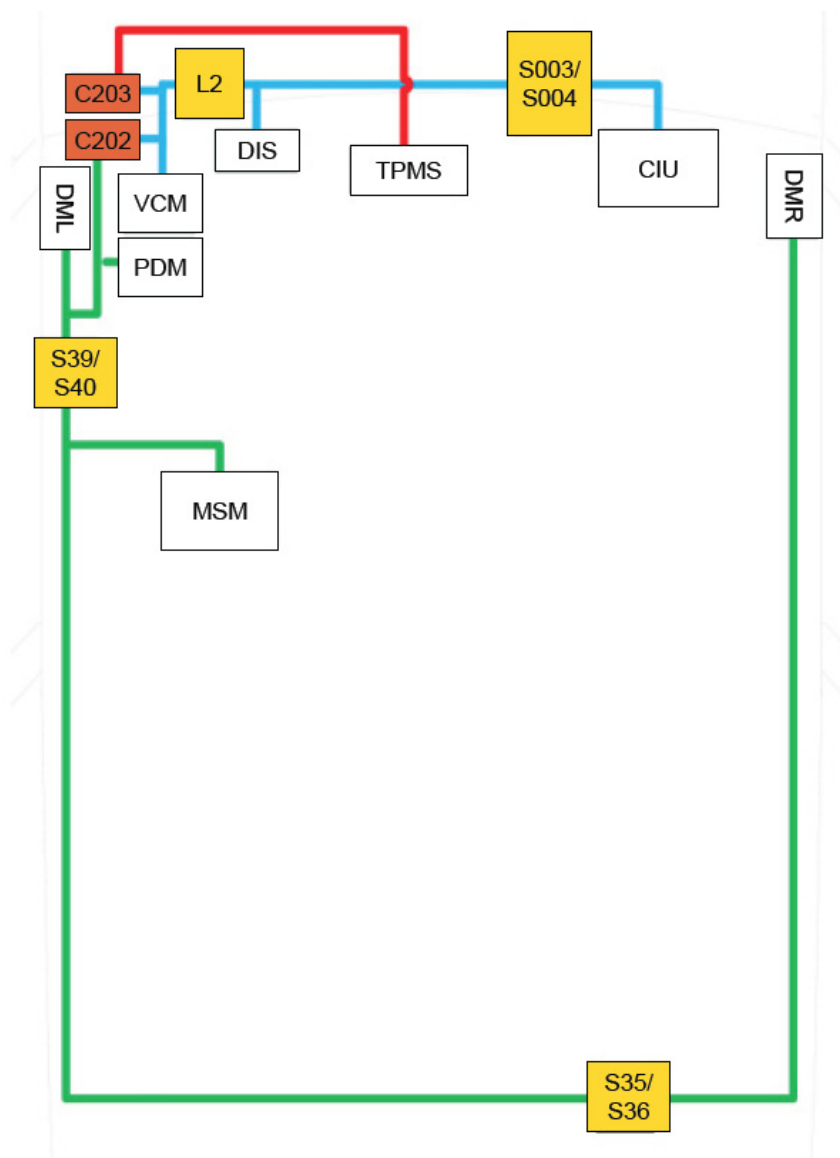


fig.2

Karma Automotive Bulletins and service documents are intended for use by experienced and trained Technicians. If you lack the skills, tools, equipment and a suitable workshop for any procedure described in this document, we suggest you leave such repairs to a Karma retailer and service provider. See your service provider for advice on whether your vehicle may benefit from the information contained within this document. The information contained in the Karma Bulletin is accurate at the date of publication. However, Karma Automotive regularly updates technical information. Please check with your Karma Automotive Retailer and Karma Automotive service provider that the bulletin you intend to use contains the latest available information.

MODEL: Karma Revero

DATE: June 2018

TITLE: Body Harness Splice Location Inspection

First Release



fig. 3



fig. 3a



fig. 3b

The splice was found in (fig.3a) and wrapped as shown in (fig.3b).

When complete, clear codes, test drive the vehicle to ensure these do not return and the vehicle continues to operate as normal.

Karma Automotive Bulletins and service documents are intended for use by experienced and trained Technicians. If you lack the skills, tools, equipment and a suitable workshop for any procedure described in this document, we suggest you leave such repairs to a Karma retailer and service provider. See your service provider for advice on whether your vehicle may benefit from the information contained within this document. The information contained in the Karma Bulletin is accurate at the date of publication. However, Karma Automotive regularly updates technical information. Please check with your Karma Automotive Retailer and Karma Automotive service provider that the bulletin you intend to use contains the latest available information.



# Technical Service Bulletin

**TB-18-90-02**

**MODEL:** Karma Revero

**DATE:** June 2018

**First Release**

**TITLE:** Body Harness Splice Location Inspection

**PARTS REQUIRED:**

PART NUMBER	DESCRIPTION	QUANTITY
N/A		

**SPECIAL TOOLS:**

DESCRIPTION
N/A

**CAUSAL PART:**

PART NUMBER	DESCRIPTION
C131190500105	Harness - Assembly Body

**LABOR CODES:**

CODE	DESCRIPTION	TIME	DEFECT CODE
90-10-24-05	Splice Inspection and Protection	0.7	90-10-24-61

**SUBLET:**

CODE	DESCRIPTION	AMOUNT
N/A		

**WARRANTY DISPOSITION:** This repair is covered under the New Vehicle Limited Warranty, in effect for five (5) years from the in-service date with no mileage limitation.

Karma Automotive Bulletins and service documents are intended for use by experienced and trained Technicians. If you lack the skills, tools, equipment and a suitable workshop for any procedure described in this document, we suggest you leave such repairs to a Karma retailer and service provider. See your service provider for advice on whether your vehicle may benefit from the information contained within this document. The information contained in the Karma Bulletin is accurate at the date of publication. However, Karma Automotive regularly updates technical information. Please check with your Karma Automotive Retailer and Karma Automotive service provider that the bulletin you intend to use contains the latest available information.