



SERVICE BULLETIN

Classification:

AT18-007

Reference:

NTB18-059

Date:

August 24, 2018

SENTRA, VERSA SEDAN, AND VERSA NOTE; CVT FLUID LEAK SERVICE INFORMATION

APPLIED VEHICLES: 2013-2019 Sentra (B17)
2012-2019 Versa Sedan (N17)
2014-2018 Versa Note (E12)

APPLIED TRANSMISSION: CVT

SERVICE INFORMATION

CVT related fluid leaks may be diagnosed incorrectly upon initial inspection causing incorrect parts replacement such as oil pan gaskets, axle seals, etc. To help reduce/eliminate the possible return of an applied vehicle, first check for leakage around the CVT fluid charging pipe.

When leakage is determined to be coming from the base of the CVT fluid charging pipe, remove it to inspect, and if necessary, replace the O-ring.

If needed, CVT leak inspection dye may be used to determine the source of the leak.

- Refer to NTB09-140.

See example photos on pages 2 and 3.

Nissan Bulletins are intended for use by qualified technicians, not 'do-it-yourselfers'. Qualified technicians are properly trained individuals who have the equipment, tools, safety instruction, and know-how to do a job properly and safely. NOTE: If you believe that a described condition may apply to a particular vehicle, DO NOT assume that it does. See your Nissan dealer to determine if this applies to your vehicle.

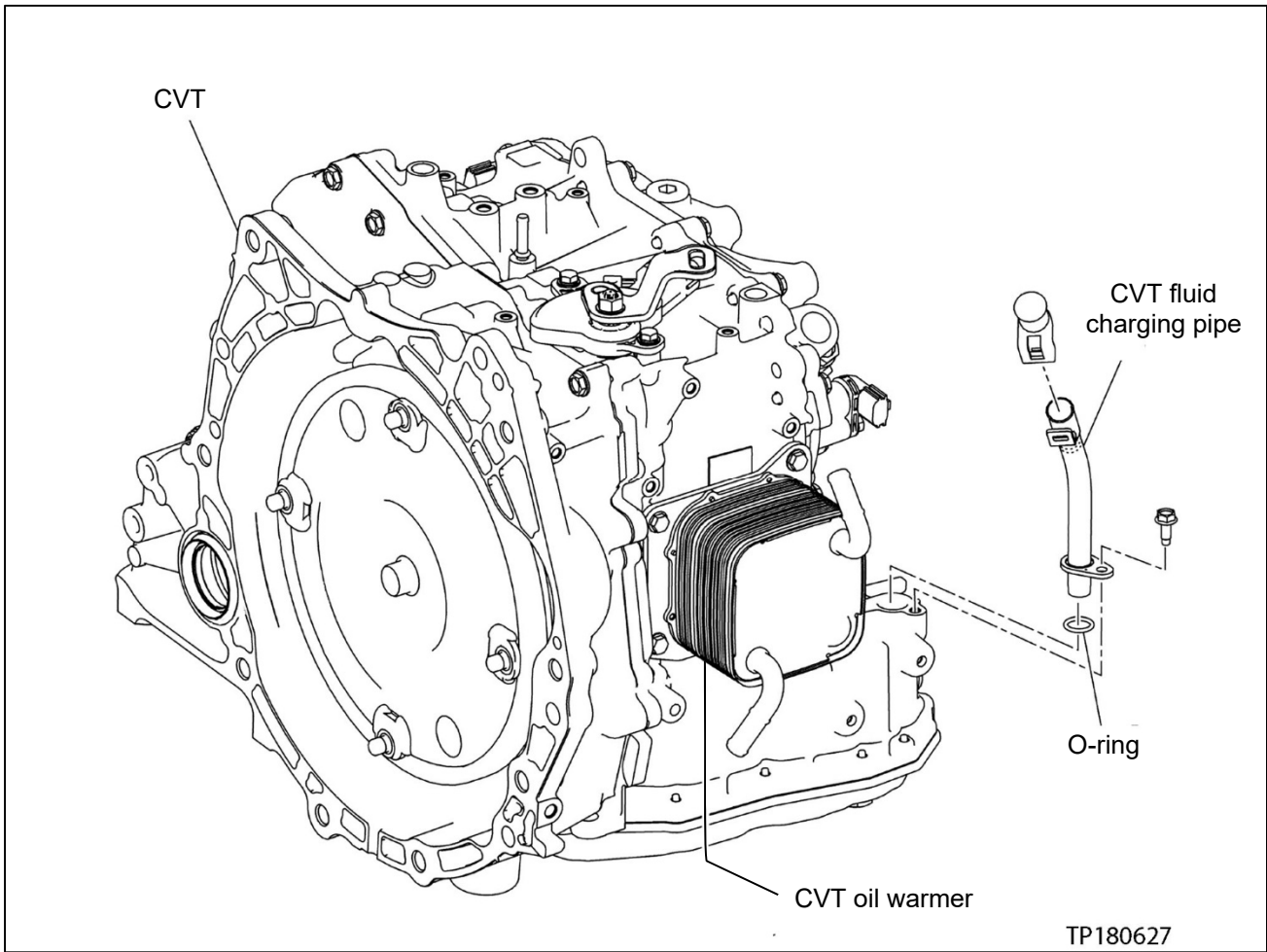


Figure 1

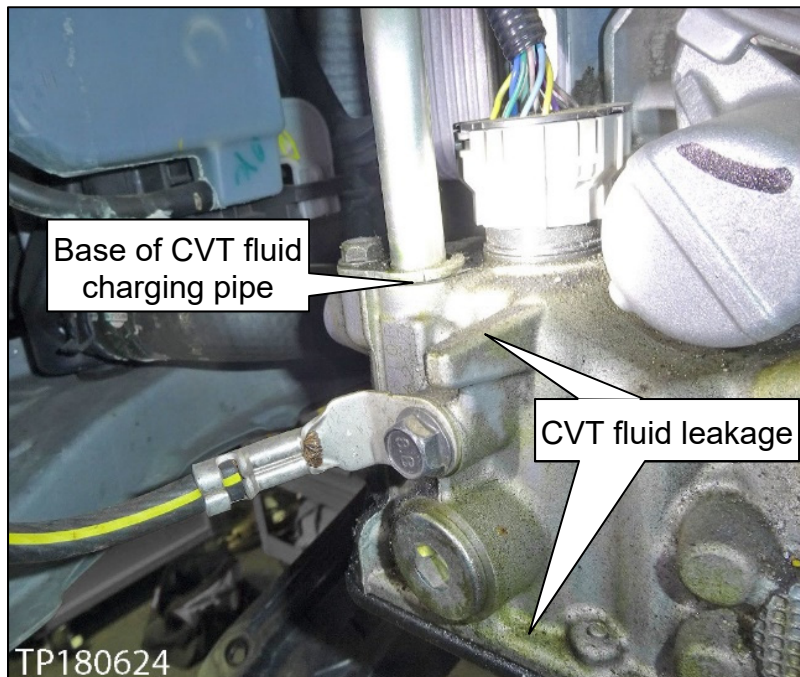


Figure 2

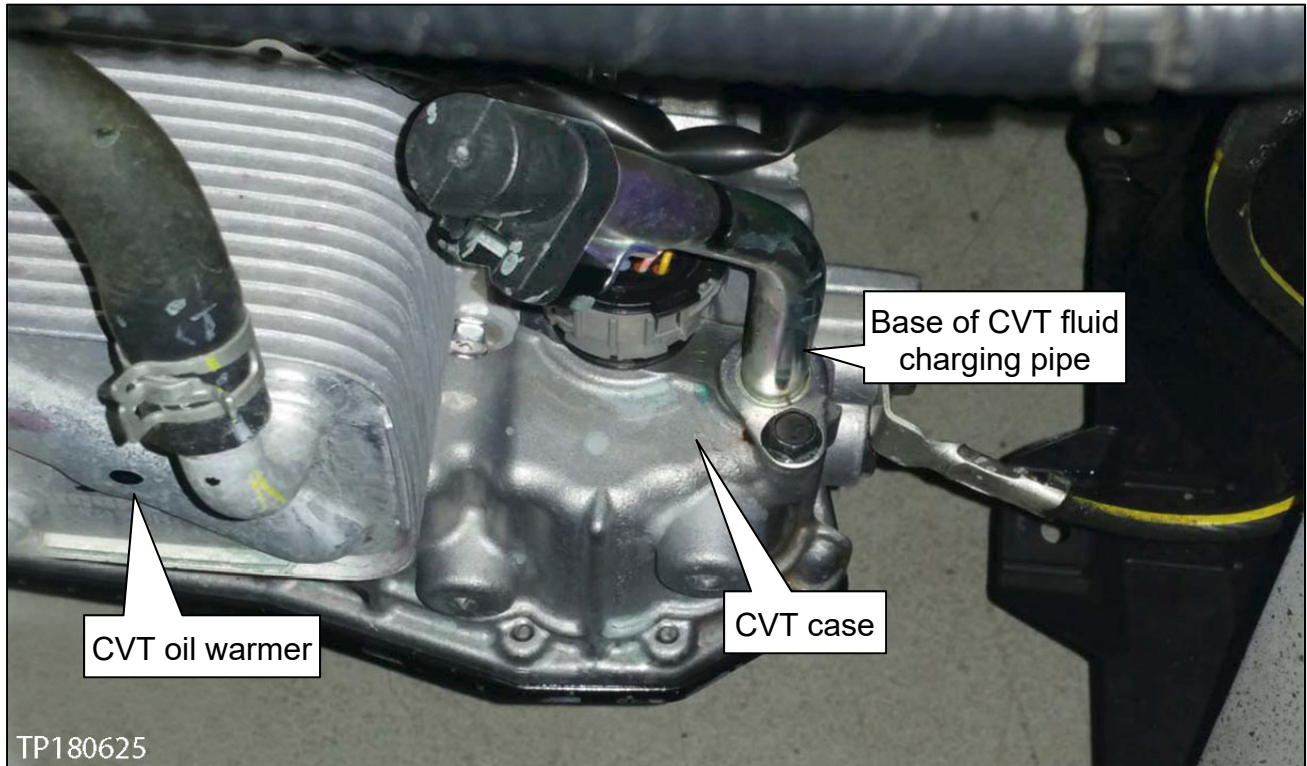


Figure 3

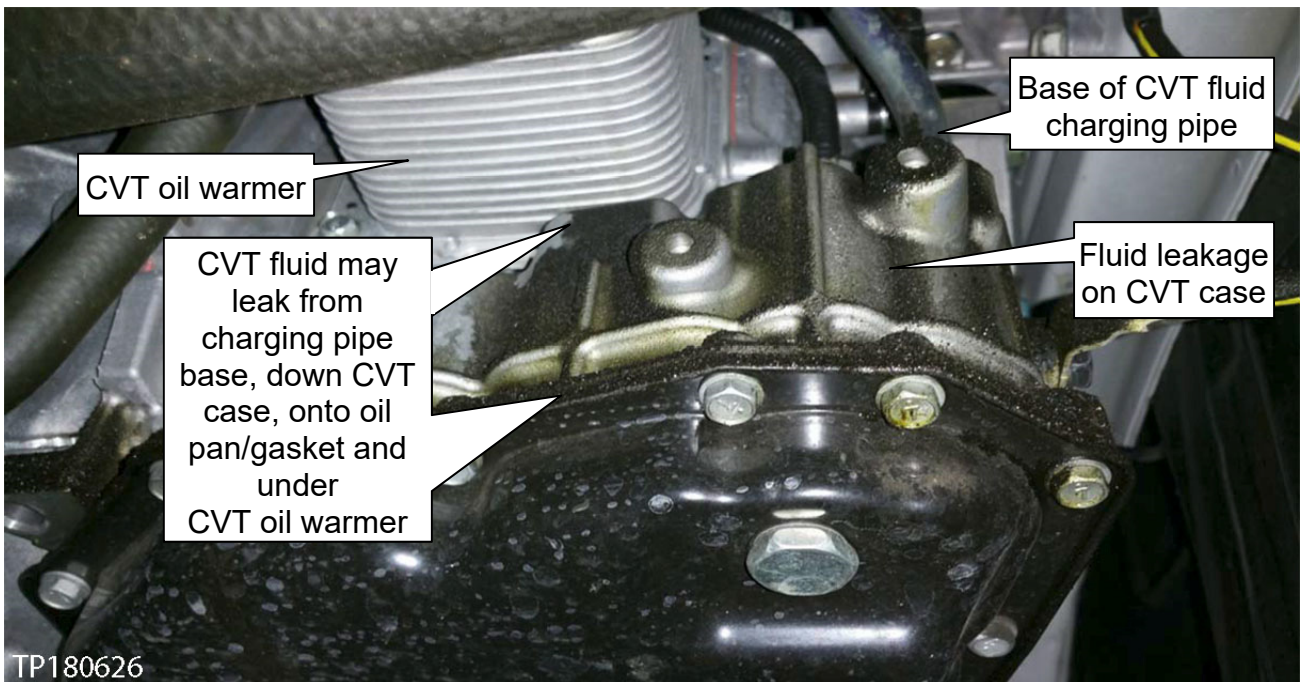


Figure 4