



## Preliminary Information

### PIP5579 Front and Rear Axle Restriction for Vehicles with RPO SU5 SU8

#### Models

Brand:	Model:	Model Years:	VIN:		Engine:	Transmissions:
			from	to		
Chevrolet	Silverado (New Model)	2019	All	All	All	All
GMC	Sierra (New Model)	2019	All	All	All	All

<b>Involved Region or Country</b>	<b>North America</b>
<b>Additional Options (RPO)</b>	<b>SU5 or SU8</b>
<b>Condition</b>	<b>Part restriction</b>
<b>Cause</b>	<b>New Product Monitoring</b>

As part of our ongoing and continuous improvement we have placed the front and rear axles on restriction, to ensure that we get undisturbed parts returned for root cause analysis.

Only the axle corresponding to the RPO listed above or the following part numbers are included in this restriction. PN: 84536841, 84536840, 84573714 and 84573715

Please fill out the template below prior to contacting PQC.

**Caller's First & Last Name/Position:**

**Technician's Name/Direct Phone:**

**Parts Manager's Name:**

**Dealership's Fax Number:**

**Parts Fax Number:**

**Q1: Customer's Concern:**

**Q2: Has the vehicle been modified with non-production accessories?**

**Q3: Is the vehicle for personal or commercial use?**

**Q4: Have you completed the Front/Rear Axle Lubricant Level Inspection in SI(Y/N)?**

**Q5: Are there any leaks (Y/N)**

- If no, continue to next question

- If yes,
- What type of leak?
- Location of the leak ?

**Q6: Are there any Noises (Y/N)**

- If no, continue to next question
- If yes, complete the following
- What kind of noise?
- Location and frequency of the noise ?
- When does is occur?

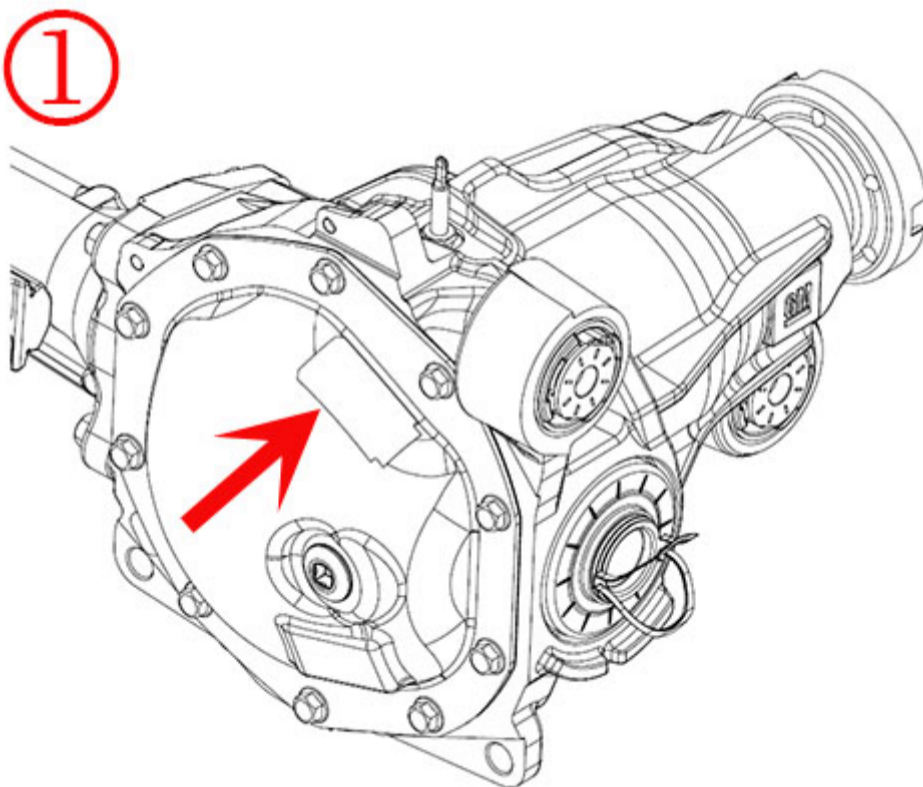
**Q7: Are there any Vibration: (Y/N)**

- If no, continue to next question
- If yes, complete the following
- When does is occur?
- Pico scope data available for engineering review (Y/N)
- If yes, continue to next question
- If no, Please have pico scope data available

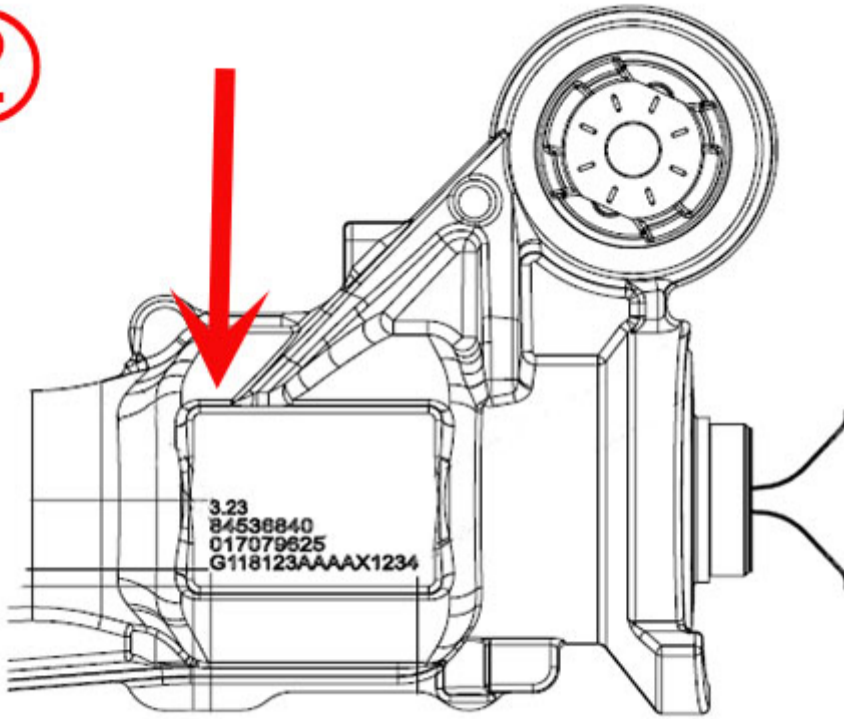
**NOTE: If a P1 vibration was noticed check the rear prop shaft and rear axle flange and verify that the paint dots on both parts are lined up. If not re index the prop shaft and verify the concern still exists.**

**Q8: Failed Axle Serial Number (located on label):**

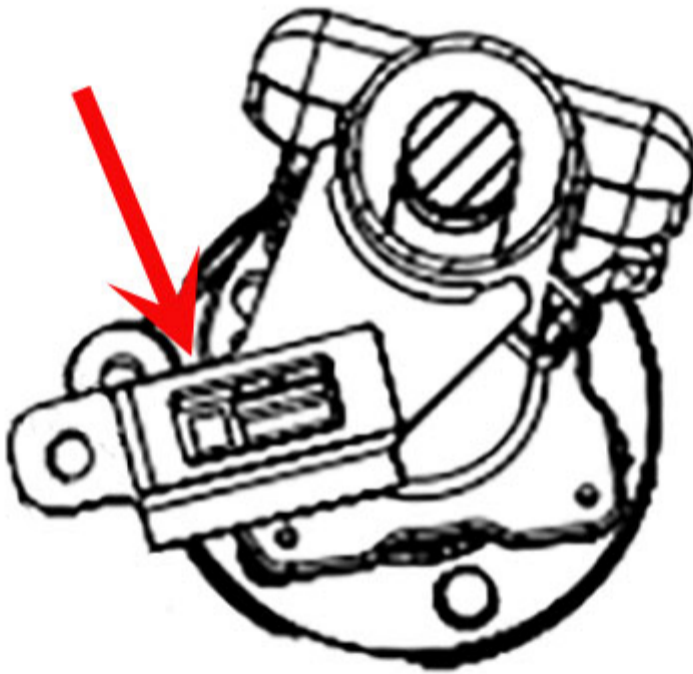
**Pictures labeled 1 and 2 below show the tag location on the front differential. Item 2 is near the actuator.**



②



Rear Axle tag location is inboard side of the left hand shock bracket.



#### Parts Information

**Use the vehicle identification number (VIN), SI, and the GM Electronic Parts Catalog to determine the proper part to request.**

#### Version History

Version	1
Modified	Created on 08/08/2018



GENERAL MOTORS

© 2018 General Motors. All Rights Reserved.