



Preliminary Information

PIP5580 Transfer Case Exchange Program

Models

Brand:	Model:	Model Years:	VIN:		Engine:	Transmissions:
			from	to		
Chevrolet	Silverado 1500 (New Model)	2019	All	All	All	All
GMC	Sierra 1500 (New Model)	2019	All	All	All	All

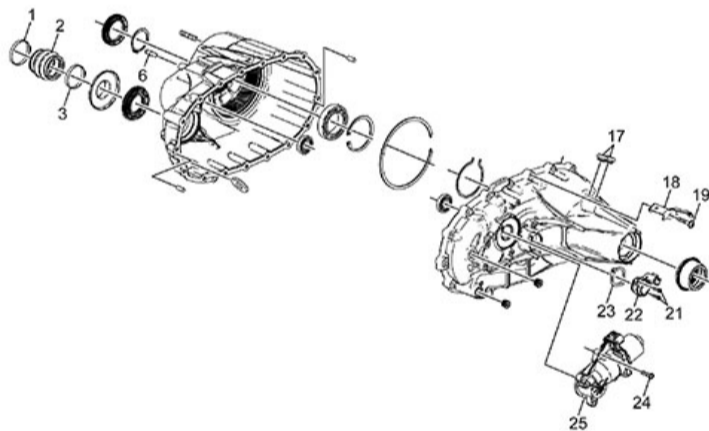
Involved Region or Country	North America
Additional Options (RPO)	NQH NPO
Condition	Transfer Case Exchange Program

As part of our ongoing continuous improvement we have placed the transfer cases used in the new model 1500 pickups (NQH and NPO) on exchange.

For any transfer case related issues not related to the following items, please fill out the questions below and contact PQC.

Please have the transfer case assembly part number available prior to contacting PQC.

NOTE: Please reference the Transfer Case Assembly Replacement document in service information if the transfer case is removed for any reason. The torque sequence in the document is critical to ensure proper alignment of the transmission and transfer case.



- (1) Transfer Case Front Output Shaft Boot Clamp
- (2) Transfer Case Front Output Shaft Boot
- (3) Transfer Case Front Output Shaft Boot Clamp
- (6) Transfer Case Vent
- (17) Transfer Case Access Hole Plug[2x]
- (18) Transfer Case Bracket
- (19) Transfer Case Half Bolt[17x]
- (21) Transfer Case Two/Four Wheel Drive Actuator Position Sensor Bolt[2x]
- (22) Transfer Case Two/Four Wheel Drive Actuator Position Sensor
- (23) Transfer Case Two/Four Wheel Drive Actuator Position Sensor Gasket
- (24) Transfer Case Two/Four Wheel Drive Actuator Bolt/Screw[4x]
- (25) Transfer Case Two/Four Wheel Drive Actuator Assembly

Parts Information

Use the vehicle identification number (VIN), SI, and the GM Electronic Parts Catalog to determine the proper part to request.

Warranty Information

Labor Operation	Description	Labor Time
8421160	Transfer Case Assembly Replacement	Use Published Labor Time

Version History

Version	1
Modified	Created on 8/6/2018



GENERAL MOTORS

© 2018 General Motors. All Rights Reserved.