



Technical Service Bulletin

Technical Service Bulletin: TSB180043	Released Date: 13-Aug-2018
New Lubricating Oil Filter Head and Lubricating Oil Cooler Cover Gasket	

New Lubricating Oil Filter Head and Lubricating Oil Cooler Cover Gasket

Warranty Statement

The information in this document has no effect on present warranty coverage or repair practices, nor does it authorize TRP or Campaign actions.

Contents

Product Affected

- C8.3 (All Versions)
- C Gas Plus (All Versions)
- G8.3 (All Versions)
- ISC (All Versions)
- ISL (All Versions)
- L Gas Plus (All Versions)
- L8.9 (All Versions)
- L9 (All Versions)
- Marine Controls MC101 (All Versions)
- QSC (All Versions)
- QSL (All Versions)

Description of Change

- A new lubricating oil filter head and lubricating oil cooler cover gasket are available.
- Lubricating oil filter head increases sealing flange and front wall thickness.
- Lubricating oil cooler cover gasket coating material was changed and embossments were added around sealing perimeter.

Reason for Change

- Lubricating oil filter head was improved to reduce lubricating oil filter head cracking and external lubricating oil leaks.
- Lubricating oil cooler cover gasket was improved to reduce external lubricating oil leaks.

Service Instructions

- If existing lubricating oil filter head has malfunctioned, replace with new lubricating oil filter head.
 - New lubricating oil cooler cover gasket **must** be used with new lubricating oil filter head.
- If existing lubricating oil cooler cover gasket has malfunctioned, replace with existing part number.

Service Parts Availability

Service parts are available. See Table 1 for part numbers.

Part Description	Existing Part Number	Obsolete	Superseded	New Part Number
Lubricating Oil Filter Head	3974325	Yes	Yes	5450367
	3974326	Yes	Yes	5450366
	5260275	Yes	Yes	5475709
	5260276	Yes	Yes	5475710
	4936582	Yes	Yes	5475712
Lubricating Oil Cooler Cover Gasket	3929011	No	No	5403905

Part Compatibility

New lubricating oil cooler cover gasket is **only** compatible with new lubricating oil filter head part numbers.

Part Identification

- New lubricating oil filter head can be identified by added capscrew machined bosses (see Figure 1).
- New lubricating oil cooler cover gasket can be identified by embossments around sealing perimeter (see Figure 2).

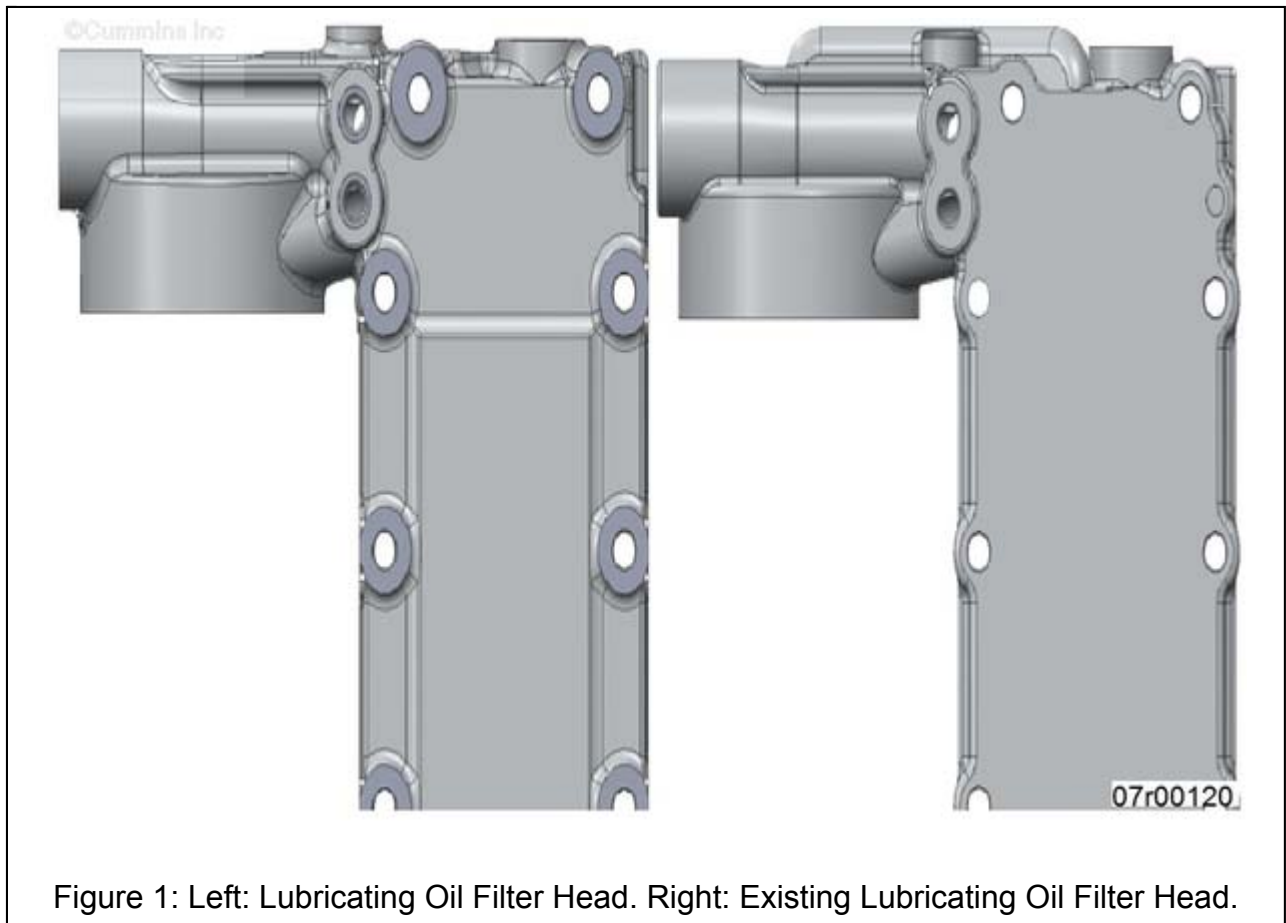


Figure 1: Left: Lubricating Oil Filter Head. Right: Existing Lubricating Oil Filter Head.



Figure 2: Left: New Lubricating Oil Cooler Cover Gasket. Right: Existing Lubricating Oil Cooler Cover Gasket.

Part Inventory Action

Never use existing stock of lubricating oil filter head on Marine applications with LC 9500 option.

Production Status

Implemented for production. See Table 2

Table 2, Production Information		
ESN First	Build Date ¹	Plant
74258306	20 January 2018	Rocky Mount Engine Plant
¹ Engine build date can be found on the engine dataplate.		

Document History

Date	Details
------	---------

Date	Details
2018-4-10	Module Created
2018-8-3	Product Problem Solving (PPS)

Last Modified: 13-Aug-2018
