

REFERENCE:	Nova Bus Manuals
SECTION:	13: Destination Sign
RS N°:	MQR 7621-1628
EFFECTIVE IN PROD.:	LA13 (2016NO)

APPLICATION DEADLINE:N/A

SUBJECT:	Destination sign doors latches
JUSTIFICATION:	Latch adjustment for the the proper operation of the destination sign doors.

LEVEL	DESCRIPTION	DIRECT CHARGES		TIME
		LABOUR	MATERIAL	
1	Adjust destination sign doors latches.	Client	Client	20 min.
2	-	-	-	-

MATERIAL

QTY	PART N°	REV.	DESCRIPTION	REPLACES PART N°
LEVEL 1				
-	-	-	-	-
LEVEL 2				
-	-	-	-	-

DISPOSAL OF PARTS

REMOVED PARTS ARE:	DISCARDED	RETAINED	
	-	-	

REVISION HISTORY

REV.	DATE	CHANGE DESCRIPTION	WRITTEN BY
NR	2018JU11	Initial release	André Pelletier

CLIENT	ORDER	ROAD NUMBER		VIN (2NVVY/4RKY...)		QTY
		FROM	TO	FROM	TO	
Ames Transportation Agency - Iowa	L904	6101	6104	S92J1G9775221	S92J7G9775224	4
Barrie Ontario - Metrolinx	L878	1501	1504	L82JXF3001691	L82J6F3001719	4
Barrie Ontario - Metrolinx	L955	1601	1604	L82J7G9775408	L82J9G9775412	4
BC Transit - BCT - British Columbia	L858	9447	9481	L82JXE3001401	L82J5F3001436	35
BC Transit - BCT - British Columbia	L891	—	—	L82J5F3001565	L82J2F3001569	5
Bow Valley Transit - Alberta	L993	-	-	L82JXG3750329	L82J6G3750330	2
Brampton - Ontario	L864	1501	1510	L82JXF3001500	L82J6F3001509	10
Brampton - Ontario	L865	1511	1519	L82JXF3001514	L82J9F3001522	9
Brampton - Ontario	L941	1614	1623	L82J1G3750123	L82J2G3750132	10
Brampton - Ontario	L942	1601	1613	L82J6G3750070	L82J4G3750083	13
Brandon - Manitoba	L899	67	70	L82J2G3750180	L82J8G3750183	4
Brantford - Ontario	L928	10151	10153	L82J7F3001793	L82J0F3001795	3
Brantford - Ontario	LA03	10161	10612	L82J0G3750369	L82J7G3750370	2
Burlington - Ontario	L887	7017-15	7025-15	L82J7F3001681	L82J8F3001723	9
Chicago Transit Authority - CTA - Illinois	L847	8000	8049	L82J1E4500773	L82JXE4500822	50
Chicago Transit Authority - CTA - Illinois	L848	8050	8099	L82JXF4500823	L82J1F4500872	50
Chicago Transit Authority - CTA - Illinois	L849	8100	8149	L82J5F4500874	L82J3F4500923	50
Chicago Transit Authority - CTA - Illinois	L850	8150	8199	L82J5F4500924	L82J6G9775013	50
Chicago Transit Authority - CTA - Illinois	L943	8200	8324	L82JXG9775225	L82J3G9775406	125
Cornwall Ontario - Metrolinx	L935	—	—	L82J3F3001838	L82J5F3001839	2
CT Transit - Connecticut	L814	1462	1473	S92LXE4500717	S92L4E4500728	12
CT Transit - Connecticut	L815	1426	1429	S92L0E4500709	S92L0E4500712	4
Démo-2017	L980	—	—	L82J1G9775565	L82J9G9775569	3
Duke University - North Carolina	L938	-	-	L82L8G9775399	L82L0G9775400	2
Durham Region Transit Ontario - Metrolinx	L872	8551	8553	L82J0F3001523	L82J4F3001525	3
Durham Region Transit Ontario - Metrolinx	L888	8554	8559	L82J2F3001703	L82J1F3001708	6
Fredericton - New Brunswick	L836	8143	8143	L82J9E3001390	L82J9E3001390	1
Fredericton - New Brunswick	L901	8151	8151	L82J7F3001602	L82J7F3001602	1
Fredericton - New Brunswick	L968	8161	8162	L82J1G3750218	L82J3G3750219	2
Grande Prairie Alberta	L834	—	—	L82J7E3001386	L82J2E3001389	4
Guelph - Ontario	L835	240	243	L82J0E3001391	L82J6E3001394	4
Guelph - Ontario	L927	244	247	L82J1F3001756	L82J9F3001763	4
Guelph - Ontario	L985	248	251	L82J7G3750255	L82J2G3750258	4
Halifax - Nova Scotia	LA11	1208	1236	L82J1G9775579	L82J4G9775608	29
Halifax - Nova Scotia	LA14	1237	1237	L82J1G9775596	L82J1G9775596	1
Hamilton - Ontario - Metrolinx	L885	1501	1524	L82K3F4501093	L82K0F4501214	24
Hamilton - Ontario - Metrolinx	L956	1601	1632	L82K2G9775325	L82K3G9775415	32
Hamilton - Ontario - Metrolinx	LA05	1633	1643	L82K4G9775553	L82K7G9775577	11
Houston - Texas	L951	1915	1915	L82J0G9775203	L82J0G9775203	1
Houston - Texas	L952	1580	1580	S92J5G9775318	S92J5G9775318	1
Houston - Texas	L981	1916	1994	L82J8G9775434	L82J4G9775513	79
Houston - Texas	L982	1581	1599	S92J5G9775514	S92J5G9775545	19
Kingston - Ontario Metrolinx	L880	1502	1502	L82JXF3001786	L82JXF3001786	1

CLIENT	ORDER	ROAD NUMBER		VIN (2NVY/4RKY...)		QTY
		FROM	TO	FROM	TO	
Kingston - Ontario Metrolinx	L889	1687	1689	L82J1G3750252	L82J5G3750254	3
Kingston - Ontario Metrolinx	L925	1504	1510	L82J5F3001808	L82J5F3001811	4
Kingston - Ontario Metrolinx	L954	1683	1686	L82J4G3750259	L82J4G3750262	4
Lethbridge - Alberta	L868	—	—	L82J2F3001510	L82J2F3001510	1
Lethbridge - Alberta	L997	181	186	L82J5G9775570	L82JXG9775578	6
Milton - Ontario - Metrolinx	L884	1701	1702	L82J0G3750338	L82J2G3750339	2
Moncton (Codiac) - New Brunswick	LA06	—	—	L82J3G9775552	L82JXG9775564	9
New York City Transit - New York	L841	8094	8134	L82J2F4500959	L82JXF4501034	41
New York City Transit - New York	L841	8184	8206	L82J1F4501035	L82J0F4501057	23
New York City Transit - New York	L841	8252	8269	L82J2F4501058	L82J2F4501075	18
New York City Transit - New York	L842	8090	8093	L82J4F4501076	L82JXF4501079	4
New York City Transit - New York	L842	8207	8213	L82J6F4501161	L82J7F4501170	7
New York City Transit - New York	L842	8399	8408	L82J6F4501080	L82J2F4501089	10
New York City Transit - New York	L842	8318	8332	L82J9F4501090	L82J7F4501105	15
New York City Transit - New York	L842	8359	8373	L82J9F4501106	L82J3F4501120	15
New York City Transit - New York	L842	8409	8432	L82J5F4501121	L82JXF4501146	24
New York City Transit - New York	L842	8481	8491	L82J1F4501147	L82J8F4501159	11
New York City Transit - New York	L843	8135	8153	L82J5F4501197	L82J9F4501221	19
New York City Transit - New York	L843	8214	8230	L82J9F4501171	L82J1F4501195	17
New York City Transit - New York	L843	8270	8293	L82J0F4501222	L82J7F4501251	24
New York City Transit - New York	L843	8333	8347	L82J9F4501252	L82J1G9775016	15
New York City Transit - New York	L843	8374	8380	L82J3G9775017	L82J9G9775023	7
New York City Transit - New York	L844	8381	8170	L82J0G9775024	L82J0G9775105	82
New York City Transit - New York	L845	8171	8480	L82J2G9775106	L82J6G9775187	82
New York City Transit - New York	L958	5439	5442	S92J9G9775533	S92J9G9775631	4
NFTA - Buffalo, New York	L877	1501	1501	L82K0F4500984	L82K0F4500984	1
NFTA - Buffalo, New York	L897	1502	1520	L82K1F4501223	L82K1G9775008	19
Niagara Falls - Ontario	L987	1601	1604	L82J6G3750344	L82J1G3750347	4
North Bay - Ontario	L895	784	785	L82J7F3001678	L82J9F3001679	2
North Bay - Ontario	L979	786	787	L82J4G3750312	L82J6G3750313	2
Oakville Ontario - Metrolinx	L874	—	—	L82J6F3001526	L82JXF3001531	6
Oakville Ontario - Metrolinx	L881	—	—	L82J2F3001717	L82J8F3001740	5
Oakville Ontario - Metrolinx	L945	-	-	L82J9G3750211	L82JXG3750217	7
Orillia Ontario - Metrolinx	L965	1722	1724	L82J3G3750320	L82J7G3750322	3
Peterborough - Ontario	L870	61	63	L82JXF3001612	L82J3F3001614	3
Peterborough - Ontario	L919	64	66	L82J6F3001767	L82JXF3001769	3
Peterborough - Ontario	L966	67	71	L82J2G3750230	L82JXG3750234	5
Red Deer - Alberta	L813	10008	10009	L82J2E3001361	L82J4E3001362	2
Red Deer - Alberta	L869	—	—	L82J9F3001570	L82J0F3001571	2
Red Deer - Alberta	L924	10104	10147	L82K0G9775517	L82KXG9775542	12
Red Deer - Alberta	L926			L82J2F3001796	L82J4F3001797	2
Red Deer - Alberta	L960	10021	10025	L82K9G9775418	L82K3G9775429	5
Regina - Saskatchewan	L892	686	691	L82J5F3001484	L82J4F3001489	6

CLIENT	ORDER	ROAD NUMBER		VIN (2NVY/4RKY...)		QTY
		FROM	TO	FROM	TO	
Regina - Saskatchewan	L949	692	696	L82J3G3750205	L82J0G3750209	5
Regina - Saskatchewan	L992	-	-	L82J6G3750294	L82J3G3750298	5
Sarnia Ontario	L873	151	152	L82J0F3001599	L82J0F3001600	2
Sarnia Ontario	L883	153	153	L82J4G3750021	L82J4G3750021	1
Sarnia Ontario	L963	162	162	L82J7G3750305	L82J7G3750305	1
Saskatoon - Saskatchewan	L894	1501	1510	L82J0F3001490	L82J7F3001499	10
Saskatoon - Saskatchewan	L953	1601	1610	L82J9G3750158	L82JXG3750167	10
Sault Ste. Marie Ontario	L934	—	—	L82JXG3750038	L82JXG3750038	1
SEPTA - Pennsylvania	L742	7371	7414	S92L6E4500729	S92L7E4500772	44
SEPTA - Pennsylvania	L745	7415	7415	S92L0F4500873	S92L0F4500873	1
SEPTA - Pennsylvania	L746	7416	7454	S92L7F4500952	S92L8F4501012	39
SEPTA - Pennsylvania	L861	7300	7484	S92L5G9775188	S92L8G9775220	32
St. Catharines Ontario - Metrolinx	L879	1501	1504	L82J4F3001587	L82J4F3001590	4
St. Catharines Ontario - Metrolinx	L882	1601	1605	L82J9G3750225	L82J9G3750229	5
St. Catharines Ontario - Metrolinx	L898	1560	1560	S92J4F3001663	S92J4F3001663	1
St. John - New Brunswick	L871	40585	40586	L82J8F3001592	L82JXF3001593	2
St. John - New Brunswick	L939	40687	40687	L82J0G3750078	L82J0G3750078	1
St. John's - Newfoundland	L875	1520	1525	L82JXF3001478	L82J3F3001483	6
St. John's - Newfoundland	L930	1626	1630	L82J7F3001826	L82J9F3001830	5
Stratford - Ontario	L893	—	—	L82J9F3001584	L82J0F3001585	2
Sudbury - Ontario	L890	851	855	L82JXF3001609	L82J6F3001641	5
Sudbury - Ontario	L994	861	865	L82J1G3750364	L82J9G3750368	5
Thunder Bay - Ontario	L863	—	—	L82J8F3001558	L82J6F3001560	3
Thunder Bay Ontario - Metrolinx	L944	—	—	L82J6G3750084	L82JXG3750086	3
Timmins - Ontario	L839	—	—	L82J8E3001395	L82J8E3001395	1
Timmins - Ontario	L995	-	-	L82JXG3750377	L82JXG3750377	1
Toronto Transit Commission - TTC - Ontario	L859	8400	8400	L82J5F3001405	L82J5F3001405	1
Toronto Transit Commission - TTC - Ontario	L860	8401	8504	L82J0F3001554	L82JXF3001805	104
Toronto Transit Commission - TTC - Ontario	L937	8510	8617	L82J9G3750001	L82J3G3750401	108
University of Alabama - Alabama	L902	7030	7030	L82J2F4500993	L82J4F4500994	2
University of Alabama - Alabama	L961	7032	7033	L82J7G9775294	L82J9G9775295	2
University of Alabama - Alabama	LA02	7034	7037	L82J8G9775546	L82JXG9775550	4
Vancouver Airport Authority - YVR British Columbia	L912	173	178	L82L5F3001812	L82L4F3001817	6
Welland Ontario - Metrolinx	L866			L82J9F3001648	L82J9F3001648	1
Welland Ontario - Metrolinx	L933	—	—	L82J1G3750011	L82J1G3750011	1
Welland Ontario - Metrolinx	L991	-	-	L82J9G3750287	L82J9G3750287	1
Whitehorse - Yukon	LA04	—	—	L82J2G3750390	L82J4G3750391	2
Windsor Ontario - Metrolinx	L886	570	577	L82J8F3001818	L82J5F3001825	8
Woodstock - Ontario	L923	15-16	15-16	L82J9F3001746	L82J9F3001746	1
York Regional Transit - Ontario	L896	1501	1517	L82J2F3001619	L82JXF3001741	17
York Regional Transit - Ontario	L936	1518	1518	L82J3G3750012	L82J3G3750012	1
York Regional Transit - Ontario	L967	1601	1621	L82J2G9775414	L82J8G9775627	21
York Regional Transit - Ontario	LA07	1701	1715	L82J9G3750340	L82JXG3750363	15

**WARNING****FOLLOW YOUR INTERNAL SAFETY PROCEDURES.**

PROCEDURE

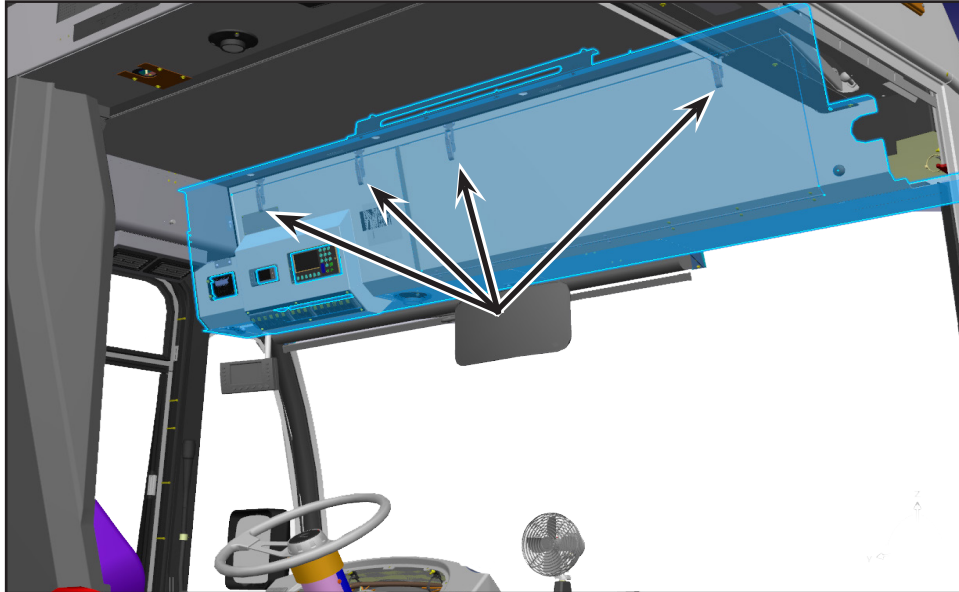


Figure 1 - Destination Sign Door Latches

- 1.1. Open the four destination sign door latches.
- 1.2. Torque the four locknuts with a 7 mm socket to 22 ± 4 lb-in (2.5 ± 0.5 N•m) while holding the screw head with a Phillips screwdriver.

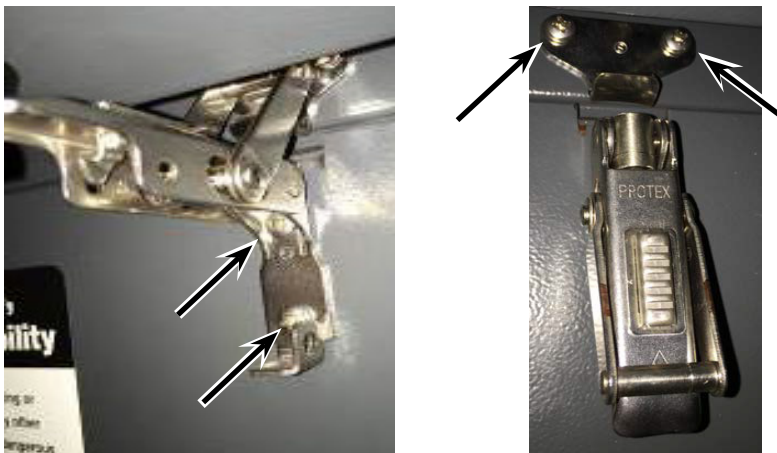


Figure 2 - Torque the Four Nuts and Screws (Shown in Closed Position)

- 1.3. Using a flat head screwdriver, loosen up the set screw until it bottoms out.

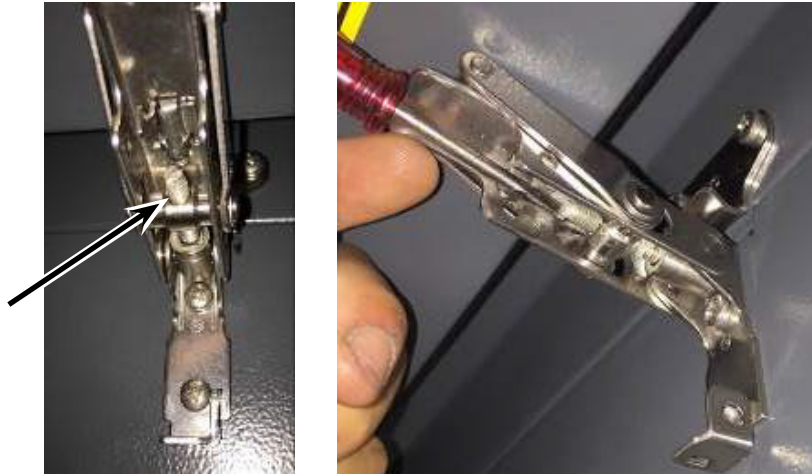


Figure 3 - Loosen the Set Screw

- 1.4. It is recommended to add a medium strength thread locker, such as blue Loctite, then to tighten the set screw about 1/4 in. (6 mm).
- 1.5. Close the destination sign door and lock the latches.
- 1.6. Use a digital force gauge to measure the force required to pull the latch open. Set the units on the gauge for the pounds and use the "PEAK" function.



Figure 4 - Digital Force Gauge, Model HF-200 Shown

- 1.7. Hook the gauge to the bottom of the latch and push the slider up while measuring the pull force. See Figure 5.



Figure 5 - Measure the Force Required to Open the Latch

- 1.8. The minimum specification is 2 lb and the maximum is 10 lb.
- 1.9. If the latch is not within the specification, adjust the set screw using the flat head screwdriver and repeat the test again.
- 1.10. If the latch is within the specification, repeat the steps 1.4 to 1.9 for the other latches.
- 1.11. Close the destination sign doors and lock the latches.
- 1.12. Return the vehicle to service.

