

Pre-Delivery Service

Service Category General

Section Pre-Delivery Service

Market USA



Applicability

YEAR(S)	MODEL(S)	ADDITIONAL INFORMATION
2019	ES300H, ES350	

Introduction

This bulletin contains the vehicle specific pre-delivery services for 2019 model year ES300h and ES350 vehicles. Additionally, refer to the all applicable Lexus model pre-delivery services for general pre-delivery services to be performed.

Warranty Information

OP CODE	DESCRIPTION	TIME	OFF	T1	T2
N/A	Not Applicable to Warranty	-	-	-	-

Procedures

- Front License Plate and Mounting Bracket Installation 2
- D/C Cut Fuse Installation 4
- Front Emergency Towing Eyelet Removal (for CBU vehicles) 5
- Towing Eyelet Hole Cover Installation (for CBU vehicles) 6
- Front Wheel Opening Extension Pad Installation 6

Pre-Delivery Service

Front License Plate and Mounting Bracket Installation

The front license plate mounting bracket and two self-tapping screws for the 2019 model year ES300h and ES350 are stored in the rear cargo area of the vehicle. During Pre-Delivery Service (PDS), install the license plate and the mounting bracket.

Installation Procedure

1. Install the mounting bracket.
 - A. Align holes "A" of the mounting bracket with the dimples on the radiator lower grille.

NOTE

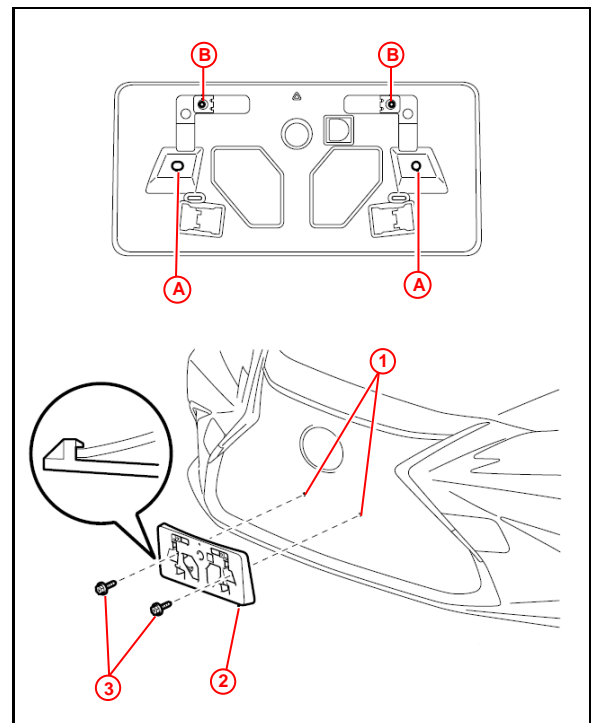
- Holes "A" are used to install the mounting bracket onto the bumper cover.
- Holes "B" are used to install the front license plate onto the mounting bracket.

- B. Engage the two clips and screw the two supplied self-tapping screws directly into the dimples to install the front license plate mounting bracket.

NOTICE

- Do NOT pre-drill holes into the dimples on the front bumper cover.
- Do NOT overtighten the self-tapping screws.

Figure 1.



1	Dimple
2	Mounting Bracket
3	Self-tapping Screw

Pre-Delivery Service

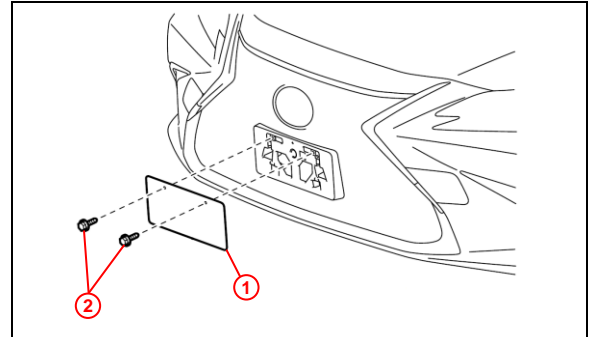
Front License Plate and Mounting Bracket Installation (continued)

2. Install the front license plate onto the mounting bracket using two bolts of non-corroding type with the following dimensions.

Nominal Length: 15.0 mm (0.59 in.)

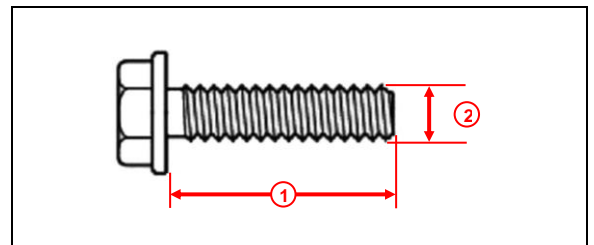
Diameter: 6.0 mm (0.24 in.)

Figure 2.



1	Front License Plate
2	Bolt

Figure 3.



1	Nominal Length
2	Diameter

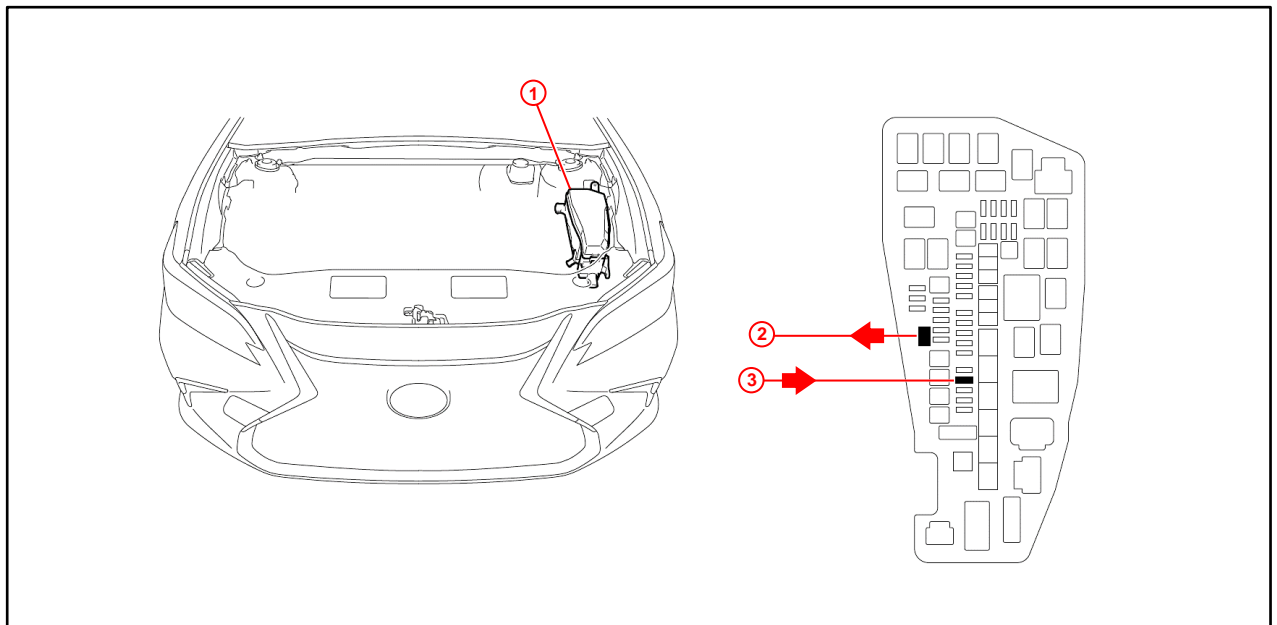
Pre-Delivery Service

D/C Cut Fuse Installation

To minimize battery discharge during transportation and storage, the D/C cut fuse (25A) has been removed at the assembly plant and temporarily stored in the blank space of the relay block in the engine compartment.

During PDS, remove the D/C cut fuse (25A) from the blank space of the relay block in the engine compartment and install it in the location shown.

Figure 4.



1	Relay Block
2	Remove This D/C Cut Fuse (25A)

3	Install D/C Cut Fuse (25A) Here (Original Location)
----------	--

NOTE

While the vehicle is stored at the dealership, disconnect the negative (-) battery terminal to prevent battery discharge. Refer to Service Bulletin No. [L-SB-0108-17](#), "Battery Maintenance During PDS," for battery maintenance information.

Pre-Delivery Service

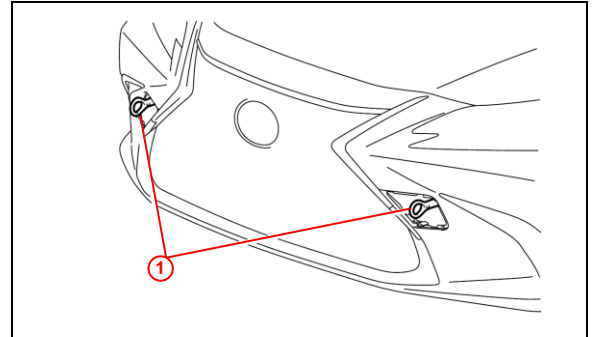
Front Emergency Towing Eyelet Removal (for CBU Vehicles)

1. Remove the front emergency towing eyelets from the front bumper by turning it counterclockwise.

NOTE

If it is difficult to loosen the front emergency towing eyelets, use a steel bar.

Figure 5.



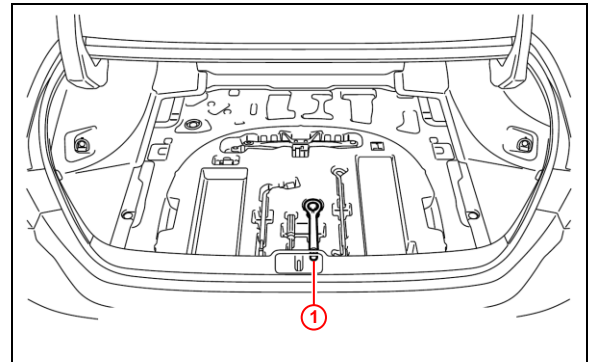
1	Front Emergency Towing Eyelet
----------	--------------------------------------

2. Place one of the removed emergency towing eyelets into the luggage tray in the luggage compartment.

NOTE

Dispose of the other removed emergency towing eyelet.

Figure 6.



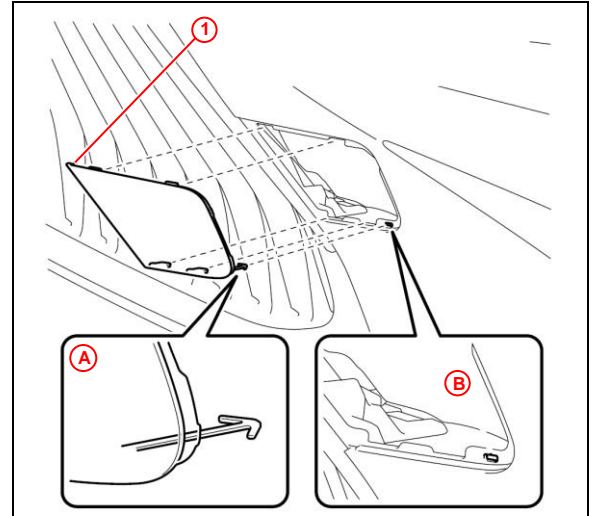
1	Front Emergency Towing Eyelet
----------	--------------------------------------

Pre-Delivery Service

Towing Eyelet Hole Cover Installation (for CBU Vehicles)

1. Install the front emergency towing eyelet hole cover, which are stored in the glove compartment, onto the front bumper.
2. Insert the arrow-shaped tab of the front emergency towing eyelet hole cover "A" into the eyelet hole tab "B" as shown.
3. Install the front emergency towing eyelet hole covers to the hole of the bumper.

Figure 7.



1 Front Emergency Towing Eyelet Hole Cover

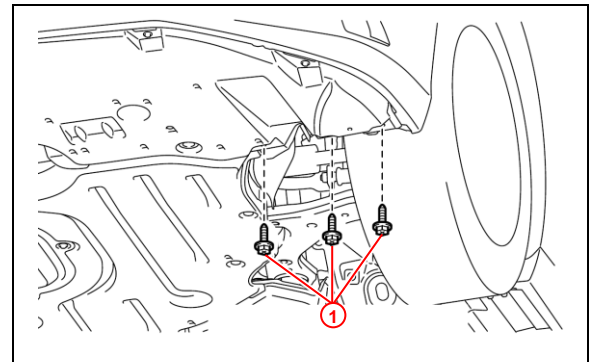
Front Wheel Opening Extension Pad Installation

1. Remove the three self-tapping screws from the left front engine under cover.

NOTE

The removed self-tapping screws will be reused.

Figure 8.



1 Self-tapping Screw

Pre-Delivery Service

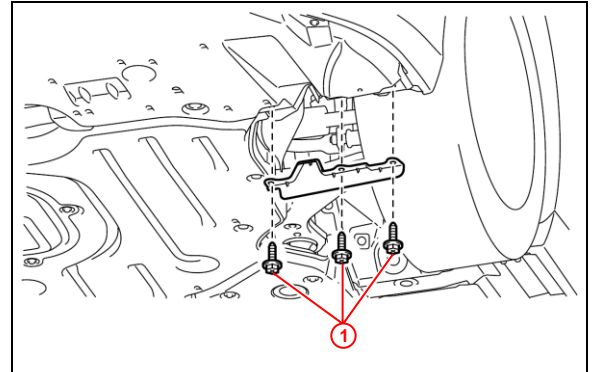
Front Wheel Opening Extension Pad Installation (continued)

2. Place the left front wheel opening extension pad in position.
3. Using the three original self-tapping screws, install the extension pad by tightening the three self-tapping screws as shown.

NOTE

There is a distinguishable mark on each pad indicating the left and right side pads.

Figure 9.



1

Self-tapping Screw

4. Repeat steps 1 – 3 to install the right front wheel opening extension pad.