

# Rear Vibration or Noise While Braking

**Service Category** Drivetrain

**Section** Drive Shaft/Propeller Shaft

**Market** USA

Toyota Supports  
ASE Certification 

## Applicability

YEAR(S)	MODEL(S)	ADDITIONAL INFORMATION
2017 - 2018	Tacoma	

### REVISION NOTICE

July 2, 2018 Rev1:

- The Introduction, Production Change Information, and Repair Procedure sections have been updated.

Any previous printed versions of this bulletin should be discarded.

## Introduction

Some 2017 – 2018 model year Tacoma vehicles with the BD20 differential (non-TRD) may exhibit a noise or vibration from the rear of the vehicle at low speeds or while braking. This condition may be caused by excessive clearance between the brake drum and axle drum flange. Follow the Repair Procedure in this bulletin to address this condition.

## Rear Vibration or Noise While Braking

### Production Change Information

This bulletin applies to vehicles produced **BEFORE** the Production Change Effective VINs shown below.

MODEL	PLANT	DRIVETRAIN	PRODUCTION CHANGE EFFECTIVE VIN
Tacoma	TMMTX	2WD	5TFRX5GN#JX107297
			5TFRZ5CN#JX058047
			5TFAZ5CN#JX057112
			5TFBZ5DN#JX003871
			5TFEZ5CN#JX058044
			5TFAX5GN#JX107948
		4WD	5TFSX5EN#JX058941
			5TFCZ5AN#JX128570
	5TFSZ5AN#JX128576		
	5TFDZ5BN#JX030714		
	TMMBC	2WD	3TMAZ5CN#JM055663
			3TMBZ5DN#JM012887
			3TMEZ5CN#JM055673
		4WD	3TMCZ5AN#JM130501
3TMGZ5AN#JM130495			
3TMDZ5BN#JM038560			

### Warranty Information

OP CODE	DESCRIPTION	TIME	OFF	T1	T2
TC1801	R & R Axle (One Side)	2.6	42311-04082	91	50
Combo A	R & R Axle (Opposite Side)	1.2			

\*Combo A is ONLY applicable if both sides need to be replaced.

#### APPLICABLE WARRANTY

- This repair is covered under the Toyota Powertrain Warranty. This warranty is in effect for 60 months or 60,000 miles, whichever occurs first, from the vehicle's in-service date.
- Warranty application is limited to occurrence of the specified condition described in this bulletin.

## Rear Vibration or Noise While Braking

### Parts Information

PART NUMBER	PART NAME	QTY
42311-04082	Shaft, Rear Axle	1
90942-02081	Bolt Hub, Type B	6
90942-02049	Bolt Hub, Type A	6
42450-04010	Hub & Bearing Assy, Rear Axle (RH)	1
42460-04010	Hub & Bearing Assy, Rear Axle (LH)	1
42443-60010	Drum, Oil Deflector Gasket	1
90301-83002	Ring, O Rear, Axle Bearing Case	1
42444-35050	Brake Drum, Gasket	1
42423-60050	Rear Axle Bearing, Inner Retainer	1
90520-41019	Ring, Snap Rear Axle Shaft	1
90310-58003	Seal, Oil	1

### Required Tools & Equipment

SPECIAL SERVICE TOOLS (SST)	PART NUMBER	QTY
Seal Ring Tool*	<a href="#">09631-12090</a>	1
Oil Seal Puller*	<a href="#">09308-00010</a>	1
Rear Axle Shaft Puller*	<a href="#">09521-25011-01</a>	1
Rear Axle Shaft Puller Adapter*	<a href="#">09521-25021-01</a> or <a href="#">09521-60010-01</a>	1
Hub Bolt Remover	<a href="#">09650-17011</a>	1
Bearing Replacer Set 2*	<a href="#">09950-60020-01</a>	1
Handle Set*	<a href="#">09950-70010-01</a>	1

\*Essential SST.

**NOTE**  
Additional SSTs may be ordered by calling 1-800-933-8335.

REQUIRED TOOLS & MATERIAL	QUANTITY
Measuring Caliper	1
Wire Brush	1

## Rear Vibration or Noise While Braking

### Repair Procedure

1. Confirm the condition exists.

Is a vibration or noise present from the rear of the vehicle at low speeds or while braking?

- **YES** — Continue to step 2.
- **NO** — This bulletin does NOT apply. Continue diagnosis using the applicable Repair Manual.

2. Inspect the rear drum and brake assembly for ANY signs of defects or wear.

Refer to TIS, applicable model and model year Repair Manual:

- [2017](#) / [2018](#) Tacoma:  
*Brake – Brake (rear) – “Brake: Rear Brake: Inspection”*

Does the rear drum or brake assembly exhibit ANY signs of defect or wear?

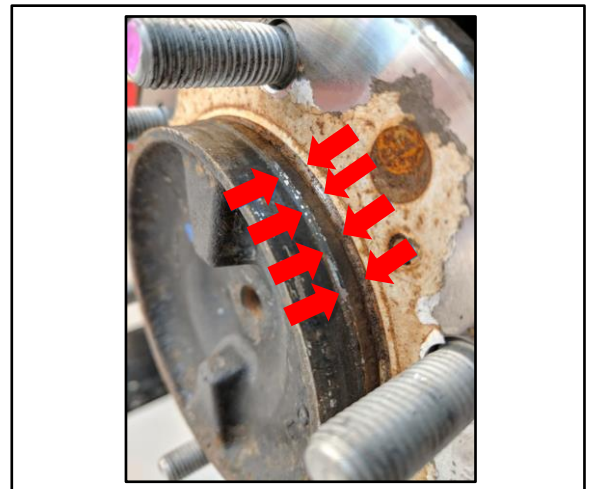
- **YES** — This bulletin does NOT apply. Continue diagnosis using the applicable Repair Manual.
- **NO** — Continue to step 3.

3. Visually inspect the rear axle flange for corrosion/rust buildup.

Does the vehicle exhibit ANY corrosion/rust buildup on the rear axle flange?

- **YES** — Using a wire brush, remove the corrosion/rust buildup, then continue to step 4.
- **NO** — Continue to step 4.

**Figure 1. Inspection Location**



## Rear Vibration or Noise While Braking

### Repair Procedure (continued)

4. Measure the diameter of the axle flange (location is illustrated in Figure 4).
  - A. Using a digital or dial caliper, measure the axle flange boss diameter (as shown in Figure 2).
  - B. Take measurements in three locations (as shown in Figure 3) around the flange to verify the diameter.

Figure 2.



Figure 3.

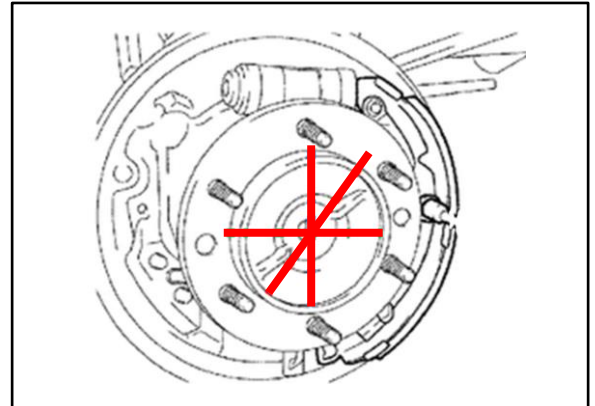
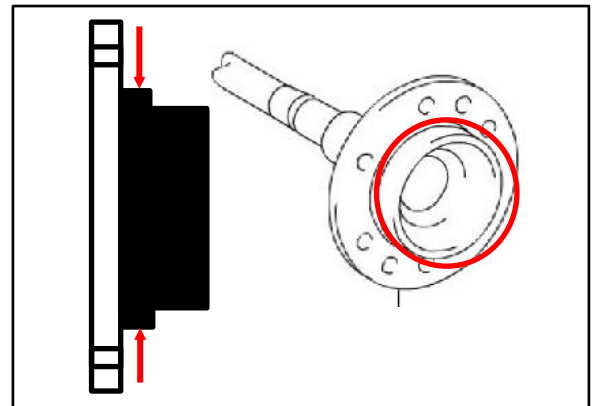


Figure 4. Side View and Location of Axle Flange



5. Is the axle flange boss diameter out of specification?  
**Specification: 108.000 mm – 107.946 mm (4.252 in. – 4.250 in.)**
  - **YES** — Continue to step 6.
  - **NO** — This bulletin does NOT apply. Continue diagnosis using the applicable Repair Manual.

## Rear Vibration or Noise While Braking

---

### Repair Procedure (continued)

6. Replace the axle.

Refer to TIS, applicable model and model year Repair Manual:

**NOTE**

During Repair Manual step 5A (“Install rear axle shaft”) of Reassembly, use SST 09631-12090.  
Do NOT use SST 09521-25011.

- 2017 Tacoma:  
*Drivetrain – Axle – “Axle: Rear Axle Shaft: [Removal](#) / [Disassembly](#) / [Reassembly](#) / [Installation](#)”*
- 2018 Tacoma:  
*Drivetrain – Axle – “Axle: Rear Axle Shaft: [Removal](#) / [Disassembly](#) / [Reassembly](#) / [Installation](#)”*

7. Test drive the vehicle to confirm the noise or vibration is no longer present.