

**Eliminating Symptoms on Brakes: Replacing Brake Pedal Mount (Brake pedal does not return completely to its end position following actuation/SY2713)**

**General information**

**Symptom**

Customers complain that the brake pedal does not always return completely to its end position following actuation.

**Cause and remedial action**

**Cause**

At high temperatures and high humidity, the brake-pedal bearing shaft can swell slightly. As a result, there may be a higher pedal return force after pressing the brake pedal and the brake pedal does not return completely to its end position.

Model Year: **2011 to 2014 - Cayenne (92A) Models**

**2012 to 2014 - Sports Cars (9x1) Models**

**Remedial Action**

Install new brake pedal mount.

**Tools and materials**

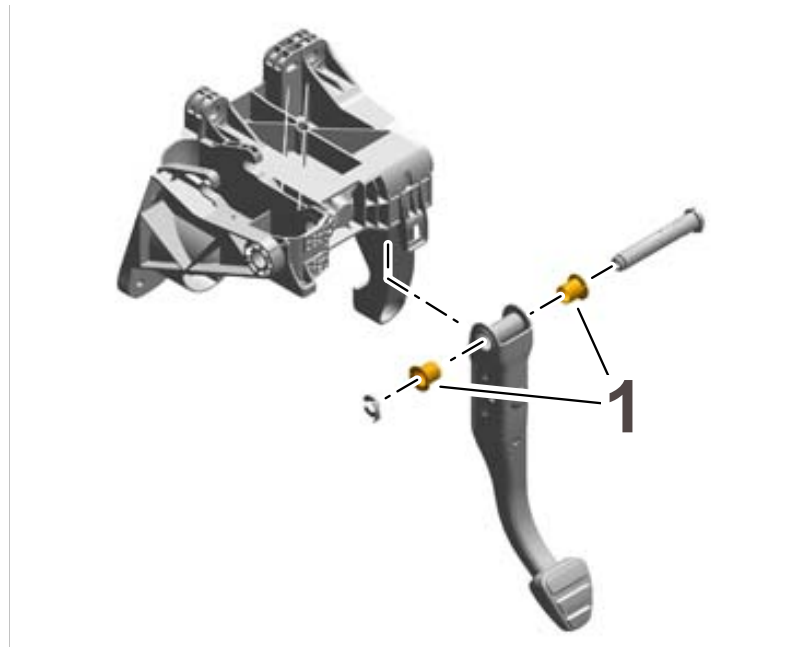
**Tools and materials**

<b>Part No.:</b>	<b>Designation:</b>
7PP.721.113 A	⇒ Brake pedal mount

## Replacing brake pedal mount

### Replacing brake pedal mount - Sports Cars (9x1)

- 1 Remove brake pedal. ⇒ *Workshop Manual '460519 Removing and installing brake pedal - section on "Removing"*
- 2 Replace bushing at the left and right ⇒ *Replacing brake pedal mount -1-*.

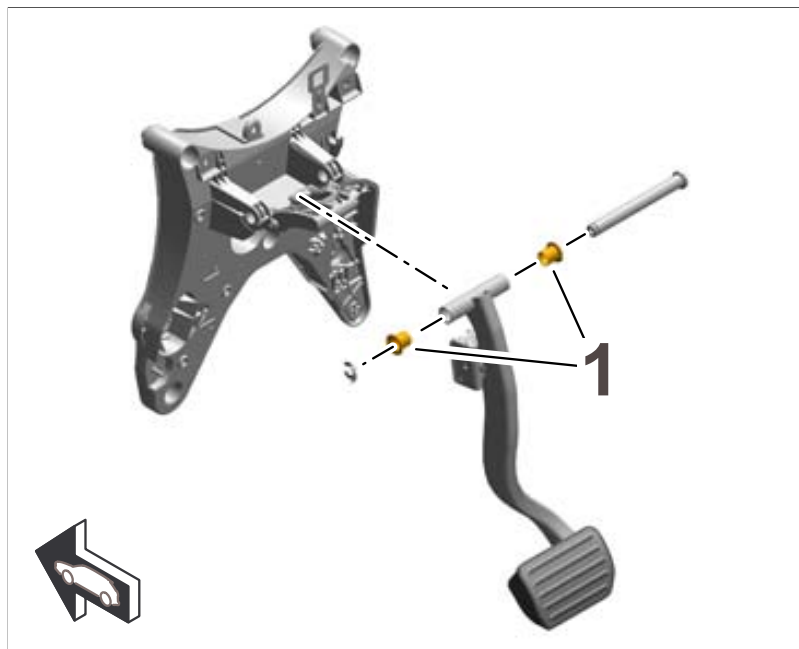


*Replacing brake pedal mount*

- 3 Install brake pedal. ⇒ *Workshop Manual '460519 Removing and installing brake pedal - section on "Installing"*

## Replacing brake pedal mount - Cayenne (92A)

- 4 Remove brake pedal. ⇒ *Workshop Manual '460519 Removing and installing brake pedal - section on "Removing"*
- 5 Replace bush at the left and right ⇒ *Replacing brake pedal mount -1-*.



*Replacing brake pedal mount*

- 6 Install brake pedal. ⇒ *Workshop Manual '460519 Removing and installing brake pedal - section on "Installing"*

**Invoicing****Invoicing - Sports Cars (9x1)**

The work involved is invoiced under the labor operation:

APOS	Labor operation	I No.
46085540	Replacing brake pedal mount (on vehicles with I-no. 480 "Manual transmission")	

APOS	Labour operation	I No.
46085545	Replacing brake pedal mount (on vehicles with I-no. 250 "PDK transmission")	

For invoicing and documentation using PQIS, enter the following coding:

Location (FES5)	46080	Brake pedal mount
Damage type (SA4)	9735	Repair in accordance with PAG instructions

**Invoicing - Cayenne (92A)**

The work involved is invoiced under the labor operation:

APOS	Labor operation	I No.
46085540	Replacing brake pedal mounts	

For invoicing and documentation using PQIS, enter the following coding:

Location (FES5)	46080	Brake pedal mount
Damage type (SA4)	9735	Repair in accordance with PAG instructions

**Important Notice:** Technical Bulletins issued by Porsche Cars North America, Inc. are intended only for use by professional automotive technicians who have attended Porsche service training courses. They are written to inform those technicians of conditions that may occur on some Porsche vehicles, or to provide information that could assist in the proper servicing of a vehicle. Porsche special tools may be necessary in order to perform certain operations identified in these bulletins. Use of tools and procedures other than those Porsche recommends in these bulletins may be detrimental to the safe operation of your vehicle, and may endanger the people working on it. Properly trained Porsche technicians have the equipment, tools, safety instructions, and know-how to do the job properly and safely. Part numbers listed in these bulletins are for reference only. The work procedures updated electronically in the Porsche PIWIS diagnostic and testing device take precedence and, in the event of a discrepancy, the work procedures in the PIWIS Tester are the ones that must be followed.

© 2018 Porsche Cars North America, Inc.