

# Rear Suspension Silencer Pad Squeak Noise

**Service Category** Suspension

**Section** Rear Suspension

**Market** USA

Toyota Supports  
 ASE Certification 

## Applicability

YEAR(S)	MODEL(S)	ADDITIONAL INFORMATION
2016 - 2018	Tacoma	VDS(s): AX5GN, AZ5CN, BZ5DN, CZ5AN, DZ5BN, EZ5CN, FZ5DN, GZ5AN, HZ5BN, RX5GN, RZ5CN, SX5EN, SZ5AN Engine(s): 2GR, 2TR Body Type(s): C CAB, D CAB Transmission(s): 5MT, 6MT, 6AT

### REVISION NOTICE

#### June 8, 2018 Rev2:

- **Applicability has been updated to include 2018 model year Tacoma vehicles.**
- **The entire bulletin has been updated.**

#### October 13, 2017 Rev1:

- **The Warranty Information and Repair Procedure sections have been updated.**
- Any previous printed versions of this bulletin should be discarded.**

## Introduction

Some 2016 – 2018 model year Tacoma vehicles may exhibit a squeak noise from the rear leaf spring when traveling over speed bumps or with movement from loading and unloading the suspension. Follow the Repair Procedure in this bulletin to address this condition.

## Rear Suspension Silencer Pad Squeak Noise

### Production Change Information

This bulletin applies to vehicles produced **BEFORE** the Production Change Effective VINs shown below.

FRAME	PLANT	DRIVETRAIN	PRODUCTION CHANGE EFFECTIVE VIN
GRN330L	TMMBC	2WD	3TMBZ5DN#JM013637
GRN325L			3TM#Z5CN#JM059763
GRN310L		4WD	3TMDZ5BN#JM041363
GRN305L			3TM#Z5AN#JM140174
GRN330L	TMMTX	2WD	5TFBZ5DN#JX003975
GRN325L			5TF#Z5CN#JX060485
TRN265L			5TF#X5GN#JX112790
GRN310L		4WD	5TFDZ5BN#JX033036
GRN305L			5TF#Z5AN#JX137281
TRN245L			5TFSX5EN#JX059606

### Warranty Information

OP CODE	DESCRIPTION	TIME	OFF	T1	T2
SU1608	R & R Spring Silencer Pad (Both Sides)	1.4	482#0-0###0*	91	41

\*For OFF, use the rear spring assembly part number for the vehicle that is being repaired.

#### APPLICABLE WARRANTY

- This repair is covered under the Toyota Comprehensive Warranty. This warranty is in effect for 36 months or 36,000 miles, whichever occurs first, from the vehicle's in-service date.
- Warranty application is limited to occurrence of the specified condition described in this bulletin.

### Parts Information

PART NUMBER	PART NAME	QTY
04007-39104	Spacer Kit, RR Spring	1*

\*Each kit includes five pads per leaf pack assembly. If both sides are to be replaced, order two kits.

## Rear Suspension Silencer Pad Squeak Noise

### Repair Procedure

#### Verify Source of Squeak Noise

1. Confirm the noise is present by jouncing the rear suspension.
  - A. Lift the vehicle by the frame to allow the rear suspension to hang.
  - B. Place a rag between the spring insulator and the leaf spring.
  - C. Lower the vehicle and jounce the vehicle. If the noise goes away, the source of the noise is the leaf spring pad.
2. AFTER isolating ALL pads using rags, if the noise continues to persist, then the noise is NOT from the leaf spring pad. This Service Bulletin does NOT apply. Continue diagnosis using the applicable Repair Manual.

**NOTE**

Perform the following procedures on both the RH and LH sides of the vehicle.

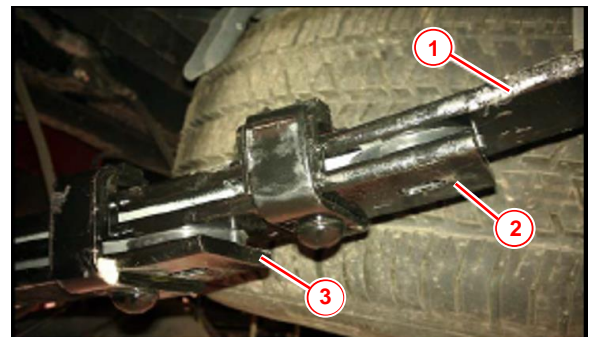
#### Spring Pad Removal

1. Lift the vehicle by the frame to allow the rear suspension to hang.
2. Using a pry bar, separate the two smaller C-clips located at each end.
3. Using a pry bar or large flat screwdriver, separate the No. 1 and No. 2 leaves.

**NOTICE**

Be careful NOT to scratch the spring surface with the pry bar, pick, punch, screwdriver, or other tools. Wrap the tool with electrical tape to protect the leaf from scratches.

**Figure 1.**



<b>1</b>	No. 1 Leaf
<b>2</b>	No. 2 Leaf
<b>3</b>	No. 3 Leaf

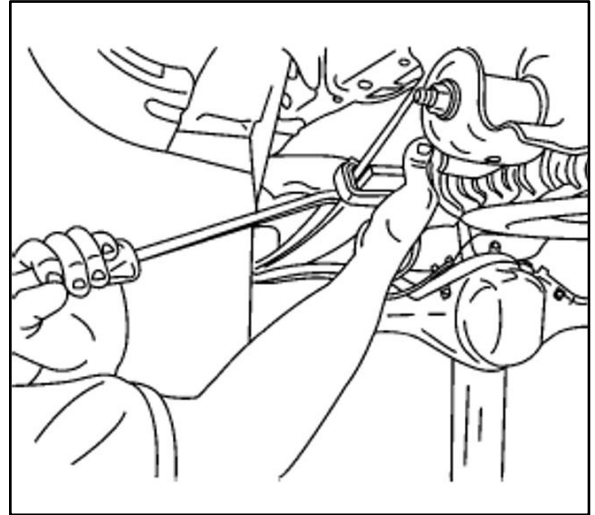
## Rear Suspension Silencer Pad Squeak Noise

### Repair Procedure (continued)

#### Spring Pad Removal (continued)

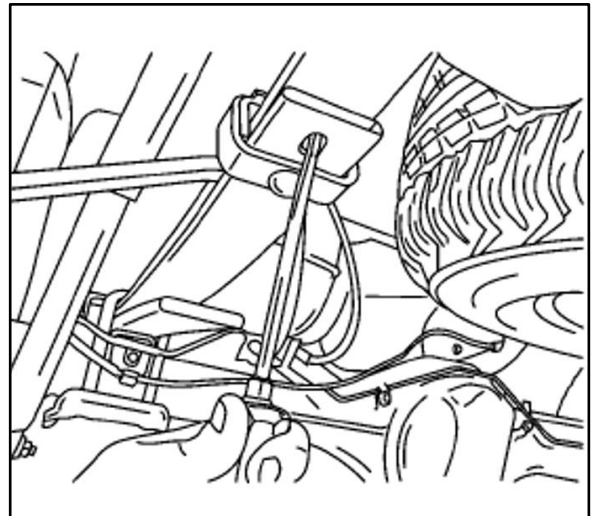
4. Use a pry bar as a wedge to hold the leaf spring apart when removing the spring pad.

Figure 2.



5. Use a pick, punch, or screwdriver to push upward on the spring silencer pad from the underside of the spring pack through the access hole.

Figure 3.



6. Pushing the spring pad up high enough, use a sharp-edged chisel to break the stem.
7. Remove the OLD leaf spring pad and discard.
8. Using brake cleaner or equivalent, remove ALL grease and dirt between the leaf springs.

**NOTE**

- Remove ALL grease and grease residue. DO NOT APPLY GREASE TO THE PAD AND SPRING SURFACE.
- Do NOT install the new pad at this point. Due to tight clearances of the leaf spring pack, installation procedure is a separate step.

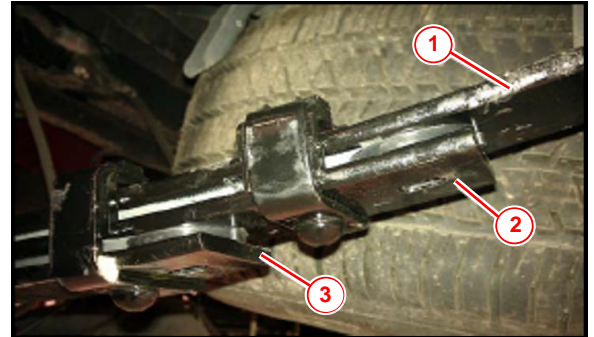
## Rear Suspension Silencer Pad Squeak Noise

### Repair Procedure (continued)

#### Spring Pad Removal (continued)

9. Using a pry bar or large screwdriver, separate the No. 2 and No. 3 leaves.

**Figure 4.**



<b>1</b>	<b>No. 1 Leaf</b>
<b>2</b>	<b>No. 2 Leaf</b>
<b>3</b>	<b>No. 3 Leaf</b>

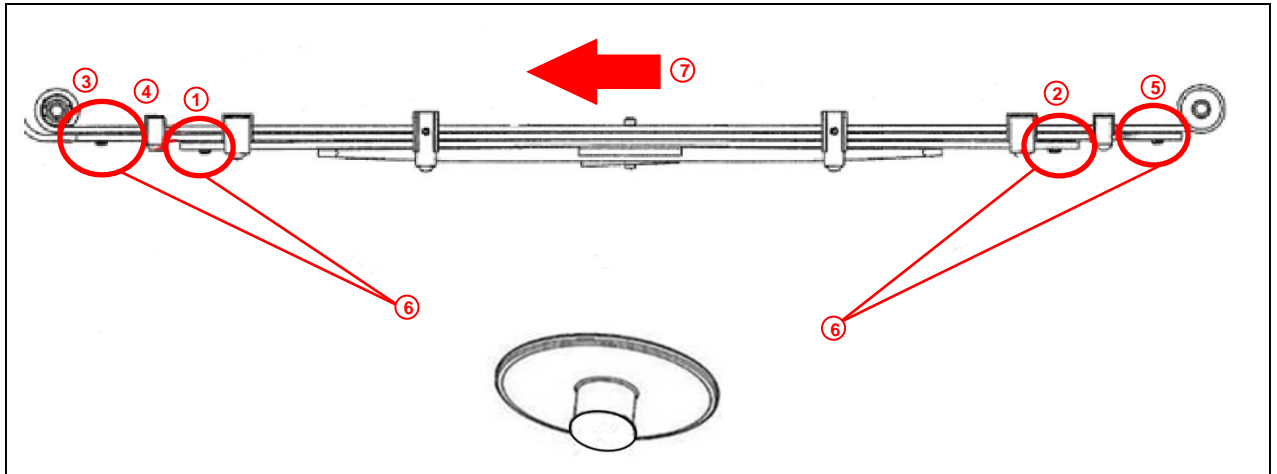
10. Use a pick, sharp-edged chisel, or a screwdriver to push upward on the spring silencer pad from the underside of the spring pack through the access hole.
11. Pushing the spring pad up high enough, use a punch to break the stem.
12. Remove the OLD leaf spring pad and discard.
13. Using brake cleaner or equivalent, remove ALL grease and dirt between the leaf springs.

## Rear Suspension Silencer Pad Squeak Noise

### Repair Procedure (continued)

#### Spring Pad Installation

**Figure 5.**



<b>1 – 5</b>	<b>Order of New Pad Installation (Correlating Steps Below)</b>
<b>6</b>	<b>Silence Pad Location</b>
<b>7</b>	<b>Front of Vehicle</b>

1. Install the NEW spring pad into the No. 3 leaf pack. It may be necessary to use another pry bar to seat the spring pad into the mounting hole on the leaf spring assembly.
2. Pry open the gap between the No. 1 and No. 2 leaves.
3. Install the NEW spring pad into the No. 2 leaf pack. It may be necessary to use another pry bar to seat the spring pad into the mounting hole on the leaf spring assembly.
4. Repeat for the front pad and then for the leaf spring on the opposite side.

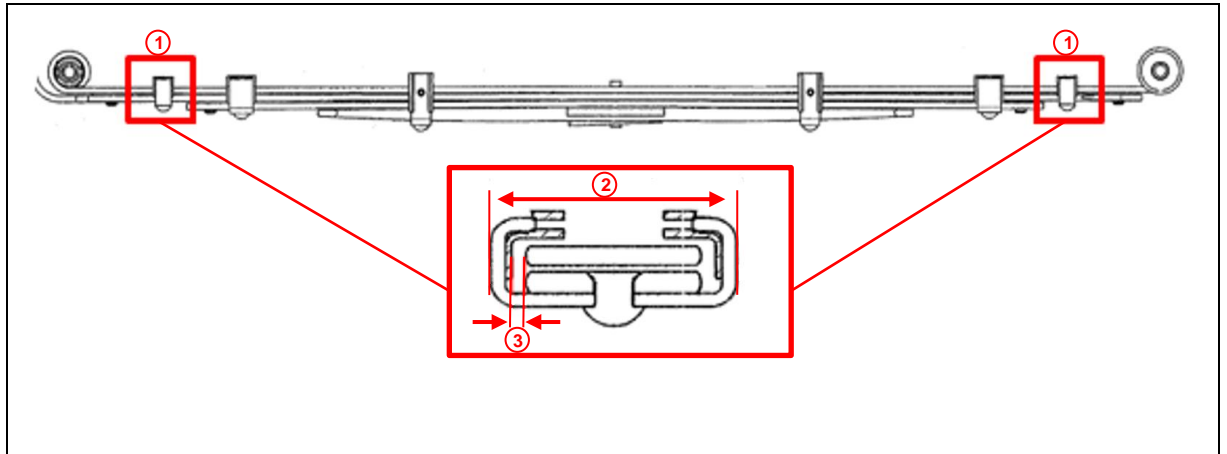
## Rear Suspension Silencer Pad Squeak Noise

### Repair Procedure (continued)

#### Spring Pad Installation (continued)

- Using a C-clamp, compress the C-clip back into its original position. Check the clearance to ensure no contact is made. Repeat on other side (two clips in total).

Figure 6.



1	Clip
2	84 mm Max
3	0.5 mm (Min), 4.5 mm (Max)

- Test drive the vehicle to confirm the repair.