



LTB01174NAS1

TECHNICAL BULLETIN

01 MAY 2018

© Jaguar Land Rover North America, LLC

NOTE: The information in Technical Bulletins is intended for use by trained, professional Technicians with the knowledge, tools, and equipment required to do the job properly and safely. It informs these Technicians of conditions that may occur on some vehicles, or provides information that could assist in proper vehicle service. The procedures should not be performed by 'do-it-yourselfers'. If you are not a Retailer, do not assume that a condition described affects your vehicle. Contact an authorized Land Rover service facility to determine whether this bulletin applies to a specific vehicle.

INFORMATION

SECTION:

501-14: Handles, Locks, Latches and Entry Systems

SUBJECT/CONCERN:

Emergency Key Barrel Cover Adrift

AFFECTED VEHICLE RANGE:

MODEL:	MODEL YEAR:	VIN:	ASSEMBLY PLANT:
Discovery Sport (LC)	2017 Onwards	633943 Onwards	Halewood
Discovery (LR)	2017 Onwards	000532 Onwards	Solihull
Range Rover Evoque (LV)	2017 Onwards	168185 Onwards	Halewood

MODEL:	MODEL YEAR:	VIN:	ASSEMBLY PLANT:
Range Rover Sport (LW)	2017 Onwards	124031 Onwards	Solihull
Range Rover Sport (LW)	2017-2018	666892-699998	Solihull
Range Rover Sport (LW)	2018 Onwards	400000 Onwards	Solihull
Range Rover (LG)	2017 Onwards	320324 Onwards	Solihull

MARKETS:

NORTH AMERICA

CONDITION SUMMARY:

SITUATION:

On vehicles with body color emergency key barrel covers, the cover in the driver's door exterior handle may become adrift.

NOTE:

This issue does not affect vehicles with chrome emergency key barrel covers.

CAUSE:

This may be caused by insufficient retaining features on the driver's door exterior handle gasket.

ACTION:

Should a customer express this concern, follow the Workshop Procedure below.

PARTS:

NOTE:

An allowance of \$52.00 USD or local equivalent has been allocated to cover the cost of paint and materials. Claim using 'ZZZ001'.

PART NUMBER	DESCRIPTION	QUANTITY
LR117080	Front exterior door handle gasket	1
LR048299	Left Hand Drive (LHD) door handle cap	1
*ZZZ001	Paint materials	\$52.00 USD or local equivalent

WARRANTY:

NOTE:

An allowance of \$52.00 USD or local equivalent has been allocated to cover the cost of paint and materials. Claim using 'ZZZ001'.

NOTES:

- Repair procedures are under constant review, and therefore times are subject to change; those quoted here must be taken as guidance only. Always refer to JLR claims submission system to obtain the latest repair time.
- The JLR Claims Submission System requires the use of causal part numbers. Labor only claims must show the causal part number with a quantity of zero.

DESCRIPTION	SRO	TIME (HOURS)	CONDITION CODE	CAUSAL PART
Front exterior door handle - Gasket - Renew - Discovery Sport (L550)	76.58.51	0.8	39	LR087704
Front exterior door handle - Gasket - Renew - Discovery (L462)	76.58.51	0.8	39	LR087704
Front exterior door handle - Gasket - Renew - Range Rover Evoque (L538)	76.58.51	0.5	39	LR087704
Front exterior door handle - Gasket - Renew - Range Rover Sport (L494), Range Rover (L405)	76.58.51	0.7	39	LR087704

NOTE:

Normal Warranty procedures apply.

WORKSHOP PROCEDURE:

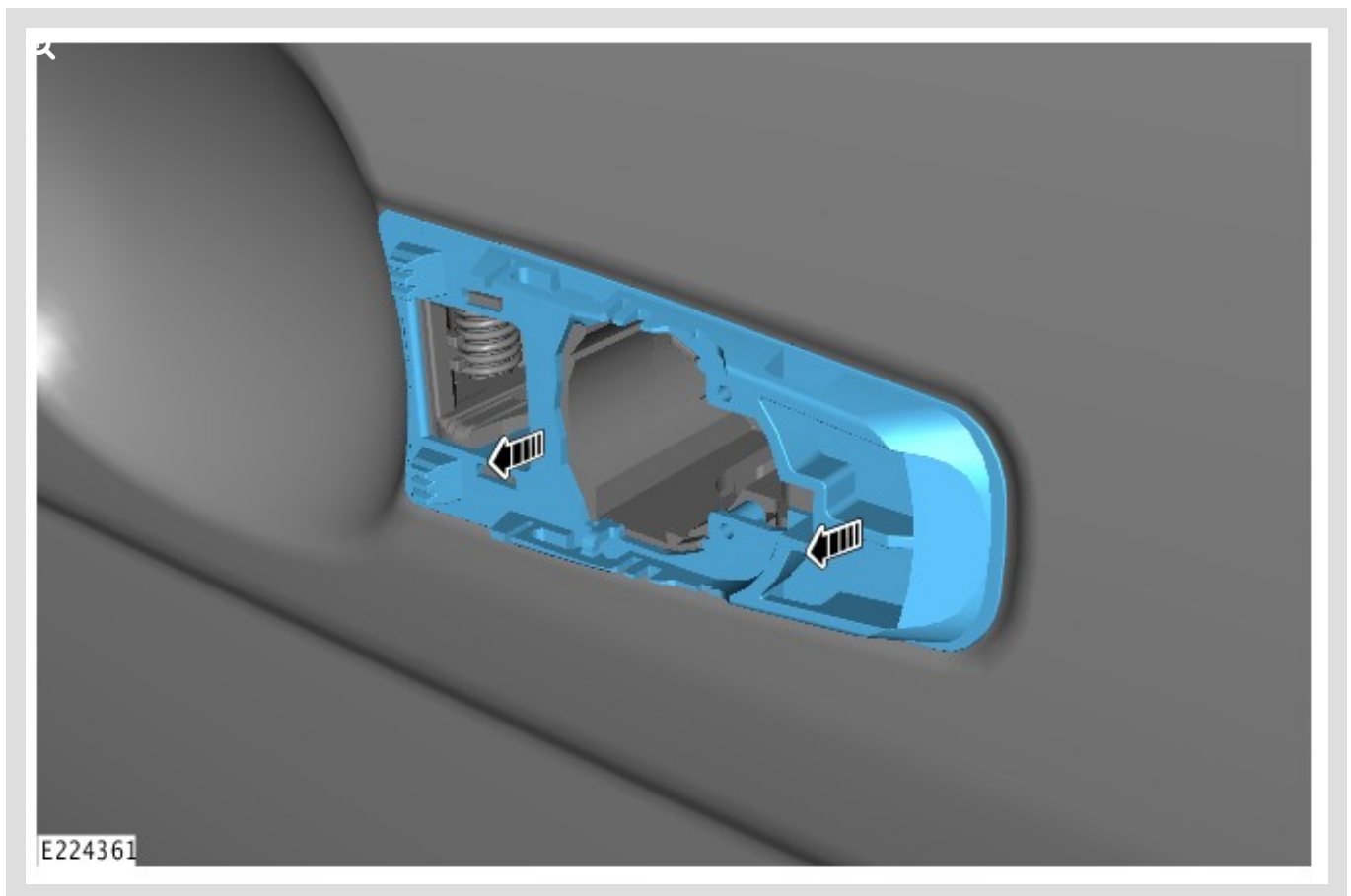
This Workshop Procedure is applicable to the front left door only.

ⓘ CAUTION:

Protect the surrounding paintwork to avoid damage.

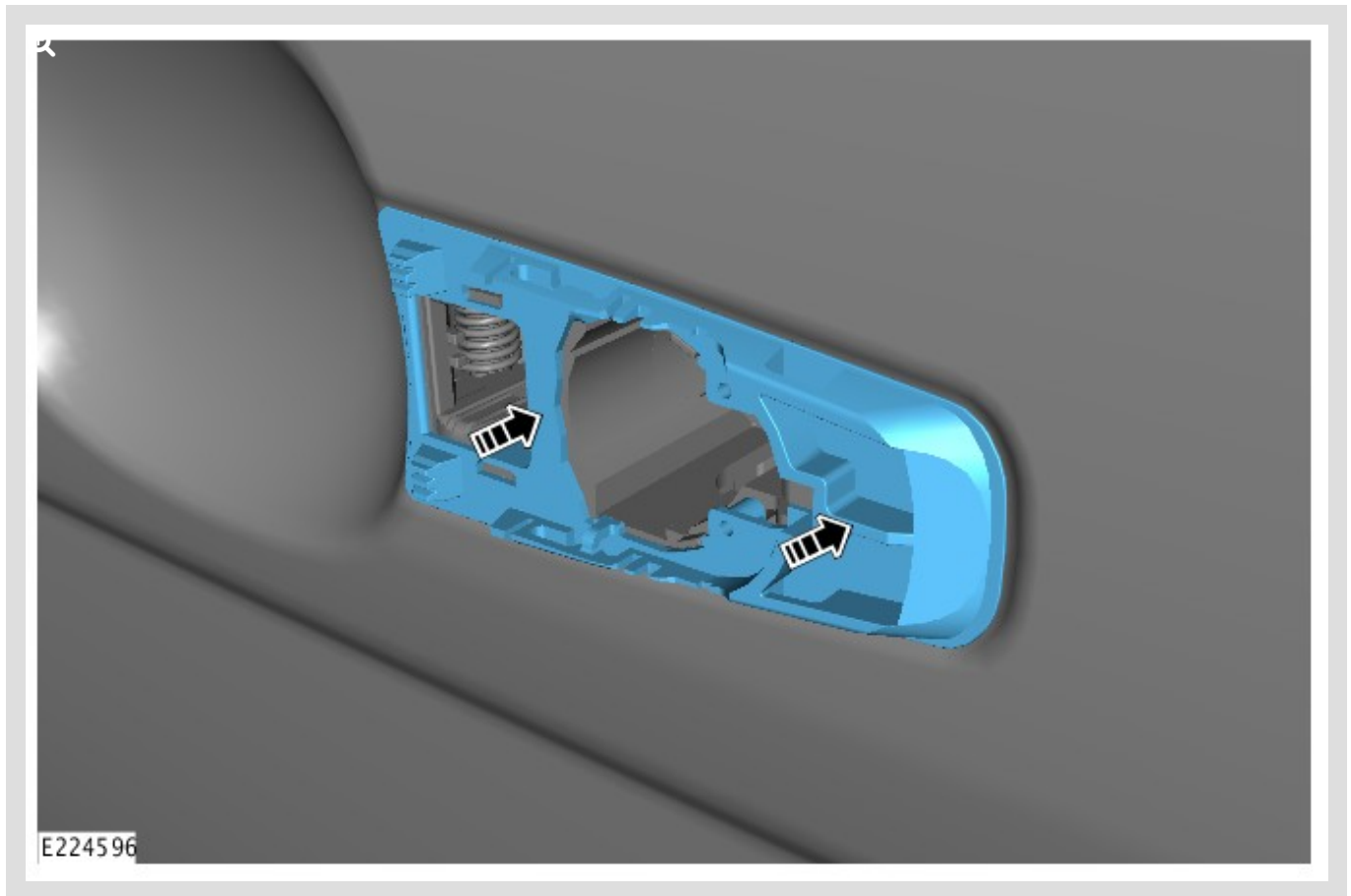
- 1 Remove the front left door exterior handle (see TOPIx Workshop Manual section: 501-14: Handles, Locks, Latches and Entry Systems - Removal and Installation - Exterior Front Door Handle).

2



Remove the front left door exterior handle gasket.

3



Install the new front left door exterior handle gasket.

4

Install the front left door exterior handle (see TOPIx Workshop Manual section: 501-14: Handles, Locks, Latches and Entry Systems - Removal and Installation - Exterior Front Door Handle).

5

 **NOTE:**

The new emergency key barrel cover must be painted before installation.

Install the new emergency key barrel cover.