

July 3, 2018

Version 1

## 2014-16 MDX: Steering Column Screeches When Moving

### AFFECTED VEHICLES

Year	Model	Trim	VIN Range
2014-15	MDX	ALL	ALL
2016	MDX	2WD	5FRYD3H..GB000001 thru 5FRYD3H..GB020812
2016	MDX	SH-AWD	5FRYD4H..GB000001 thru 5FRYD4H..GB060678

### SYMPTOM

In high ambient temperatures, the steering column screeches or squeals when it is adjusted in or out.

### POSSIBLE CAUSES

The steering column gearbox components are prematurely wearing.

### CORRECTIVE ACTION

Replace the steering column gear box.

### REQUIRED TOOLS

Tool Name	Part Number	Quantity
5 mm Stubby Hex Wrench	Snap-on AWMBS5 (part of hex key set AWMBS9, but available separately as a repair part) or equivalent	1
5 mm Torque Adapter	T/N 07AAA-TZ5A100	1

### PARTS INFORMATION

Part Name	Part Number	Quantity
Column Assembly Kit	06532-TZ5-305	1

**CLIENT INFORMATION:** The information in this bulletin is intended for use only by skilled technicians who have the proper tools, equipment, and training to correctly and safely maintain your vehicle. These procedures should not be attempted by "do-it-yourselfers," and you should not assume this bulletin applies to your vehicle, or that your vehicle has the condition described. To determine whether this information applies, contact an authorized Acura automobile dealer.

## WARRANTY CLAIM INFORMATION

The normal warranty applies.

Operation Number	Description	Flat Rate Time	Defect Code	Symptom Code	Template ID	Failed Part Number
5101E2	Replace the steering column gear box.	0.8 hr	07409	04201	B18033A	53200-TZ5-A51

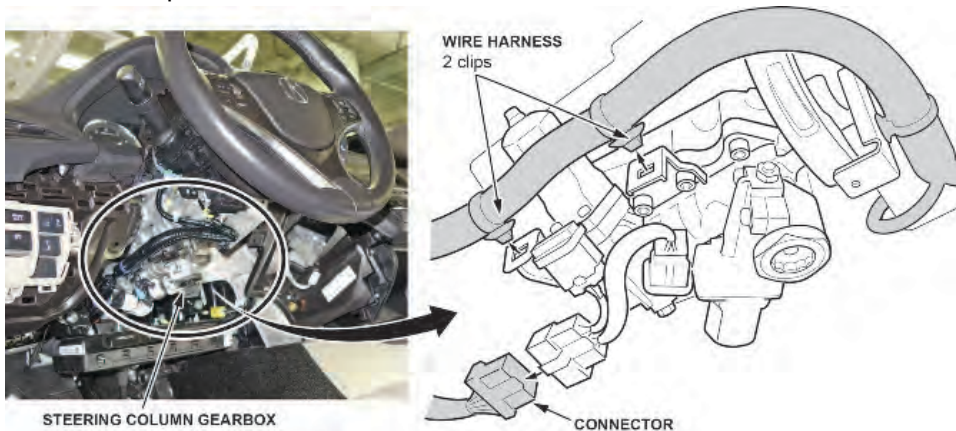
Skill Level: Repair Technician

## REPAIR PROCEDURE

1. Remove the driver's dashboard lower cover and the driver's dashboard center lower cover.
2. Remove the steering column upper and lower covers.
3. Adjust the steering column tilt fully down and telescoped fully in (toward the instrument panel).



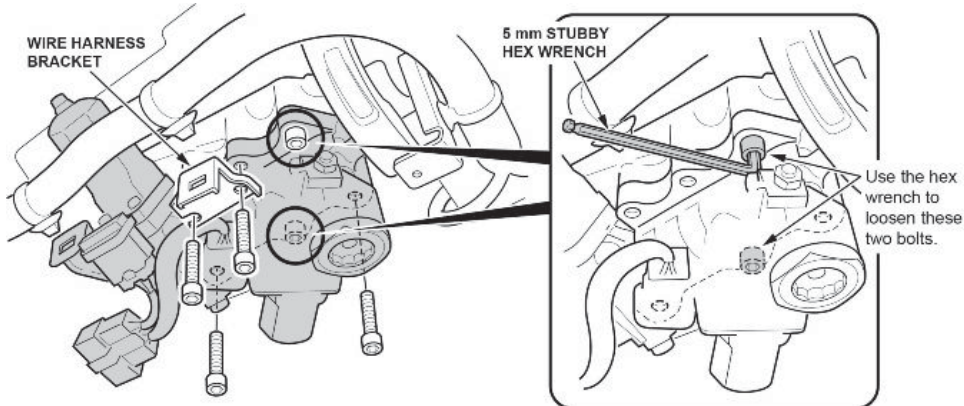
4. Detach the clips that hold the wire harness to the metal brackets, and disconnect the connector.



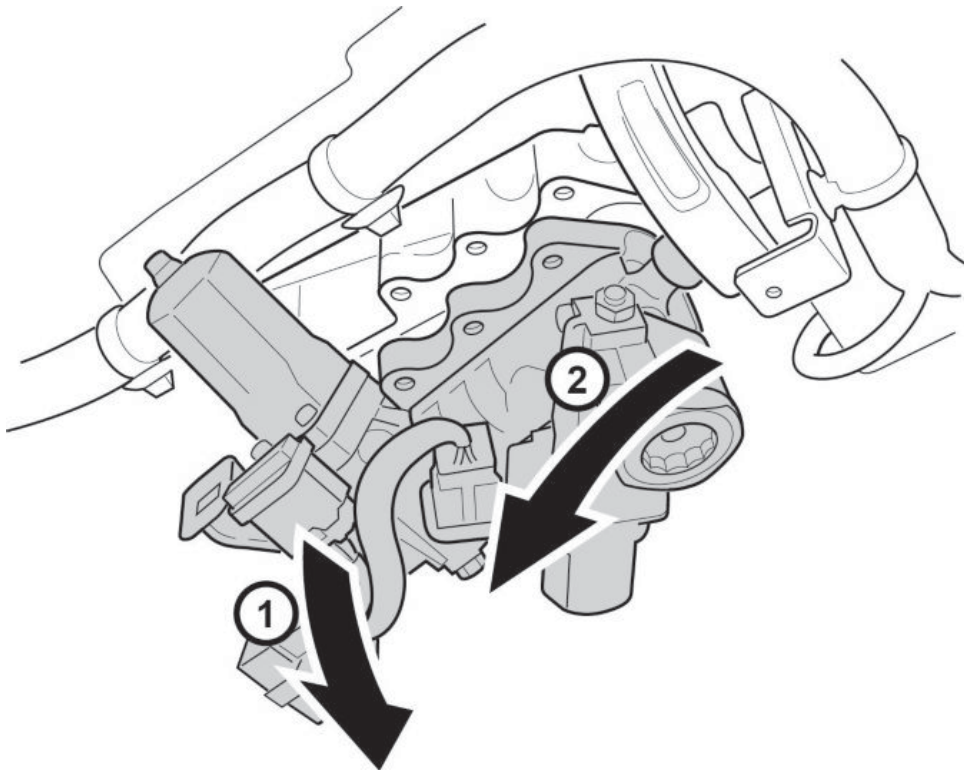
5. Remove the six bolts that attach the steering column gearbox to the steering column.

**NOTE**

A 5 mm stubby hex wrench (Snap-on AWMB5 or equivalent) is needed to remove the two bolts that have limited clearance. Do not use the torque adapter (T/N 07AAA-TZ5A100) to loosen the bolts as this may damage the adapter.



6. Remove the gearbox by pulling the front portion (firewall end) of the gearbox down, then slide the entire gearbox toward the firewall.

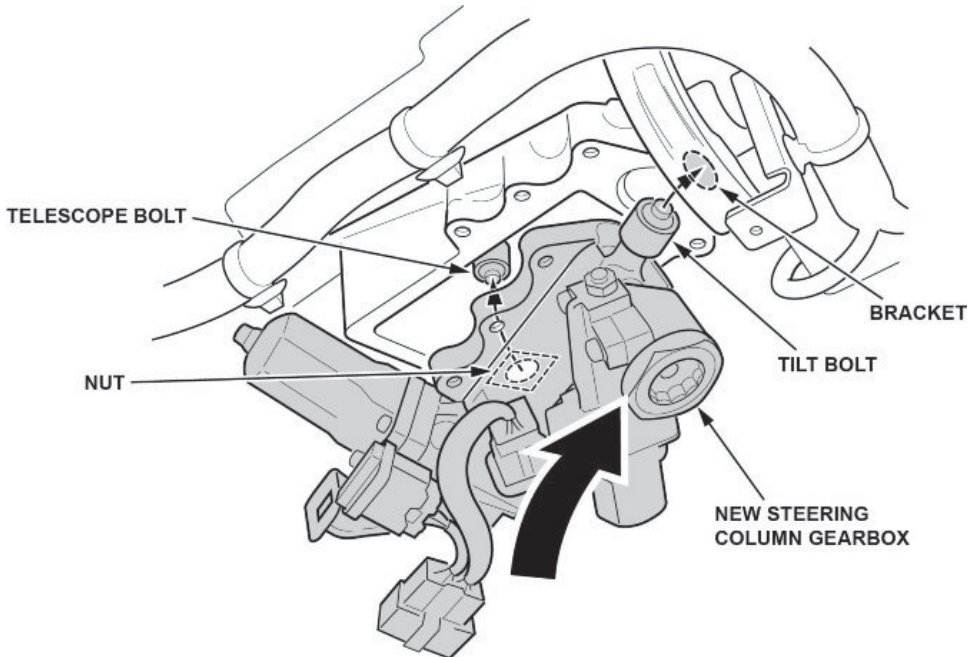




7. Push the steering wheel up.



8. Slide the tilt bolt into the bracket, then bring the gearbox up to engage the telescope bolt and nut.

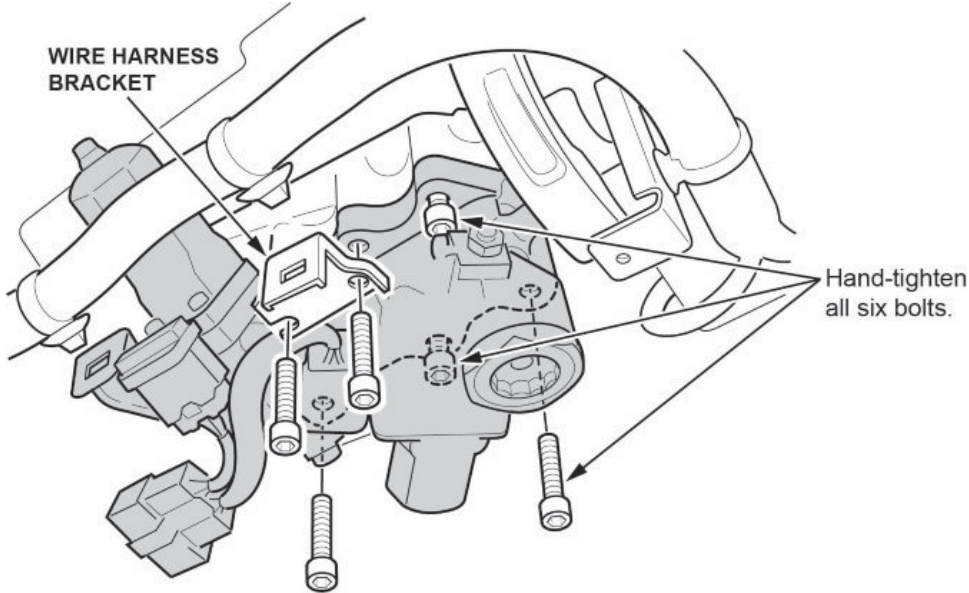


**NOTE**

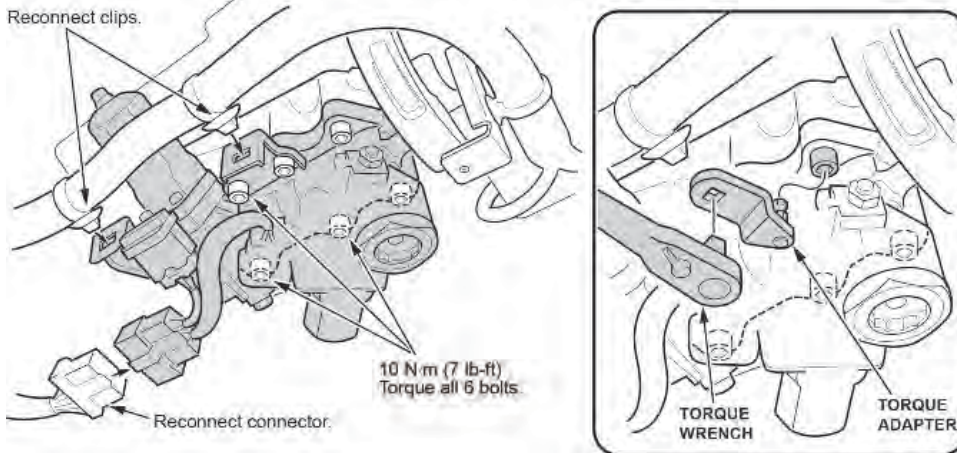
Be careful not to allow contaminants to enter the steering column or gearbox.

9. Move the steering wheel down, install one bolt on each side of the gearbox, and hand tighten them to draw the gearbox into place.

10. Install the remaining bolts hand-tight. Be sure to install the wire harness bracket to the left side of the gearbox.



11. Use the torque adapter (T/N 07AAA-TZ5A100) and a ¼" drive torque wrench to torque the bolts to **10 N·m (7 lb-ft)**.



12. Install the driver's dashboard lower cover and driver's dashboard center lower cover.

13. Clip the wire harness to the metal brackets, and plug the electrical connector into the gearbox.

14. Relearn the soft stops using the following procedure:

- Make sure the ignition is turned to OFF.
- Press and hold the SET button on the driver's door.
- Turn the ignition to ON but do not start the engine.
- Release the SET button.
- Turn the ignition to OFF.
- Repeat the above steps two more times (total of 3 cycles).
- Press and hold the SET button.
- Turn the ignition to ON but do not start the engine.
- Release the SET button. The green lights in the Driver 1 and Driver 2 buttons should come on and stay on for 4-5 seconds.
- Turn the ignition OFF.
- Open the driver's door. The steering column should move up then move down slightly.

15. Install the steering column upper and lower covers.

16. Verify proper steering column operations for up, down, telescope in and out.

END