

REFERENCE:	Nova Bus Manuals
SECTION:	14: Heating and Ventilation
RS N°:	MQR 7621-816
EFFECTIVE IN PROD.:	N/A

APPLICATION DEADLINE: 2019AL09
CLAIM REFERENCE NUMBER: WB-4145

SUBJECT:	Dust Intrusion in Baselight
JUSTIFICATION:	Dust intrusion in baselights area through the return air grill.

LEVEL	DESCRIPTION	DIRECT CHARGES		TIME
		LABOUR	MATERIAL	
1	Return air grill sealing and filter replacement.	Nova Bus	Nova Bus	5 hrs
2	-	-	-	-

MATERIAL

QTY	PART N°	REV.	DESCRIPTION	REPLACES PART N°
LEVEL 1				
2	N91199	-	FILTER PERMATRON TKA W/LATCH M	-
2	N91200	-	FILTER PERMATRON TKA SMALL M	-
4	N91201	-	FILTER PERMATRON TKA W/L REAR M	-
10 LF	N91862	-	TAPE FOAM ½" x ¾" ADHESIVE	-
40 LF	N91604	-	TAPE CELLULAR 0.375 W 0.375 T	-
55 LF	8861522	-	TAPE CELLULAR 0.375 W 0.188 T	-
26 LF	N8904320-EA*	-	ALUMINIUM FOIL TAPE	-
LEVEL 2				
-	-	-	-	-

Materials will be available within 10 days once your order has been placed. To order, please contact Prevest Parts by phone at 1-800-771-6682, by fax at 1-888-668-2555 or by email at prevostparts.commandes@volvo.com. Specify document number, quantity of parts required and shipping address.

Note: *Aluminum Foil Tape N91605 not included in the level 1 kit. Please order 1 roll of aluminium foil tape per 7 buses.

DISPOSAL OF PARTS

REMOVED PARTS ARE:	DISCARDED *	RETAINED	* Dispose of the unused parts and the defective parts in accordance with local environmental standards in effect.
	Yes	-	

REVISION HISTORY

REV.	DATE	CHANGE DESCRIPTION	WRITTEN BY
NR	2017NO14	Initial release	Kumaraswamy K S
R1	2018MR22	Added L737 and L755 to client list	Kumaraswamy K S

APPROVED BY:

PAGE 1 OF 8

Symbol	Meaning
Empty Field	No changes, the procedure applies
+	Contract added, the procedure applies
-	Contract removed, the procedure does not apply

	CLIENT	ORDER	ROAD NUMBER		VIN (2NVY/4RKY...)		QTY
			FROM	TO	FROM	TO	
	Austin - CMTA - Texas	L635	5001	5001	S92U7C4500163	S92U7C4500163	1
	Austin - CMTA - Texas	L636	5002	5022	S92U1D4500306	S92U0D4500328	21
+	Houston - Texas	L737	1510	1510	S92U4D4500297	S92U4D4500297	1
+	Houston - Texas	L755	1511	1579	S92U4D4500333	S92U8D4500402	69

**WARNING**

Follow your internal safety procedures.

PROCEDURE

- 1.1. Park the vehicle on an even surface with transmission in neutral (N).
- 1.2. Turn the ignition switch to OFF position and engage the parking brake.
- 1.3. Set the Master control switch in the STOP position (see Figure 1).

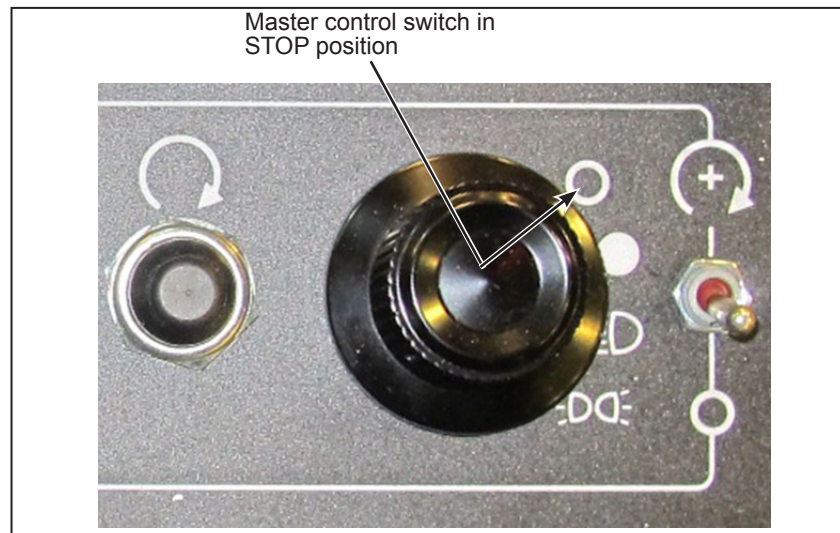


Figure 1 - Master Control Switch in STOP Position

**WARNING**

Before starting any work on the vehicle, make sure the vehicle is completely and securely stationary. Disconnect the starting circuit on the control box at the rear of the vehicle and place the battery disconnect switches in the OFF position.

- 1.4. Locate all the return air grills present inside the vehicle (see Figure 2).

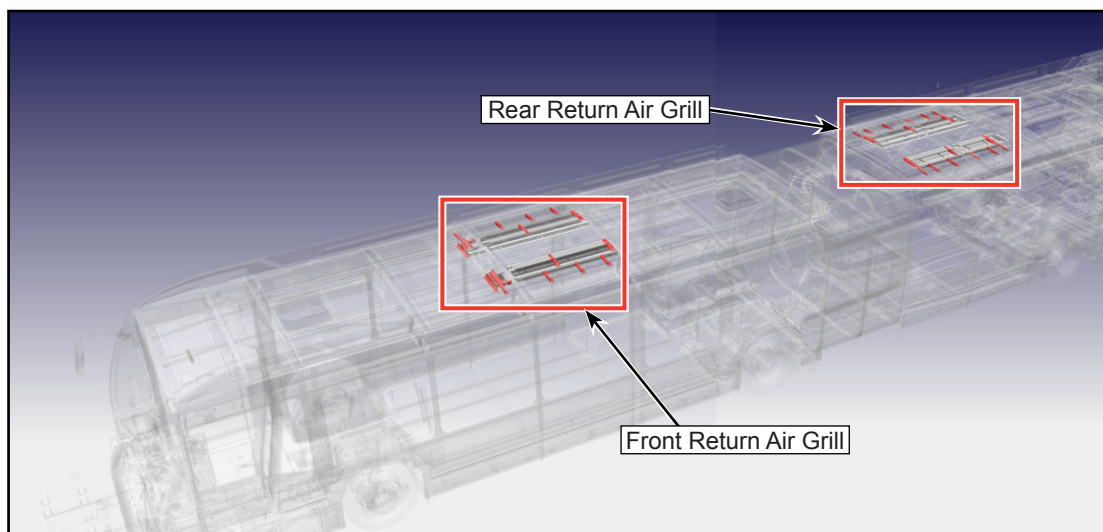


Figure 2 - Typical Location of Return Air Grills



NOTE

Clean the bonding surfaces using isopropyl alcohol or a degreasing product to have a clean adhesion surface. Wipe clean with a cloth and ensure the surface is dry.

When installing foam tape, apply firm even pressure on the bonding surface for few seconds to properly adhere.



NOTE

Use Foam Tape: 8661522 to seal against the melamine ceiling panel.

Use Foam Tape: N91862 to seal near trim capping panel.

- 1.5. If necessary, remove the return air grills at the front section of the vehicle and retain the hardware or just open the return air grills at the front section of the vehicle.
- 1.6. Clean the bonding surfaces and install the indicated foam tape on the exterior perimeter of the grill assemblies as shown (see Figure 3). Ensure that there are no gaps left.

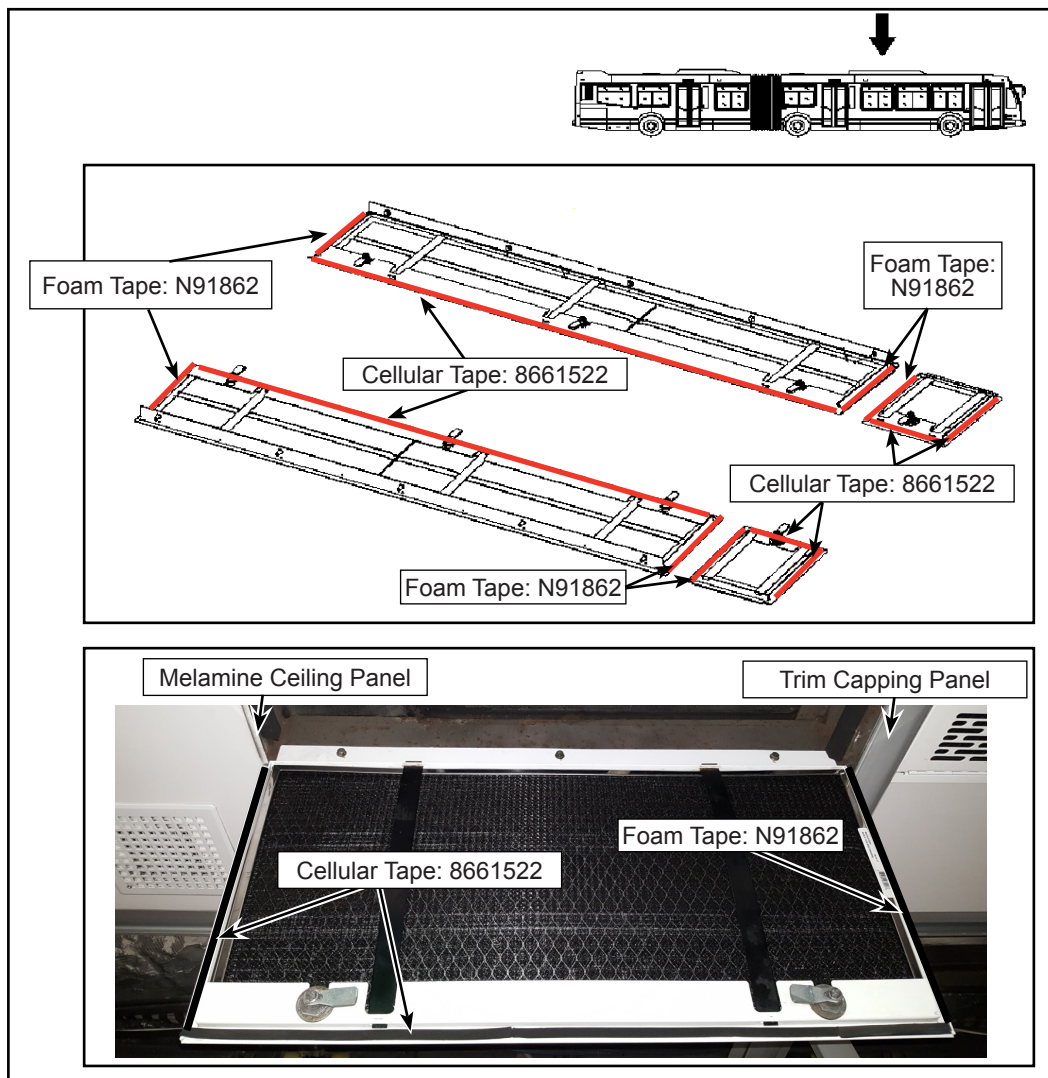


Figure 3 - Installation of Filter and Cellular Tape (Front Section)

- 1.7. In the front section of the vehicle, remove the existing foam tape on the interior perimeter of grill assembly.
- 1.8. Clean the bonding surfaces and install the indicated new foam tape on the interior perimeter of the grill assemblies (see Figure 4 and Figure 5). Ensure that there are no gaps left.

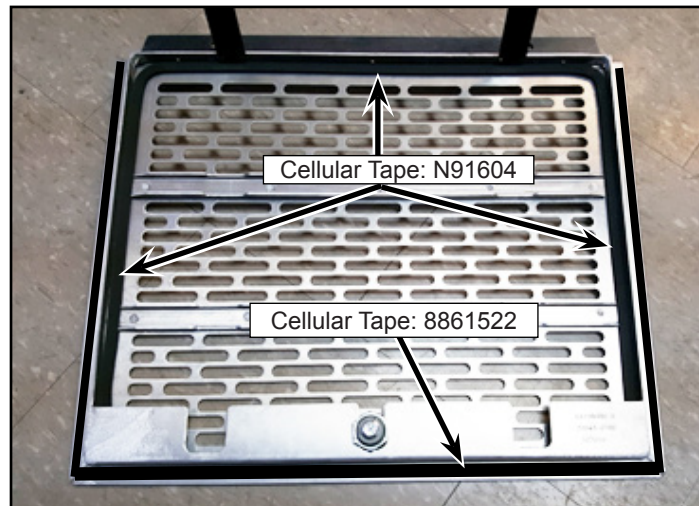


Figure 4 - Installation of Cellular Tape on the Interior Perimeter of Grill (Front Section)

- 1.9. Replace the existing filter with new aluminium bordered filter on the grill assembly at the front section of the vehicle (see Figure 5).

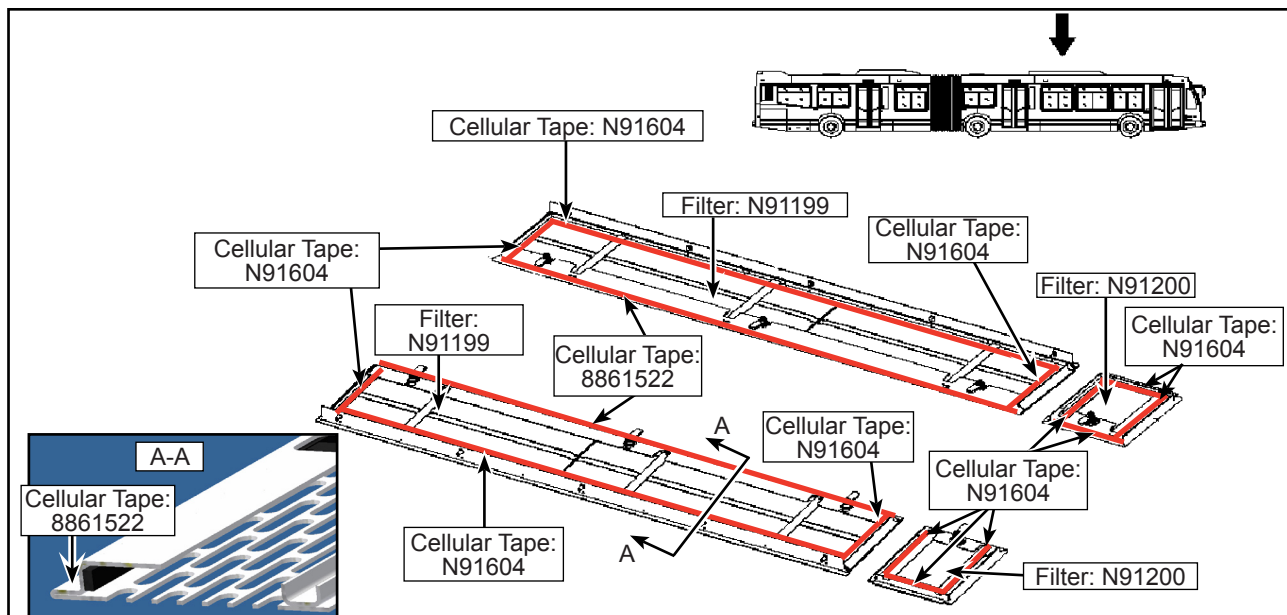


Figure 5 - Installation of Cellular Tape and Filter (Front Section)

- 1.10. Close all the return air grills in the front section of the vehicle.

- 1.11. If necessary, remove the return air grills at the rear section of the vehicle and retain the hardware or just open the return air grills at the rear section of the vehicle.
- 1.12. Clean the bonding surfaces and install the indicated foam tape on the exterior perimeter of the grill assemblies as shown (see Figure 6). Ensure that there are no gaps left.

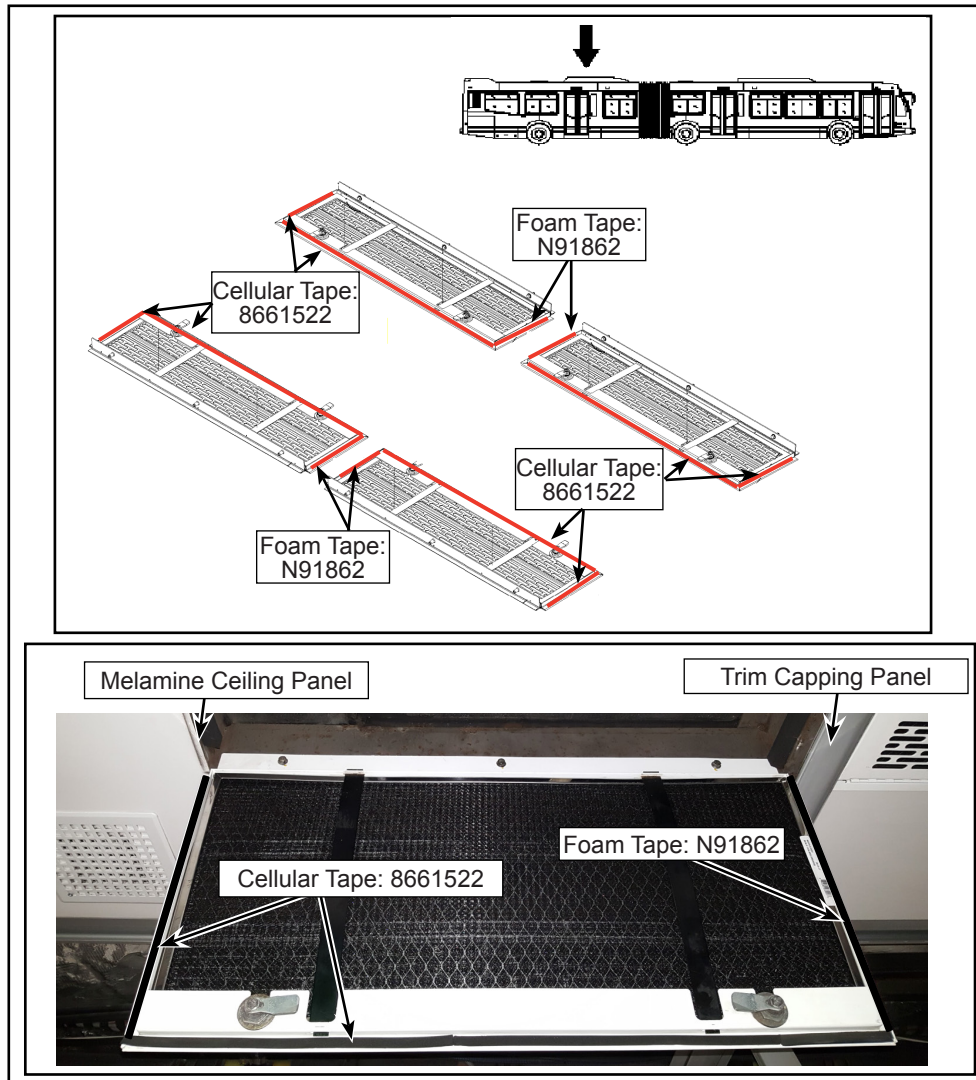


Figure 6 - Installation of Foam Tape and Cellular Tape (Rear Section)

- 1.13. In the rear section of the vehicle, remove the existing foam tape on interior perimeter of grill assembly.
- 1.14. Clean the bonding surfaces and install the indicated new foam tape on the interior perimeter of the grill assemblies as shown (see Figure 7). Ensure that there are no gaps left.
- 1.15. Replace the existing filter with new aluminium bordered filter on the grill assembly in the rear section of the vehicle (see Figure 7).

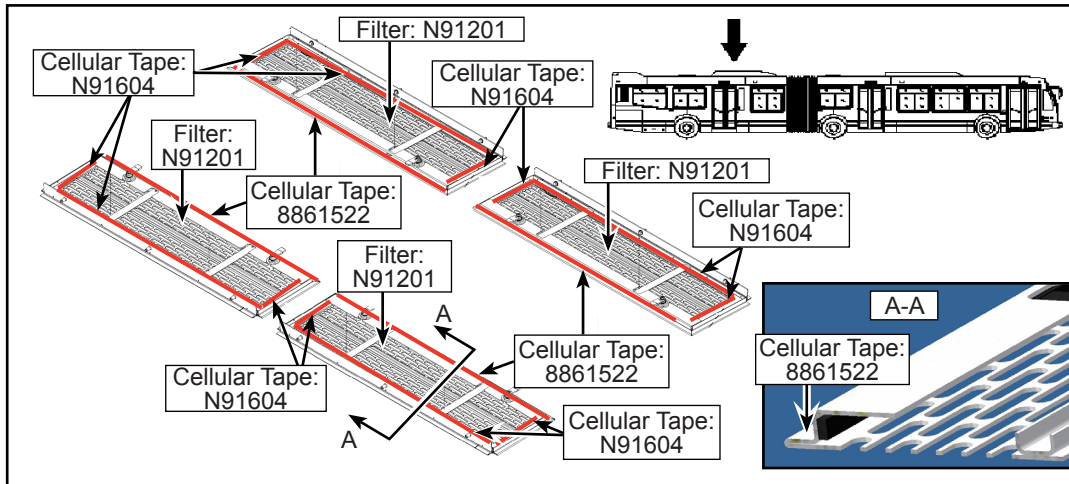


Figure 7 - Installation of Filter and Cellular Tape (Rear Section)

- 1.16. Close all the return air grills at the rear section of the vehicle.
- 1.17. In the front section of the vehicle, remove the third baselight panels adjacent to large air grill on both sides and retain the hardware.
- 1.18. In the rear section of the vehicle, remove the first and second baselight access panel adjacent to the large return air grills on both sides and retain the hardware.
- 1.19. Identify the air gaps between the structure and the baselight track (see Figure 8).

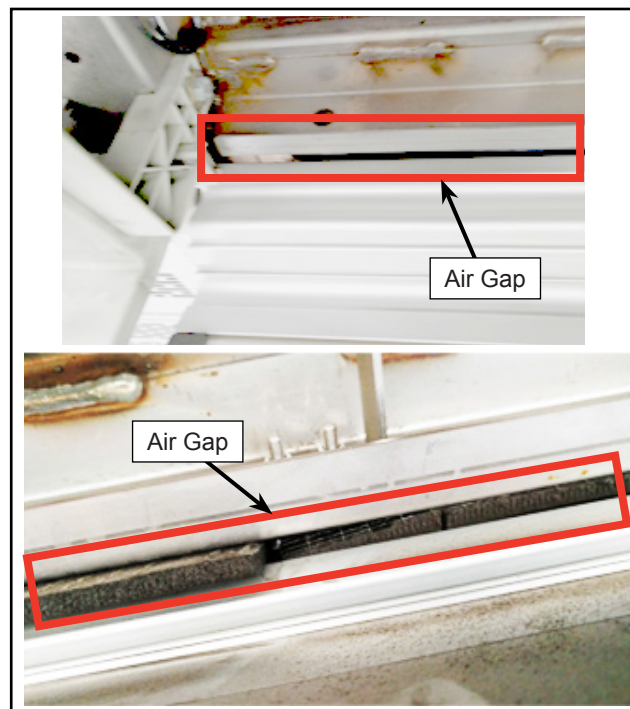


Figure 8 - Location of Air Gaps

- 1.20. In the front and rear section of the vehicle, seal the air gaps using aluminium foil tape (N91605) on both sides (see Figure 9).

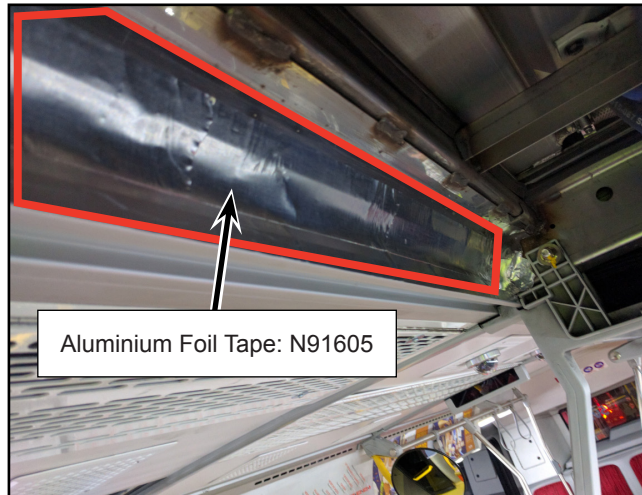


Figure 9 - Installation of Aluminium Foil Tape to Close Air Gaps

- 1.21. Close all the base light panels at front section and rear section of the vehicle with the retained hardware.
- 1.22. Set the battery disconnect switch in the battery compartment to ON position.
- 1.23. Set the master control switch in ON position.
- 1.24. The vehicle may be returned to service.