

Pre-Delivery Service

Service Category General

Section Pre-Delivery Service

Market USA



Applicability

YEAR(S)	MODEL(S)	ADDITIONAL INFORMATION
2019	GS F, GS300, GS350	

Introduction

This bulletin contains the vehicle specific pre-delivery services for 2019 model year GS F, GS 300, and GS 350 vehicles. Additionally, refer to the all applicable Lexus model pre-delivery services for general pre-delivery services to be performed.

Warranty Information

OP CODE	DESCRIPTION	TIME	OFF	T1	T2
N/A	Not Applicable to Warranty	-	-	-	-

Procedures

- Front License Plate and Mounting Bracket Installation 2
- Front Wheel Opening Extension Pad Installation 6
- D/C Cut Fuse Installation 7

Pre-Delivery Service

Front License Plate and Mounting Bracket Installation

The front license plate mounting bracket and self-tapping screws for the 2019 model year GS F, GS 300, and GS 350 are stored in the luggage compartment of the vehicle. During PDS, install the license plate and the mounting bracket.

NOTE

This bulletin has three different instructions based on the vehicle type and equipment. Please see specific instructions below for GS F, GS 300, and GS 350 vehicles (F Sport and Non-F Sport).

Installation Procedure for GS F

1. Locate the front license plate mounting bracket over the radiator grille.
2. Align holes "A" of the mounting bracket with the dimples on the front bumper cover.

NOTICE

Do NOT drill into the dimples on the front bumper cover.

NOTE

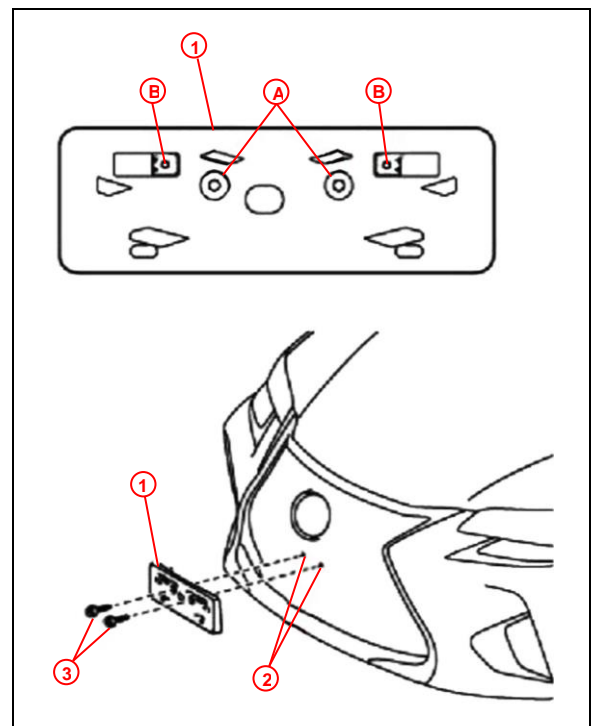
- Holes "A" are used to install the mounting bracket onto the bumper cover.
- Holes "B" are used to install the front license plate onto the mounting bracket.

3. Install the mounting bracket onto the front bumper cover using two self-tapping screws.

NOTICE

Do NOT over-tighten the self-tapping screws.

Figure 1.



1	Mounting Bracket
2	Dimple
3	Self-tapping Screw

Pre-Delivery Service

Front License Plate and Mounting Bracket Installation (continued)

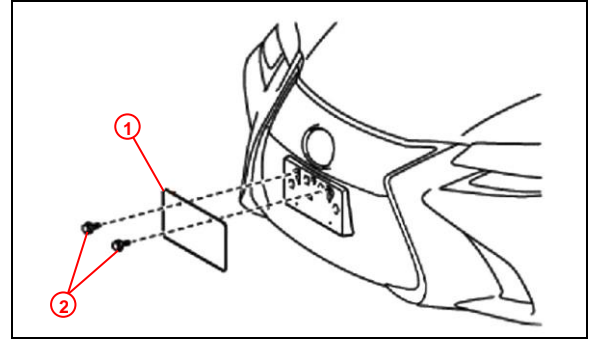
Installation Procedure for GS F (continued)

4. Install the front license plate onto the mounting bracket using two bolts of non-corroding type with the following dimensions.

Nominal Length: 15.0 mm (0.59 in.)

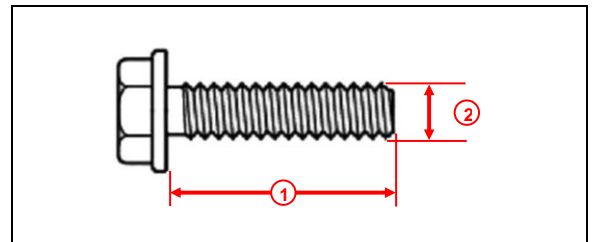
Diameter: 6.0 mm (0.24 in.)

Figure 2.



1	Front License Plate
2	Bolt

Figure 3.



1	Nominal Length
2	Diameter

Pre-Delivery Service

Front License Plate and Mounting Bracket Installation (continued)

Installation Procedure for GS 300 and GS 350 (F Sport Package)

1. Locate the front license plate mounting bracket over the radiator grille.
2. Align holes "A" of the mounting bracket with the dimples on the front bumper cover.

NOTICE

Do NOT drill into the dimples on the front bumper cover.

NOTE

- Holes "A" are used to install the mounting bracket to the bumper cover.
- Holes "B" are used to install the front license plate to the mounting bracket.

3. Install the mounting bracket onto the front bumper cover using two self-tapping screws.

NOTICE

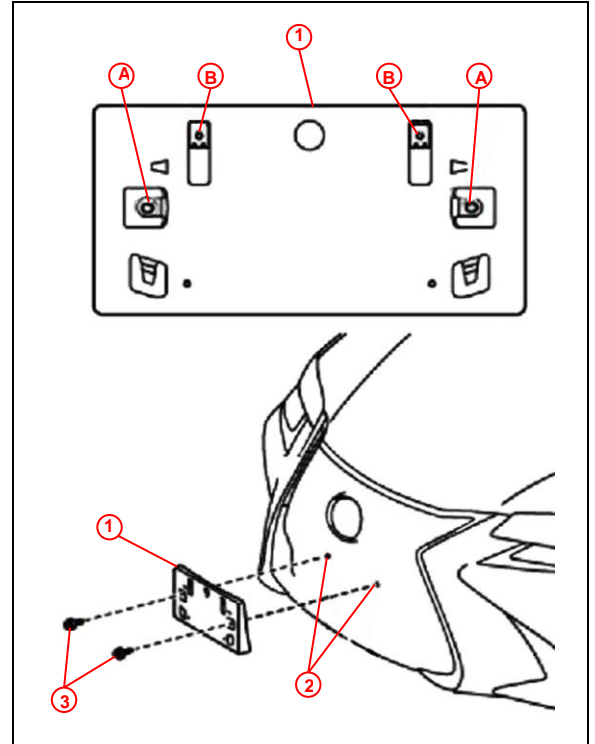
Do NOT over-tighten the self-tapping screws.

4. Install the front license plate onto the mounting bracket using two bolts of non-corroding type with the following dimensions (as shown in Figure 3).

Nominal Length: 15.0 mm (0.59 in.)

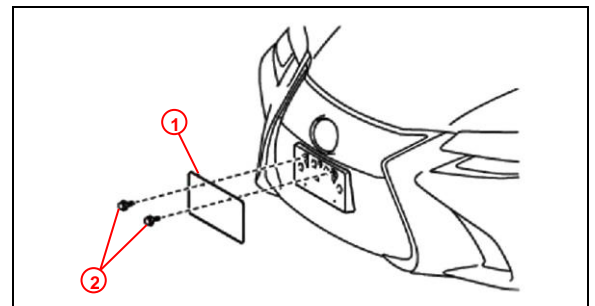
Diameter: 6.0 mm (0.24 in.)

Figure 4.



1	Mounting Bracket
2	Dimple
3	Self-tapping Screw

Figure 5.



1	Front License Plate
2	Bolt

Pre-Delivery Service

Front License Plate and Mounting Bracket Installation (continued)

Installation Procedure for GS 300 and GS 350 (Non-F Sport Package)

1. Locate the front license plate mounting bracket over the radiator grille.
2. Align holes "A" of the mounting bracket with the dimples on the front bumper cover.

NOTICE

Do NOT drill into the dimples on the front bumper cover.

NOTE

- Holes "A" are used to install the mounting bracket to the bumper cover.
- Holes "B" are used to install the front license plate to the mounting bracket.

3. Install the mounting bracket onto the front bumper cover using four self-tapping screws.

NOTICE

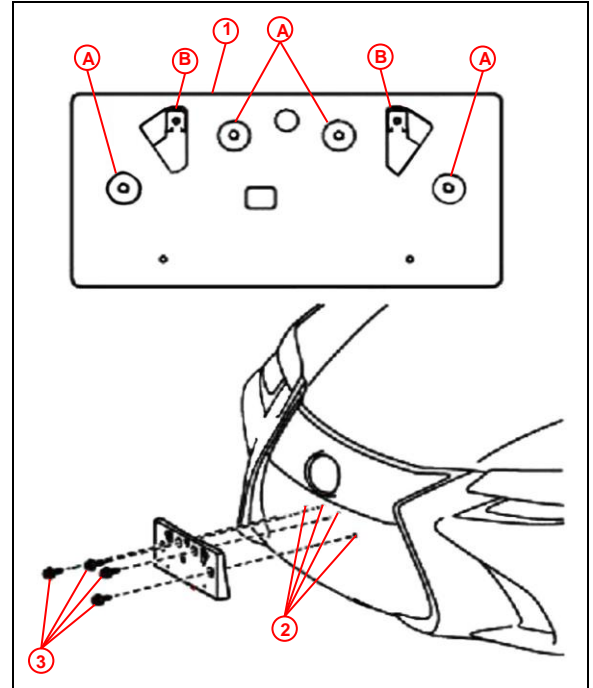
Do NOT over-tighten the self-tapping screws.

4. Install the front license plate onto the mounting bracket using two bolts of non-corroding type with the following dimensions (as shown in Figure 3).

Nominal Length: 15.0 mm (0.59 in.)

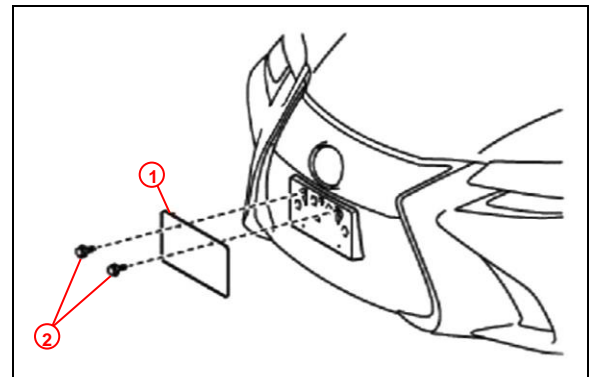
Diameter: 6.0 mm (0.24 in.)

Figure 6.



1	Mounting Bracket
2	Dimple
3	Self-tapping Screw

Figure 7.



1	Front License Plate
2	Bolt

Pre-Delivery Service

Front Wheel Opening Extension Pad Installation

The front wheel opening extension pad set (right and left front wheel opening extension pads and self-tapping screws) is placed in the luggage compartment at the assembly plant to avoid damage in transit.

Install the front wheel opening extension pads to the vehicle before delivery to the customer.

Installation Procedure for GS 300 and GS 350

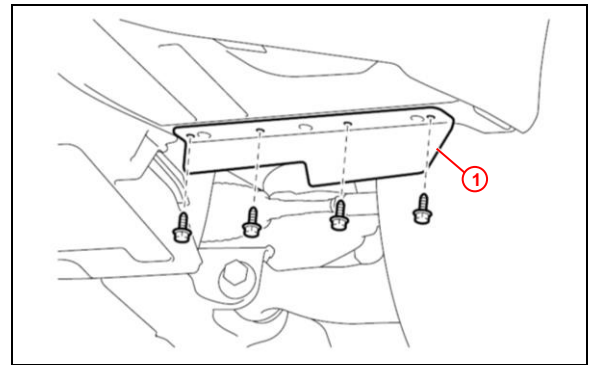
1. Install the left front wheel opening extension pad in position with four self-tapping screws.

HINT

There is a distinguishable mark on each pad indicating the left and right side pad.

2. Install the right front wheel opening extension pad in the same manner as the left.

Figure 8.



1 Front Wheel Opening Extension Pad

Installation Procedure for GS F

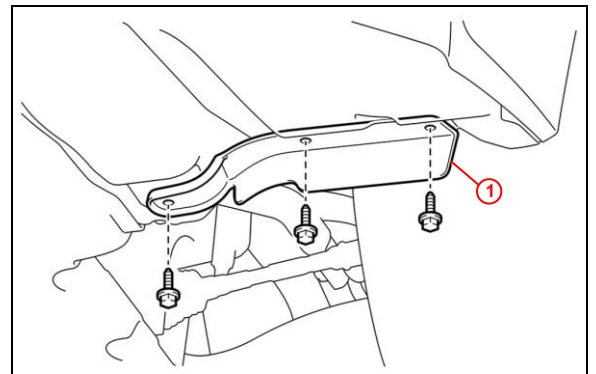
1. Install the left front wheel opening extension pad in position with three self-tapping screws.

HINT

There is a distinguishable mark on each pad indicating the left and right side pad.

2. Install the right front wheel opening extension pad in the same manner as the left.

Figure 9.



1 Front Wheel Opening Extension Pad

Pre-Delivery Service

D/C Cut Fuse Installation

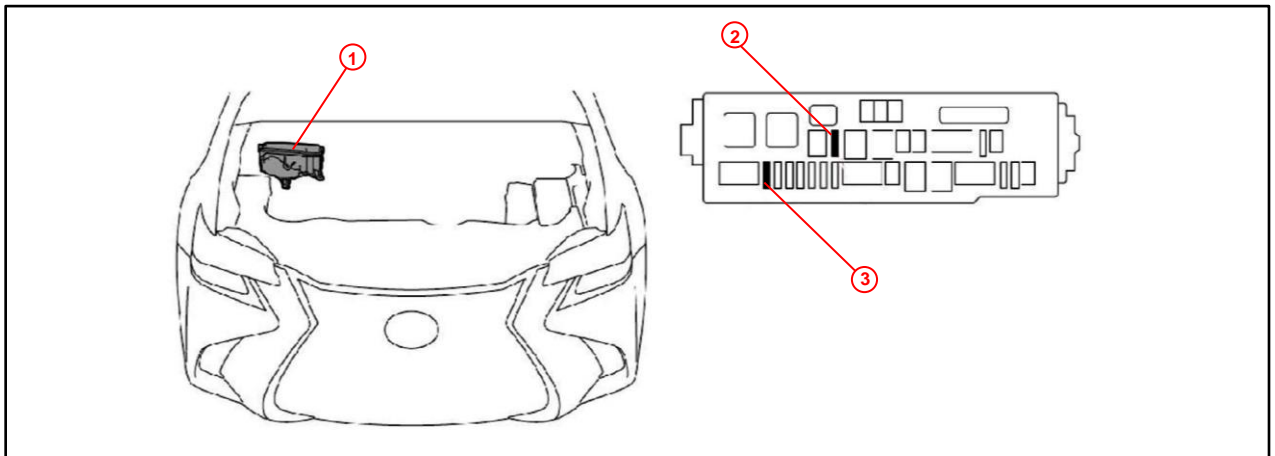
To minimize battery discharge during transportation and storage, the D/C cut fuse (30A) has been removed at the assembly plant and temporarily stored in the engine compartment Relay Block.

During PDS, reinstall the D/C cut fuse (30A) into its original location and clear ALL related Diagnostic Trouble Codes (DTCs).

Installation Procedure

Remove the D/C cut fuse (30A) from the blank space of the Relay Block in the engine compartment and install it in the original location.

Figure 10.



1	Relay Block
2	Remove This D/C Cut Fuse (30A)

3	Install D/C Cut Fuse (30A) Here (Original Location)
----------	--

NOTE

While the vehicle is stored at the dealership, disconnect the negative (-) battery terminal to prevent battery discharge. Refer to Service Bulletin No. [L-SB-0108-17](#), "Battery Maintenance During PDS," for battery maintenance information.