

Subject <b>Rear Differential Torque Confirmation</b>		Market <b>USA</b>
Service Category <b>Drivetrain</b>	Section <b>Axle/Differential</b>	
Applicability <b>2016-2017 MY Tacoma</b>		

**APPLICABLE VEHICLES**

2016-2017	Tacoma
-----------	--------

**CONDITION**

The Tacoma BD20 Rear Differential has two active part numbers for the fasteners that attach the differential carrier to the axle housing.

Vehicles Equipped with BD20 Differential:

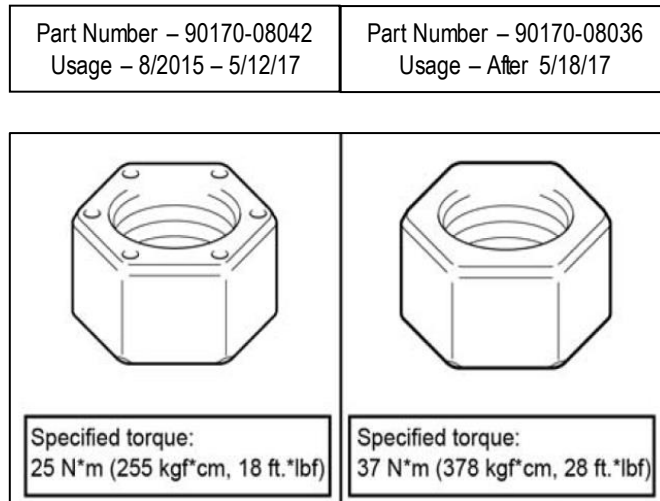
- Tacoma 4x4 – 4 cylinder – Automatic Transmission
- Tacoma 4x4 – 6 cylinder – Automatic Transmission
- Tacoma PreRunner

There are 10 fasteners on the BD20 differential (12mm fastener / 8 mm stud).

The fastener part numbers are 90170-08042 & 90170-08036. There are two different torque values for these fasteners:

- 90170-08042 – 18 ft. lbs. {25 N·m, 255 kgf·cm}
- 90170-08036 – 28 ft. lbs. {37 N·m, 378 kgf·cm}

Vehicles produced between 8/2015 through 5/12/2017 should be equipped with 90170-08042. Vehicles produced 5/18/2017 and after should be equipped with 90170-08036.



**Fig 1. Part Comparison**  
Confirm presence of “dimples” on the fastener to distinguish fastener type

Subject

**Rear Differential Torque Confirmation**

Market

USA

Applicability

**RECOMMENDATIONS**

Please utilize TIS to confirm service history of the vehicle. View the vehicle "Campaign" history to confirm if SSC H0G has been completed:

If SSC has been performed:

- 1) Previously Retightened – Confirm torque utilizing torque values for 90170-08042
- 2) Previously Replaced Parts – Confirm torque utilizing torque values for 90170-08036

If SSC has not been performed:

Follow SSC H0G procedure

These instructions are to confirm the proper torque is being applied to vehicle. If repairs are necessary, please utilize the new part number [90170-08036] and corresponding torque values [28 ft. lbs. {37 N·m, 378 kgf·cm}]

**LINK REFERENCES**

- 3) [DIFFERENTIAL: BD20D DIFFERENTIAL CARRIER ASSEMBLY\(w/o Differential Lock\): INSTALLATION; 2016 - 2018 MY Tacoma \[08/2015 - ???????\]](#)
- 4) [H0G Repair Procedure](#)