

H087NAS1

TECHNICAL BULLETIN

12 MAR 2018



© Jaguar Land Rover North America, LLC

NOTE: The information in Technical Bulletins is intended for use by trained, professional Technicians with the knowledge, tools, and equipment required to do the job properly and safely. It informs these Technicians of conditions that may occur on some vehicles, or provides information that could assist in proper vehicle service. The procedures should not be performed by 'do-it-yourselfers'. If you are not a Retailer, do not assume that a condition described affects your vehicle. Contact an authorized Jaguar service facility to determine whether this bulletin applies to a specific vehicle.

INFORMATION**SECTION:**

501-02: Front End Body Panels

SUBJECT/CONCERN:

Service Action: Hood Seal Freezing

AFFECTED VEHICLE RANGE:

MODEL:	MODEL YEAR:	VIN:	ASSEMBLY PLANT:
E-PACE (X540)	2018	Z00381-Z09081	Graz (Austria)

MARKETS:

NORTH AMERICA

CONDITION SUMMARY:**SITUATION:**

An issue has been identified on certain vehicles within the listed Affected Vehicle Range where the hood seal absorbs water and freezes to the lock panel. When the hood is opened, the seal can get damaged, unclipped, or lost.

ACTION:

Retailers are required to **HOLD** affected new vehicles that are within your control and refrain from releasing the vehicles for **new vehicle sale** pending completion of the Workshop Procedure detailed in this Technical Bulletin. Unsold vehicles should have this performed as part of the Pre-Delivery Inspection (PDI) process but **must** have it completed prior to vehicle handover to the customer.

Affected vehicles already in the hands of customers should be updated at the next available opportunity.

PARTS:**NOTE:**

Order only the expected percentage demand of parts identified.

DESCRIPTION	PART NO./SUNDRY CODE	QTY./VALUE	EXPECTED PERCENTAGE DEMAND
Seal	J9C15013	1	100

SPECIAL TOOLS:

Refer to TOPIx Workshop Manual/Workshop Procedure for any required special tools.

WARRANTY:**NOTE:**

Use the Jaguar Land Rover claims submission system to make sure that a vehicle is affected by this program prior to undertaking any rework action.

At the time of confirming a booking for vehicle repair, make sure that **all** outstanding Recall and Service Actions are identified to ensure the correct parts are available and adequate workshop time is allocated for repairs to be completed at one visit.

Warranty claims must be submitted quoting the Program Code and the relevant Option Code; this will result in payment of the stated time. The SRO and parts information is included for information only. The Option Code(s) that allows for the drive in/drive out allowance may only be claimed if the vehicle is brought back into the workshop for this action alone to be undertaken.

Repair procedures are under constant review and therefore times / prices are subject to change; those quoted here must be taken as guidance only. Use the Jaguar Land Rover claims submission system to obtain the latest repair time.

This program is valid for a limited time only. Warranty claims with a repair date prior to the **31 March 2020** closure date must be submitted or payment within 30 calendar days of completion of the repair.

PROGRAM CODE	OPTION CODE	DESCRIPTION	SRO	TIME (HOURS)	PARTS/SUNDRY CODE	QTY./VALUE
H087	A	Hood seal - Renew	76.16.41	0.10	J9C15013	1
H087	B	Hood seal - Renew Drive in/drive out	76.16.41 10.10.10	0.10 0.20	J9C15013 -	1 -

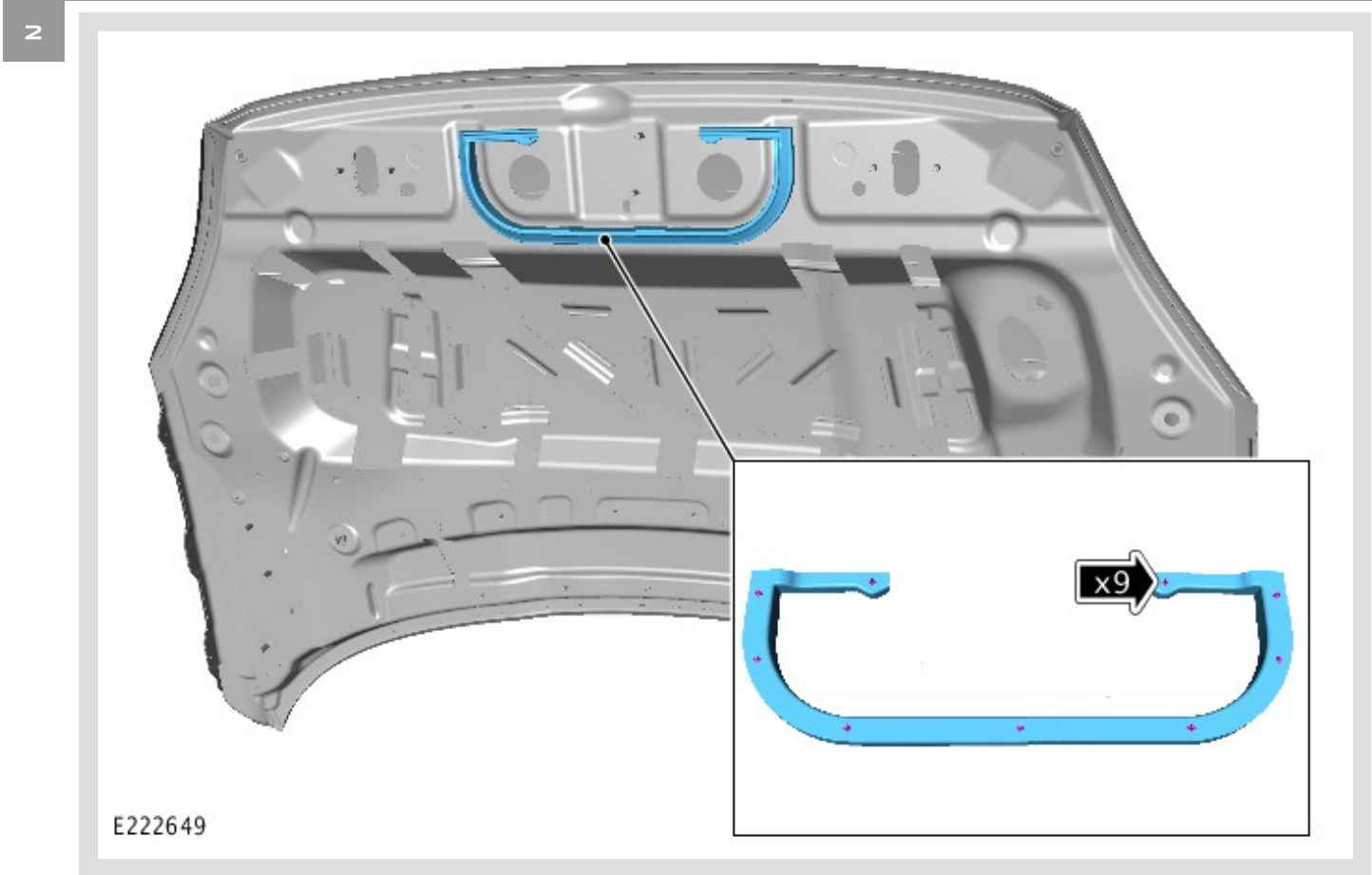
Normal Warranty policies and procedures apply.

WORKSHOP PROCEDURE:

NOTE:

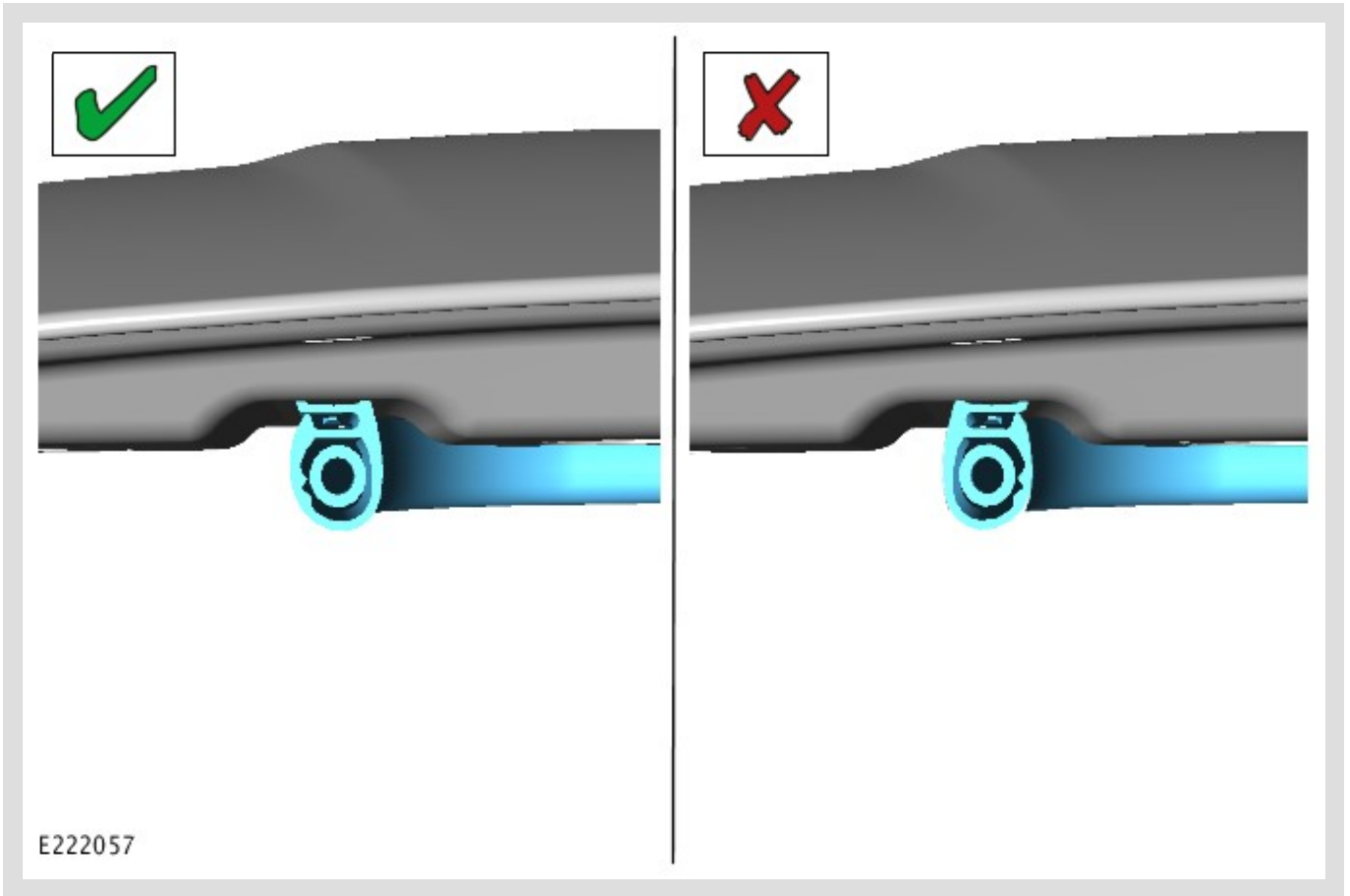
Some variation in the illustrations may occur, but the essential information is always correct. Some components shown removed for clarity.

1 Open the hood.



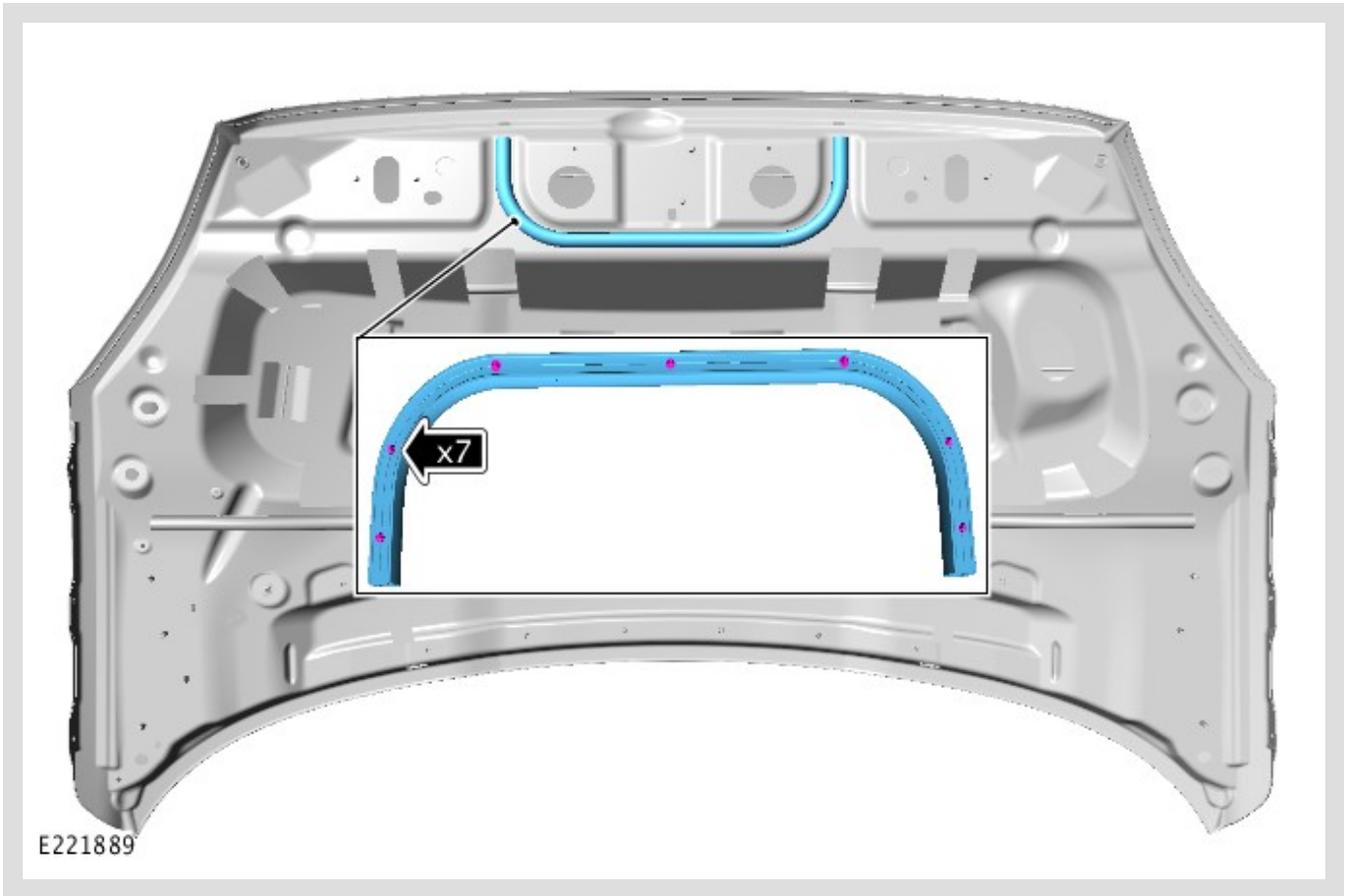
Remove and discard the hood seal.

3



Note the correct (✓) orientation of the new seal.

4



Install the new hood seal.

5

Close the hood.