



Ferrari North America

Technical Information

Date: May 2018
Bulletin #: 2501
Campaign #:
Supersedes:
Section: 9

Model Type: Portofino
Model Year: All
Subject: Installation of front and rear license plate holders

The instructions for fitting the front and rear license plate holders for the Portofino are as follows.

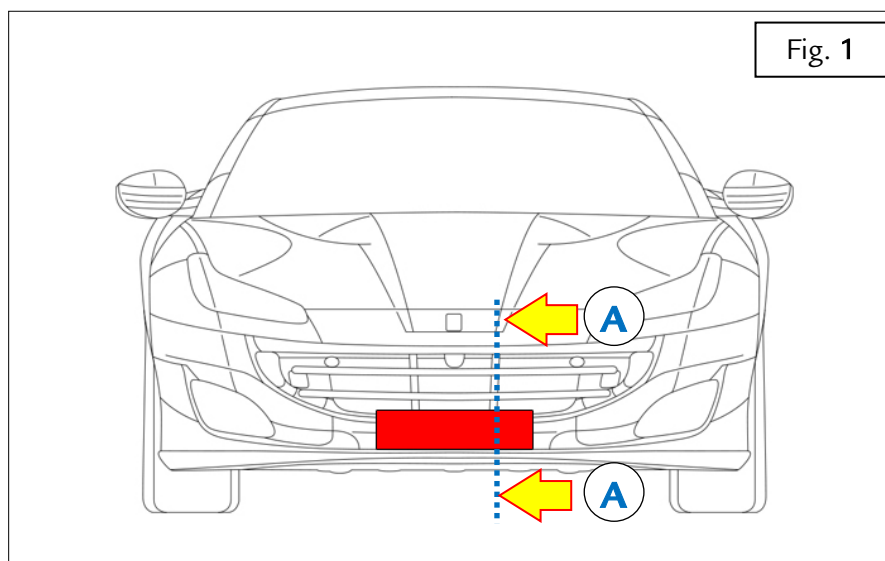
The vehicle is shipped from the factory with a specific kit for the destination market for installing the front and rear license plate holders.

The market-specific kit consists of:

- Complete front license plate holder for USA, CDN, USA Light,
- Rear license plate holder;
- Bag containing fastener hardware for installing license plate holders.

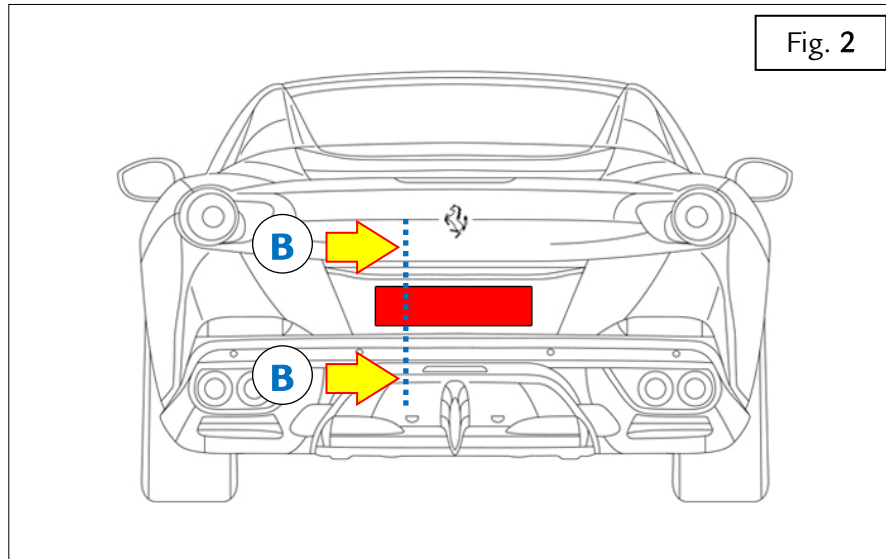
The front (Fig. 1) and rear (Fig. 2) must always meet the following requirements:

- the license plate holder must be perfectly centered with the centerline of the front bumper;
- the bottom of the license plate holder must be perfectly parallel with the ground.





Ferrari North America

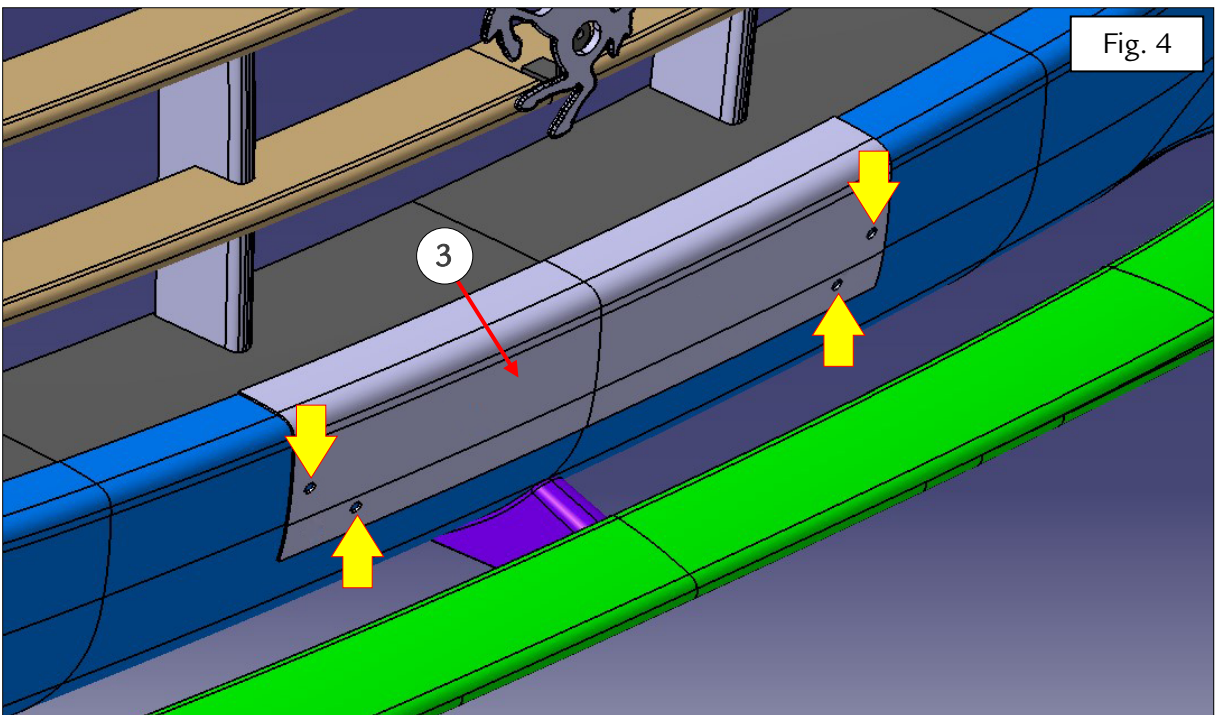
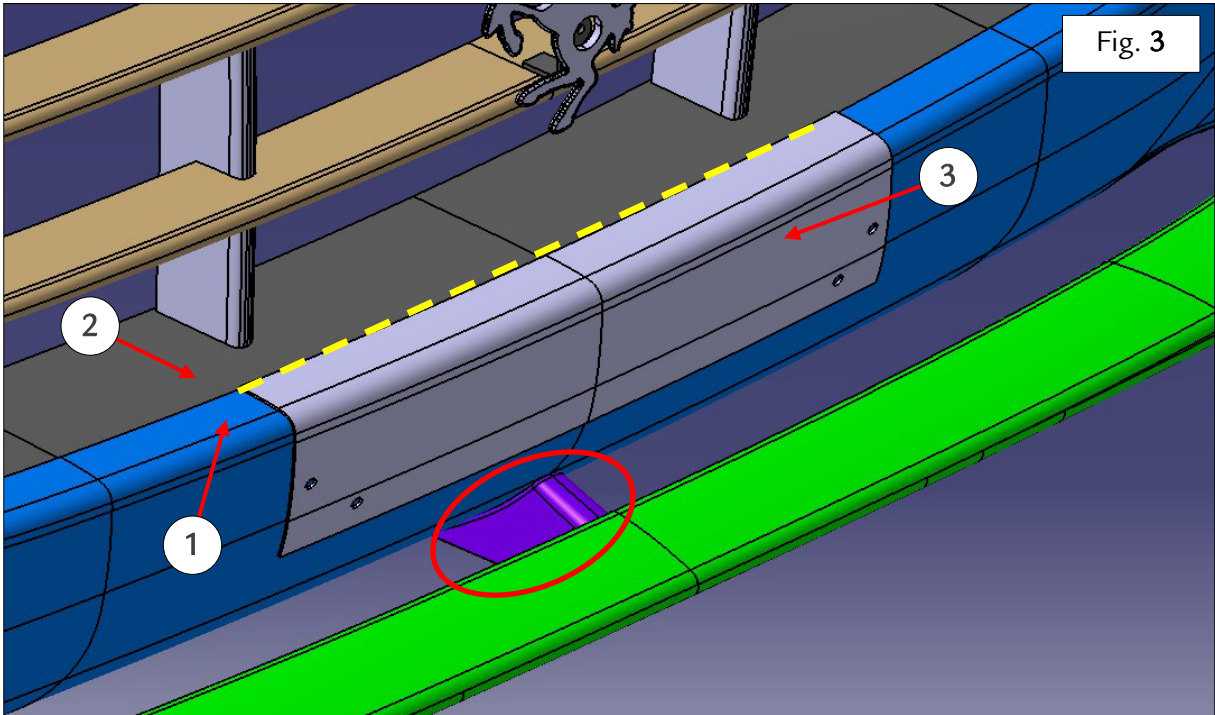


Procedure

FRONT LICENSE PLATE HOLDER - Applicable for USA, Canada, USA Light

Print the attached template for drilling the holes in the front bumper

- Print the attachment included with this document ensuring that the option 'Scale to paper size' is set to “No Scaling” (DO NOT RESIZE THE PAGE).
- Cut out the license plate holder template.
- Identify the border between the painted part of the front bumper (1) and the area in matte black (2), indicated by the dotted yellow line in Fig. 3. This border must be the base for the two upper edges of the template.
- Put the template (3) into position and align it horizontally with the central fastening of the spoiler - Fig. 3.
- Fix the template (3) to the front bumper ensuring that it is aligned in the correct position as described above.





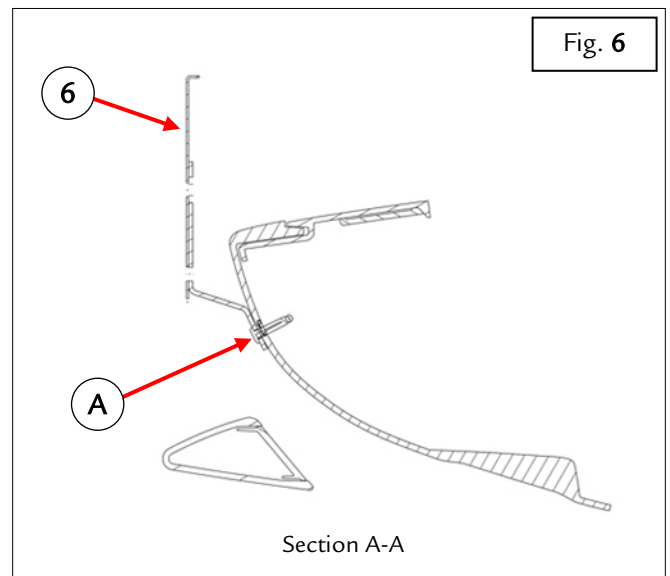
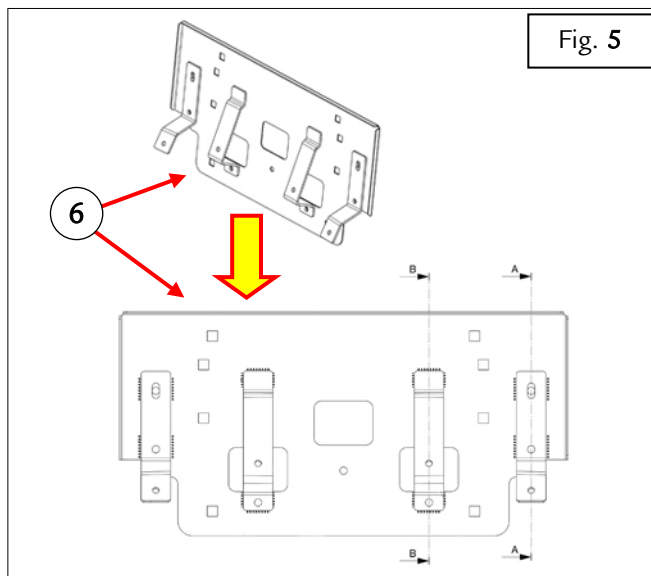
Ferrari North America

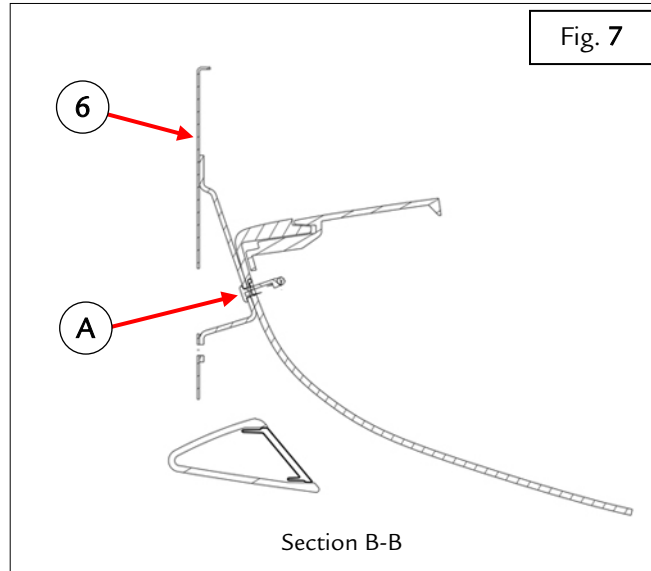
- Using a drill with a suitable bit, drill 4 holes in the positions indicated on the template (3) and indicated by the yellow arrows in Fig. 5.
Note: Fig. 3 and 4 is an example of a European template.

Fastening the front license plate holder

USA, CDN, USA Light

- Take the complete front license plate holder (6) and place the holes (A) over the holes drilled previously – Fig. 5.
- Now fasten the front license plate holder (6) to the bumper using 4 rivets (A) in the supplied kit – Fig. 6-7.



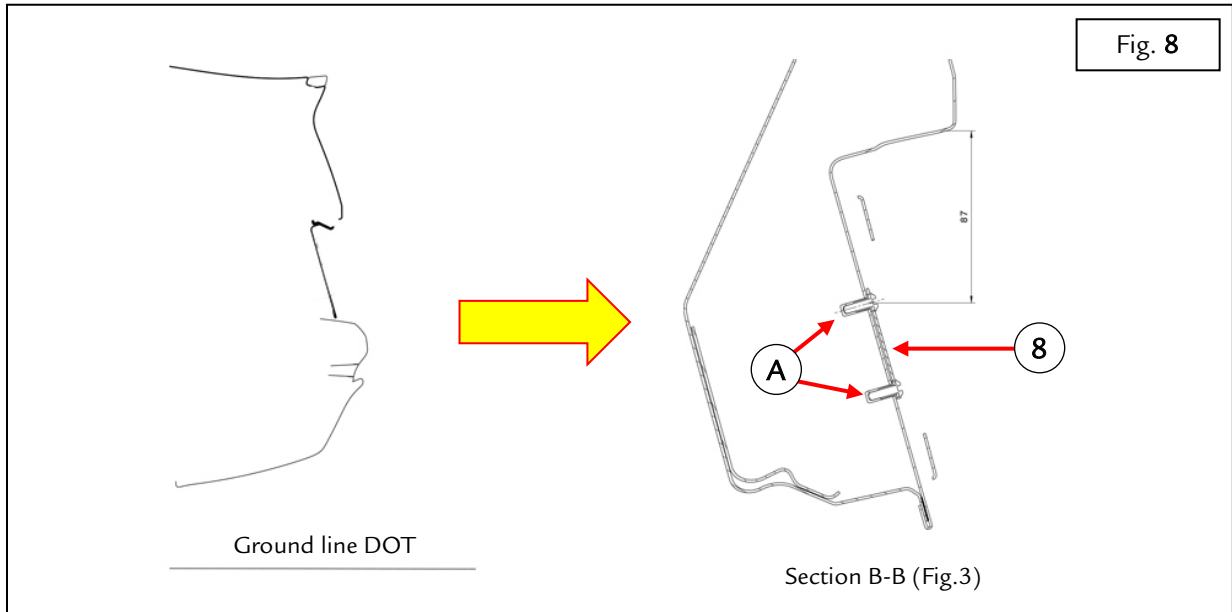


REAR LICENSE PLATE HOLDER

- When fitting the rear license plate holder:
 - the license plate holder must be centered perfectly with the centerline of the rear bumper;
 - the bottom of the license plate holder must be perfectly parallel with the ground;
- With the license plate holder positioned correctly as described, mark the positions of the 4 mounting holes on the license plate holder on the rear bumper.
- Using a drill with a suitable bit, drill four holes in the positions marked.
- Place the rear license plate holder (8) over the drilled holes and fasten it with 4 rivets (in the supplied kit) – Fig. 8.



Ferrari North America



DIMA USA-PROFILO RINFORZO

