

May 18, 2018

Version 1

Roof Molding Front End Caps are Loose

AFFECTED VEHICLES

| Year | Model | Trim | VIN Range |
|------|-----------|------|---------------------------------------|
| 2016 | Pilot | ALL | ALL |
| 2017 | | | ALL |
| 2018 | | 2WD | 5FNYF5...JB000001 - 5FNYF5...JB018118 |
| | | AWD | 5FNYF6...JB000001 - 5FNYF6...JB036028 |
| 2017 | Ridgeline | ALL | ALL |
| 2018 | | | ALL |
| 2019 | | 2WD | 5FPYK2...KB000001 - 5FPYK2...KB000394 |
| | | AWD | 5FPYK3...KB000001 - 5FPYK3...KB001652 |

SYMPTOM

The roof molding front end caps become loose and lift away from roof panel.

POSSIBLE CAUSES

The roof molding front end caps are not held on securely.

CORRECTIVE ACTION

Remove the existing roof moldings, and install the replacement roof molding kit with revised front-end caps.

CUSTOMER INFORMATION: The information in this bulletin is intended for use only by skilled technicians who have the proper tools, equipment, and training to correctly and safely maintain your vehicle. These procedures should not be attempted by "do-it-yourselfers," and you should not assume this bulletin applies to your vehicle, or that your vehicle has the condition described. To determine whether this information applies, contact an authorized Honda automobile dealer.

PARTS INFORMATION

NOTE

Each kit contains parts to replace the left and right roof molding.

| Part Name | Part Number | Quantity |
|--|---------------|----------|
| Pilot with Roof Rack - Roof Rail Molding Kit | 74306-TG7-307 | 1 |
| Pilot without Roof Rack - Roof Rail Molding Kit | 74306-TG7-306 | 1 |
| Ridgeline - Roof Rail Molding Kit | 74306-T6Z-306 | 1 |

REQUIRED MATERIALS

| Part Name | Part Number | Quantity |
|--------------|------------------------|----------|
| Masking Tape | Commercially Available | 1 |

WARRANTY CLAIM INFORMATION

The normal warranty applies.

| Operation Number | Description | Flat Rate Time | Defect Code | Symptom Code | Template ID | Failed Part Number |
|------------------|--|----------------|-------------|--------------|-------------|--------------------|
| 8141N0 | Repair Procedure A - Pilot with Roof Rails - Install replacement roof molding kit. | 0.5 hr | 06201 | 03217 | A18040A | 74316-TG7-A01 |
| 8141N0 | Repair Procedure B - Pilot without Roof Rails - Install replacement roof molding kit. | 0.5 hr | 06201 | 03217 | A18040B | 74316-TG7-A01 |
| 8141N0 | Repair Procedure C - Ridgeline - Install replacement roof molding kit. | 0.5 hr | 06201 | 03217 | A18040C | 74316-T6Z-A00 |

Skill Level: Repair Technician

REPAIR PROCEDURE

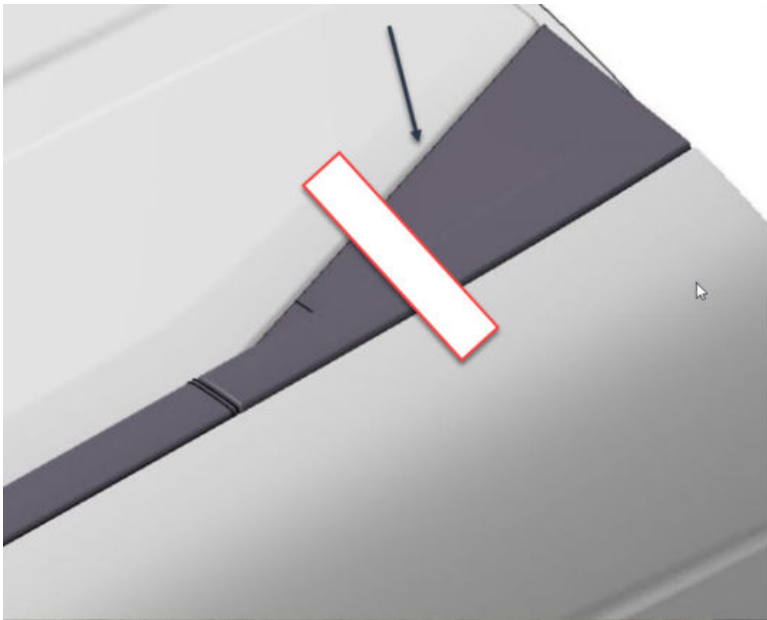
- **Pilot without Roof Rails** - Refer to Repair Procedure A
- **Pilot with Roof Rails** - Refer to Repair Procedure B
- **Ridgeline** - Refer to Repair Procedure C

Repair Procedure A - Pilot without Roof Rails

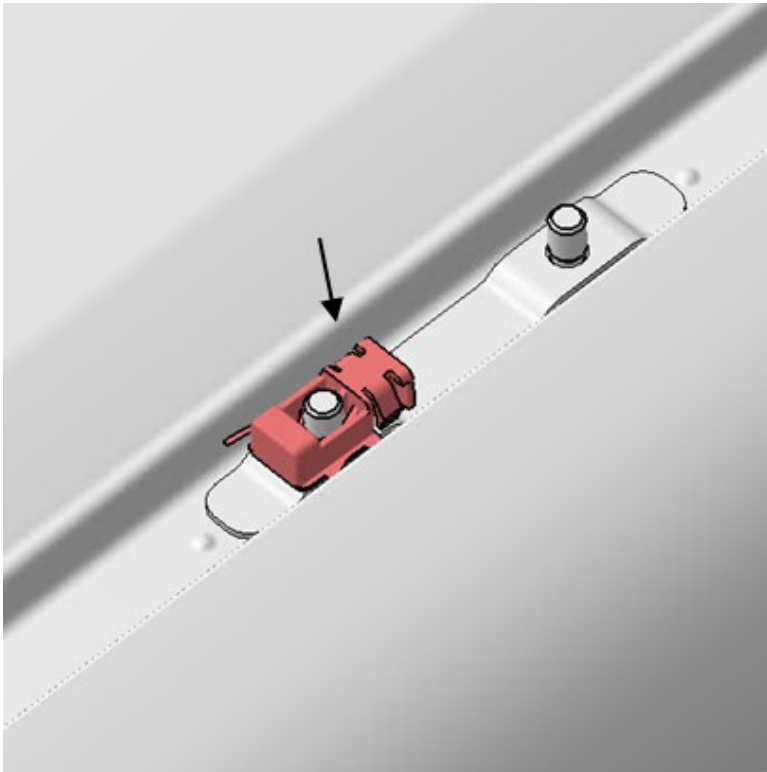
1. Secure the tailgate hinge cover with masking tape to avoid moving or damaging the cover.

NOTE

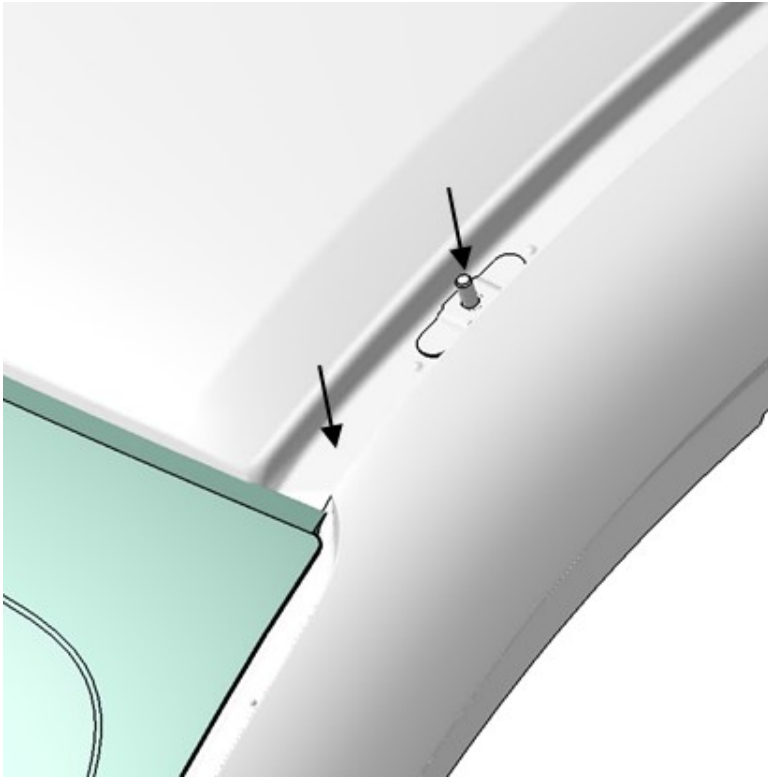
Do not remove the hinge cover.



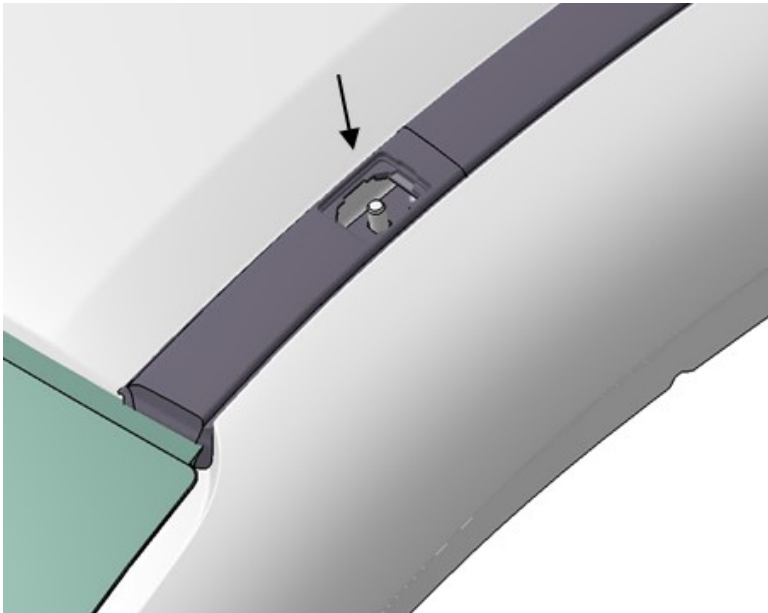
2. Remove the existing roof molding and replace all clips with the parts supplied in the roof rail molding kit.



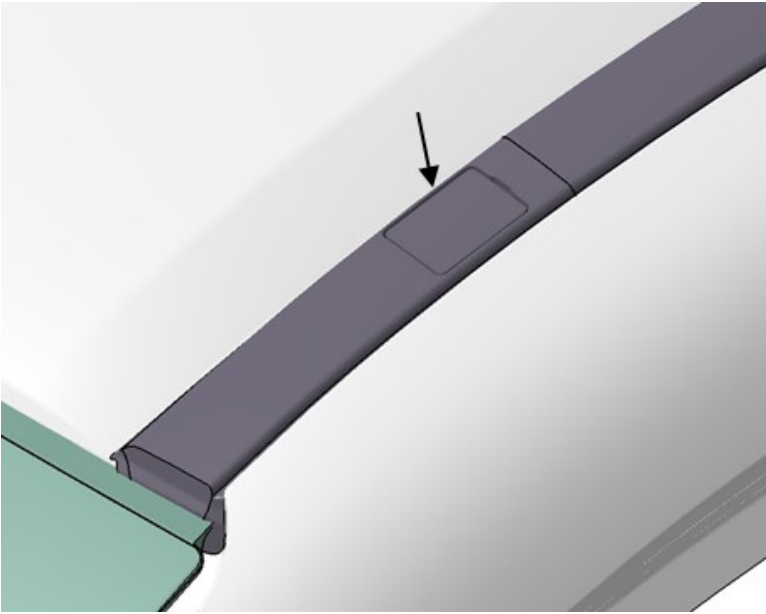
3. Remove any adhesive from the stud threads and the body.



4. Install the new roof molding, and secure it with the supplied nut. Torque it to **6.8 -11.7 N•m (5.0 - 8.6 lb-ft)**.



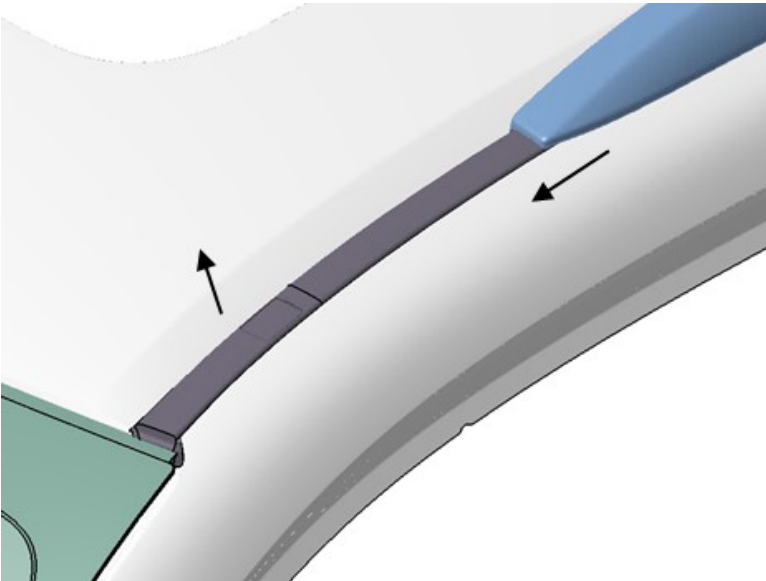
5. Install the nut access cover.



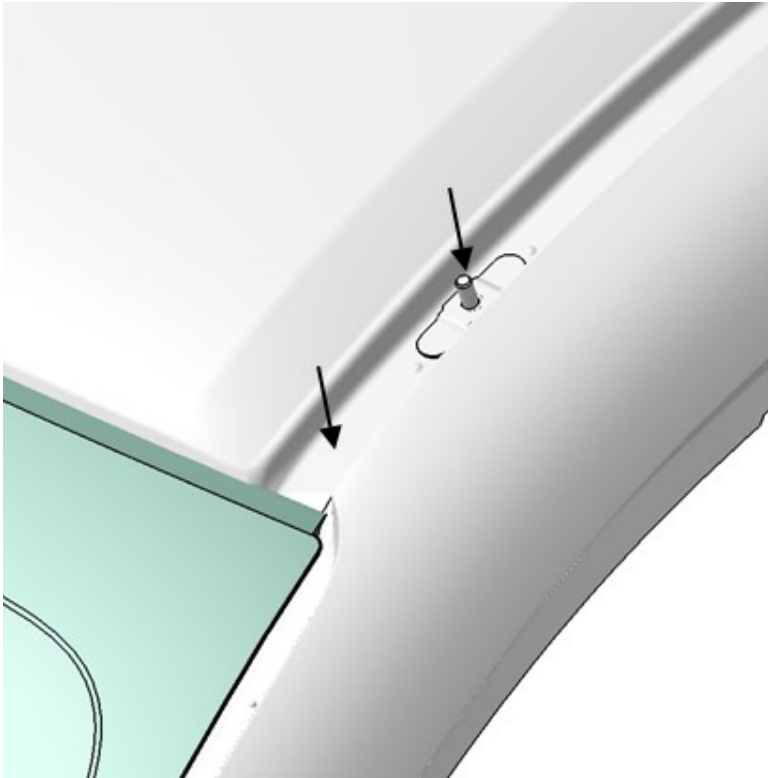
6. Replace the roof molding on other side following the same procedure.

Repair Procedure B - Pilot with Roof Rails

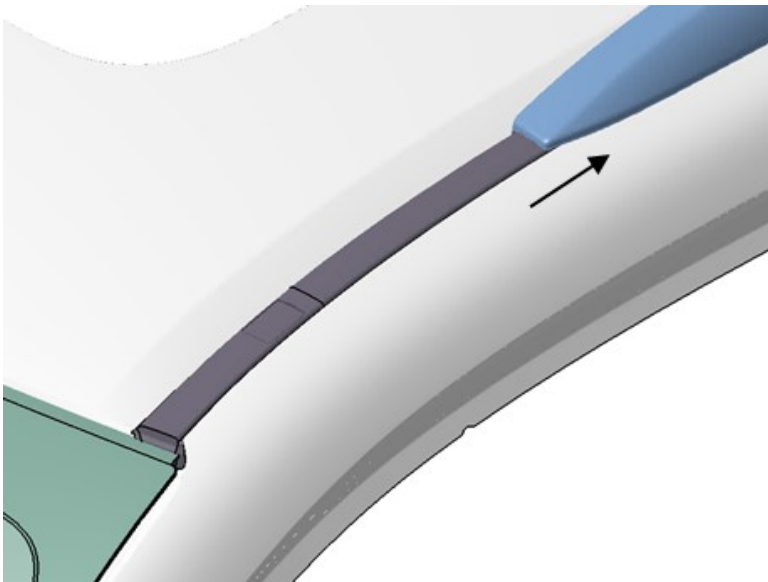
1. Remove the roof molding.



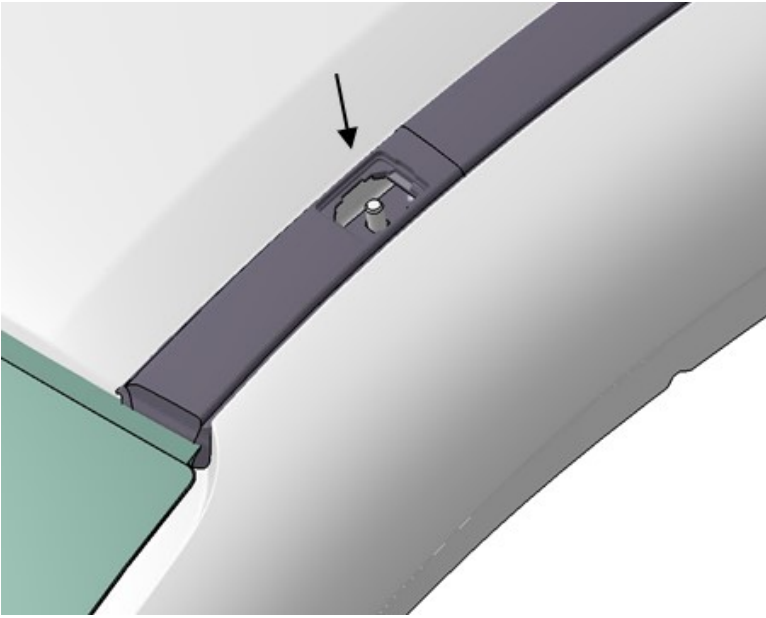
2. Remove any adhesive from the stud threads and the body.



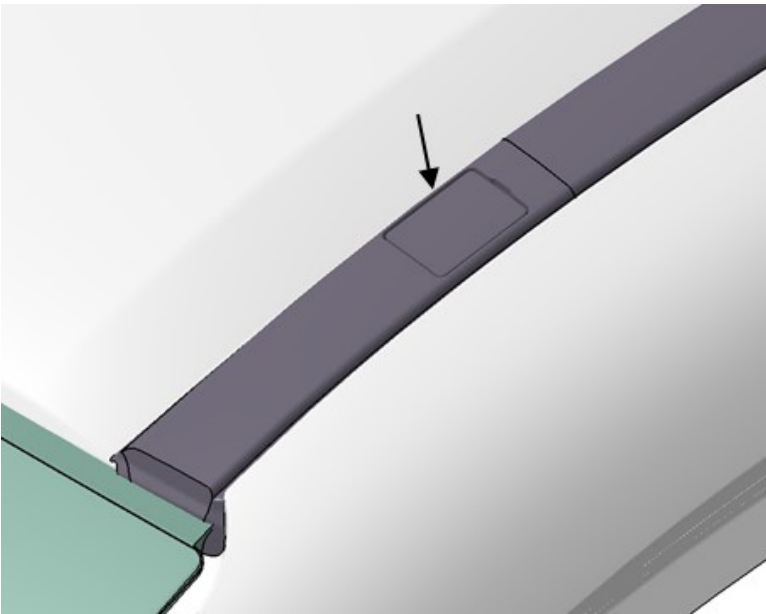
3. Slide the new molding under the roof rail.



- Secure the molding with the supplied nut and torque it to **6.8 -11.7 N•m (5.0 - 8.6 lb-ft)**.



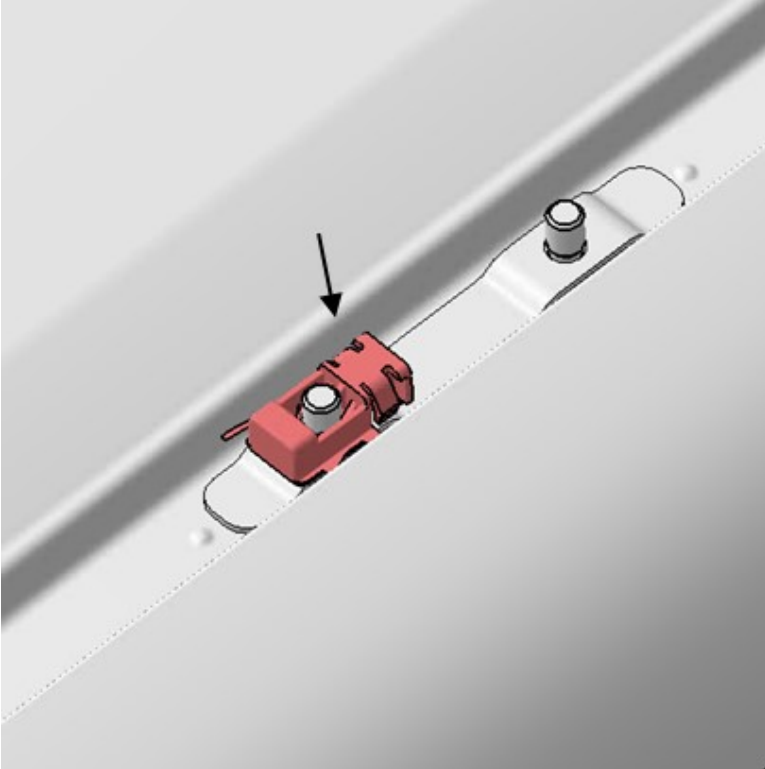
- Install the nut access cover.



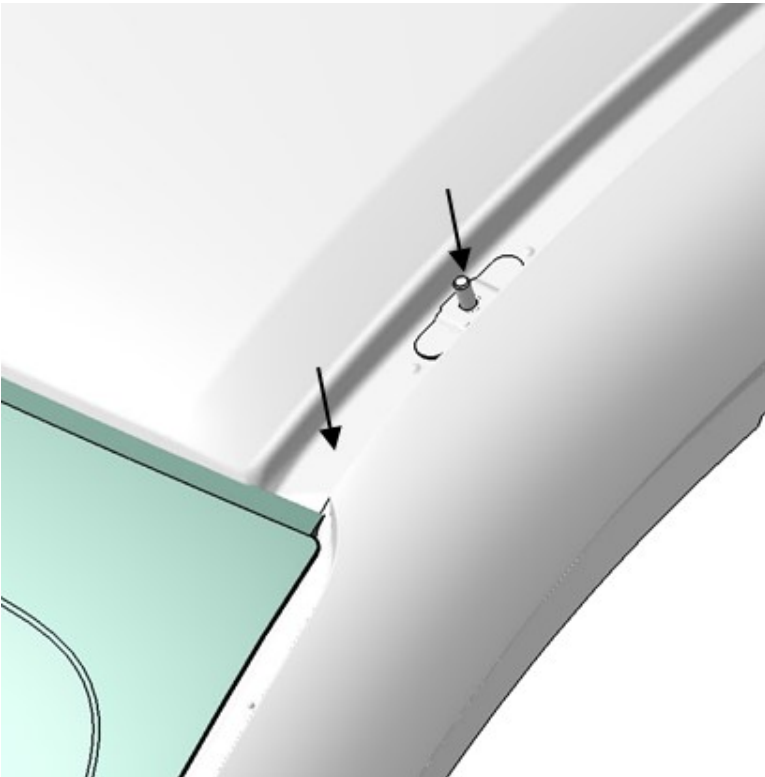
- Replace the roof molding on other side following the same procedure.

Repair Procedure C - Ridgeline

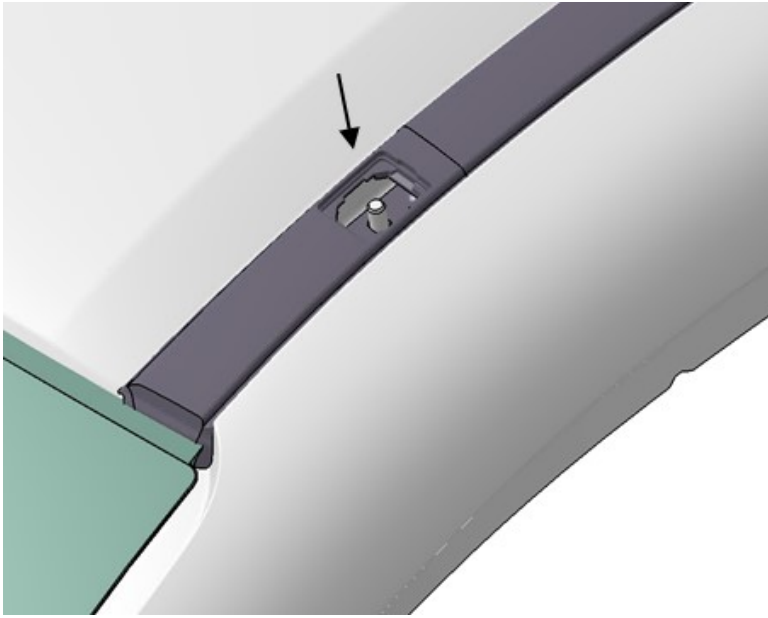
1. Remove the existing roof molding and replace all clips with the parts supplied in the roof rail molding kit.



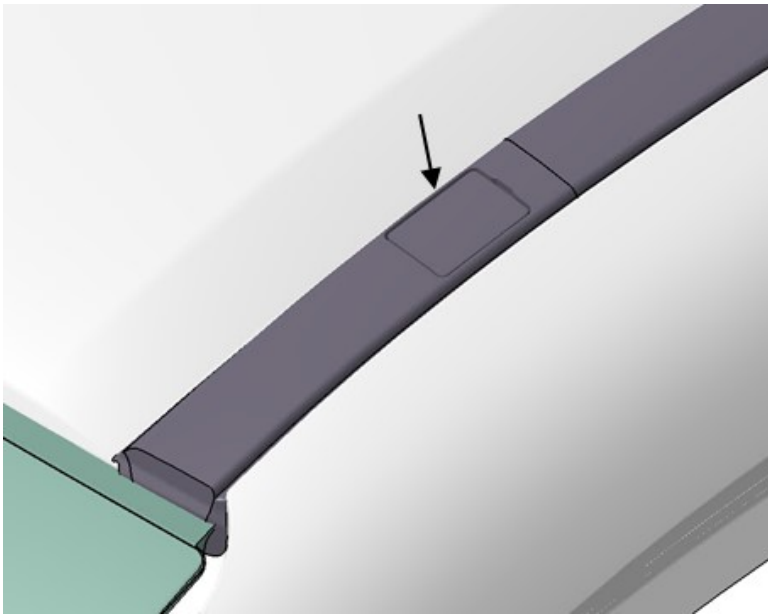
2. Remove any adhesive from the stud threads and the body.



3. Install the new roof molding and secure it with the supplied nut. Torque it to **6.8 -11.7 N•m (5.0 - 8.6 lb-ft)**.



4. Install the nut access cover.



5. Replace the roof molding on other side following the same procedure.

END