

## Replacing Fuel Filler or Charging Door Flap

### Vehicles Affected

Model	Model Year	Model Type	VIN Range	Vehicle-Specific Equipment
Panamera	2018	971	N/A	N/A

### Revision History

Revision	Release Date	Changes
2	April 30, 2018	Updated with improved parts information and procedures, replacing ATI Group 5 1702
1	April 6, 2017	Original document

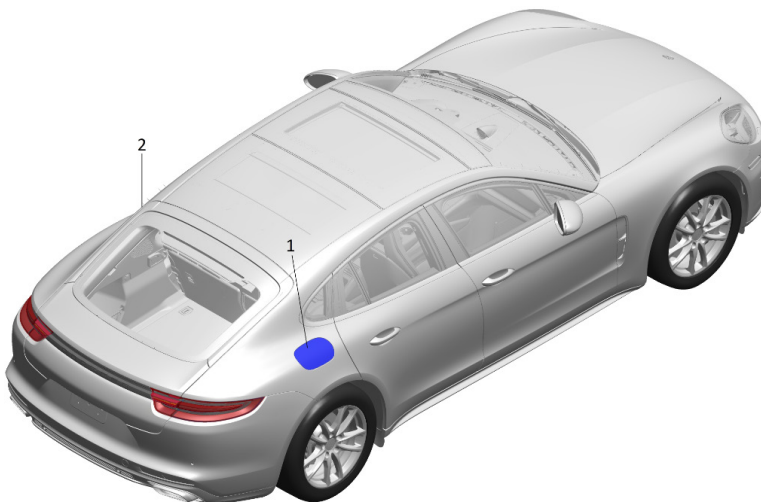
### Condition

The fuel filler door flap, or the charging door flap is difficult to open or close.

### Technical Background

The tolerance for the flap against the body is too tight.

### Installation Position



- 1. Filler Flap
- 2. Charging Door Flap

**Service Information**

Replace the fuel filler door flap or charging door flap. A revised part is now available at our PDC.

Parts:

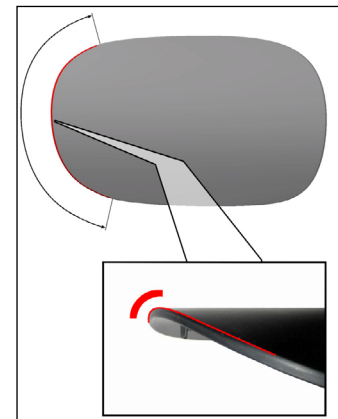
971.809.909.BY	Fuel Filler Door Flap	1 ea.
971.809.920 BY	Charging Door Flap	1 ea. (Panamera E-Hybrid Models only)

Required Tools/Materials:

- Primer coat
- Paint in vehicle color
- Clear coat
- Sandpaper
- Cleaner
- Lint-free cloth

**Preparation**

Due to the rework of the original parts by the supplier, a visible and perceptible edge may be present on the upper side of the flaps. If this is the case, smooth out the red marked edge with suitable sandpaper.



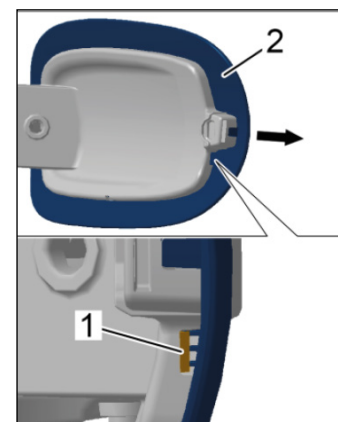
**Painting**

1. Painting filler or charging flap.

Information regarding the painting procedure (preparation, prime coat, base coat finish, & clear coat) see – Paint Manual – Painting procedure of plastic components

**Replacing:**

1. Replacing fuel filler door flap or charging door flap
  - 1.1 Open the fuel filler door flap or charging door flap
  - 1.2 Release catch -1- using a suitable tool, and pull off the flap -2- in the direction of the arrow
  - 1.3 Gently push the new flap in the opposite direction until it noticeably locks.
2. Check the fuel filler door flap or the charging door flap for ease of operation.



**Production Solution**

A production solution is forthcoming and this bulletin will be updated when it is available.

### Warranty

**Scope 1:** Replacing the fuel filler door flap

Working time:

Replacing fuel door filler flap and charge port flap: 19TU

Painting fuel door filler flap and charge port flap: 150TU (via sublet)

**Scope 2:** Replacing the fuel filler door flap and charging door flap

Working time:

Replacing fuel door filler flap and charge port flap: 22TU

Painting fuel door filler flap and charge port flap: 170TU (via sublet)

Please invoice the performed work by submitting a regular warranty claim with the following coding:

	Customer Statement	Technical Evaluation	Cause
<b>Location</b>	55370 Filler flap	55370 Filler flap	09360 Reimbursement
<b>Symptom</b>	1621 Does not open	1071 Tolerance error	9735 Repairs in accordance with PAG instructions
<b>Labor Operation(s)</b>	55371900 Filler flap removed and reinstalled		
<b>Repair Code</b>	2 - New part installed		

Please attach a copy of the invoice in PQIS if the flap(s) are painted by a vendor.

Reference text: "Replacing Fuel filler door flap or charging door flap"

### Search Items

Fuel door, fuel filler, filler flap, fuel flap, fuel filler, charging door, door flap, charging flap

**Important Notice:** Technical Bulletins issued by Porsche Cars North America, Inc. are intended only for use by professional automotive technicians who have attended Porsche service training courses. They are written to inform those technicians of conditions that may occur on some Porsche vehicles, or to provide information that could assist in the proper servicing of a vehicle. Porsche special tools may be necessary in order to perform certain operations identified in these bulletins. Use of tools and procedures other than those Porsche recommends in these bulletins may be detrimental to the safe operation of your vehicle, and may endanger the people working on it. Properly trained Porsche technicians have the equipment, tools, safety instructions, and know-how to do the job properly and safely. Part numbers listed in these bulletins are for reference only. The work procedures updated electronically in the Porsche PIWIS diagnostic and testing device take precedence and, in the event of a discrepancy, the work procedures in the PIWIS Tester are the ones that must be followed.