



Service Bulletin

File in Section: -

Bulletin No.: 17-NA-312

Date: April, 2018

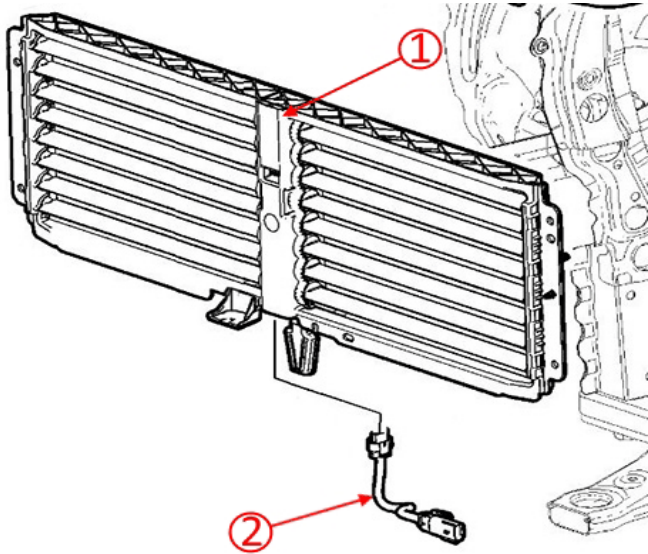
TECHNICAL

Subject: Active Shutters Inoperative, Malfunction Indicator Lamp (MIL) Illuminated - DTCs U01B0, U0284, and/or U1345 Set

Brand:	Model:	Model Year:		VIN:		Engine:	Transmission:
		from	to	from	to		
Chevrolet	Equinox	2018	2018				
GMC	Terrain						

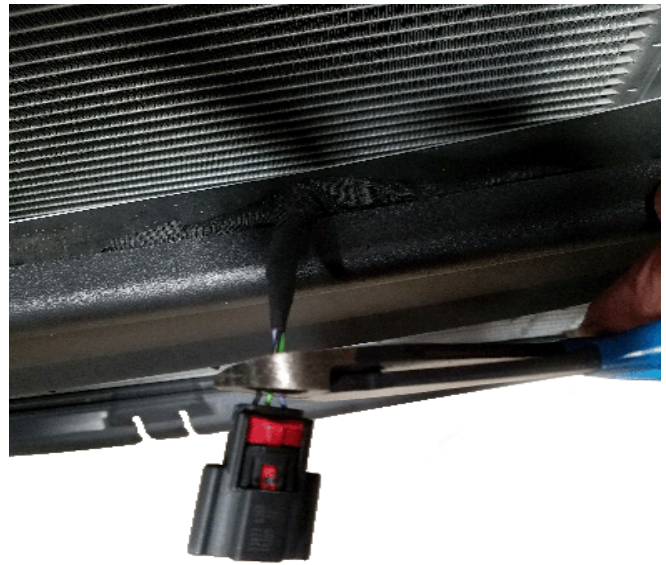
Involved Region or Country	North America and N.A Export Regions
Condition	<p>Some customers may comment on the Malfunction Indicator Lamp (MIL) being illuminated.</p> <p>The technician may find one or more of the following DTCs set:</p> <ul style="list-style-type: none">• U01B0• U0284• U1345
Cause	This condition may be caused by water intrusion into the X102 electrical connector.
Correction	<p>Perform inspection of the X102 active shutter electrical connector for signs of water and/or corrosion.</p> <ul style="list-style-type: none">• If corrosion is present, replace the shutter wiring harness and the forward wiring harness pigtail to shutter harness. <p>⇒ Apply dielectric grease to the wiring harness electrical connectors.</p> <ul style="list-style-type: none">• If corrosion is not present, apply dielectric grease to all the electrical connectors and refer to SI for further diagnostics.

Service Procedure



4867377

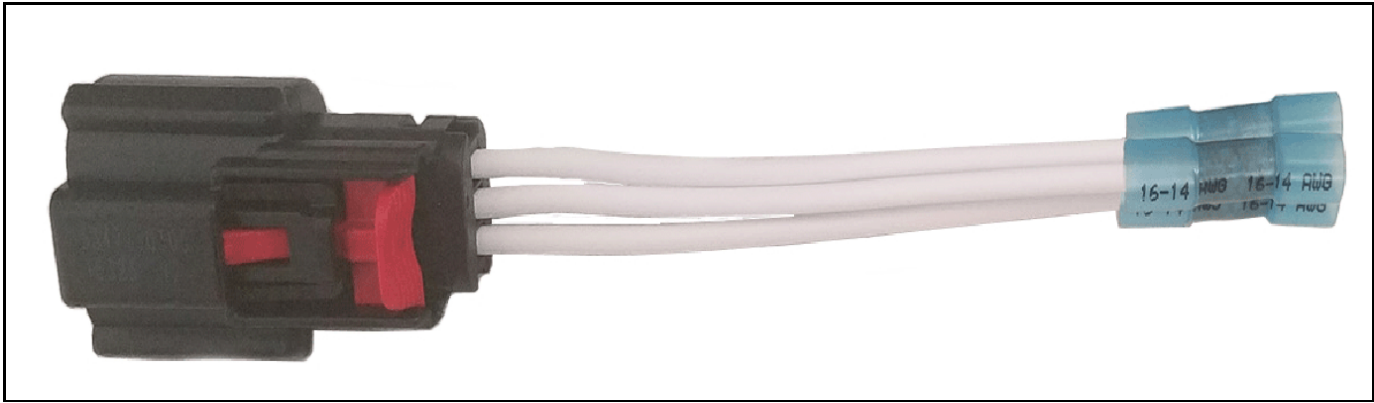
1. Remove the front bumper shutter (1). Refer to *Front Bumper Shutter Replacement* in SI.
2. Remove the shutter wiring harness (2).
3. Install the new shutter wiring harness.
4. Install the front bumper shutter.



4868296

Note: It is recommended not to cut all the wires at the same time, but to install one wire at a time.

5. Cut off the forward wiring harness X102 pigtail electrical connector approximately 75 mm (3 in) back.



5030936

- Cut the new forward wiring harness pigtail to the length required for proper installation.

Important: Use only the Duraseal splice sleeves supplied in kit. Other splice sleeves may not protect the splice from moisture or provide a good electrical connection. Refer to Splicing Copper Wire Using Splice Sleeves in SI for splicing procedures.

- Splice the pigtail to the forward wiring harness using the following sequence. Refer to *Inline Harness Connector End Views* in SI for addition information:
 - Splice the VT/BU wire.
 - Splice the GN/VT wire.
 - Splice the BK wire.
- After splicing the wires together, tape the harness using anti-abrasion electrical tape. Obtain Woven Polyester Electrical Tape (PET) (Special Order PN RZ97156A00) from Kent Automotive.
- Apply dielectric grease to the connectors.
- Connect the shutter side electrical connector to the forward wiring harness electrical connector.

Parts Information

Causal Part	Description	Part Number	Qty
x	HARNESS, RAD SHUTTER WRG	84193593	1
	HARNESS,CONN KIT WRG	19301648	1

Warranty Information

For vehicles repaired under the Bumper-to-Bumper coverage (Canada Base Warranty coverage), use the following labor operation. Reference the Applicable Warranties section of Investigate Vehicle History (IVH) for coverage information.

Labor Operation	Description	Labor Time
5480508*	Shutter harness replacement and Forward Wiring Harness Repair	2.5 hrs

*This is a unique Labor Operation for Bulletin use only.

Version	2
Modified	Released September 29, 2017 April 06, 2018- Added 2018 Terrain to Model section and pigtail kit.

