



Service Bulletin

File in Section: -

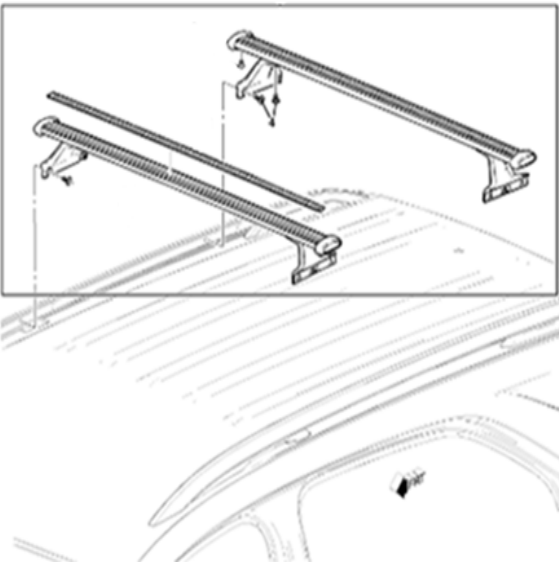
Bulletin No.: 18-NA-036

Date: March, 2018

TECHNICAL

Subject: High Pitched Whistle, Wind Noise from Roof of Vehicle

Brand:	Model:	Model Year:		VIN:		Engine:	Transmission:
		from	to	from	to		
Chevrolet	Equinox	2018	2018			All	All
GMC	Terrain						

Involved Region or Country	North America, N.A. Export Regions
Additional Options (RPOs)	Equipped with ACCESSORY-CROSS RAILS - ROOF RACK - REMOVABLE - RPO (VLL) and LUGGAGE CARRIER - RF RAIL - RPO (V2P)
Condition	Some customers may comment on hearing a high pitched whistle or wind noise coming from the roof of the vehicle. The noise is commonly described as sounding like air leaking out of a small orifice, and is predominately present at speeds between 30-40 MPH (48-64 KM/H).
Cause	 <p style="text-align: right;">4961495</p> <p>The cause of the condition may be the original design of the accessory roof rack cross rails.</p>
Correction	Replace the cross rails with the new cross rail parts kit designed to minimize wind noise. Replace the cross rails following the instruction sheet included in the kit.

Parts Information

Causal Part	Description	Part Number	Qty
X	RAIL KIT-LUGG CARR CR	84450050	1

Warranty Information

For vehicles repaired under warranty, use:

Labor Operation	Description	Labor Time
0521750	Roof Rack/Rail/Panel Replacement	Use Published Labor Operation Time

Version	2
Modified	Released February 05, 2018 Revised March 06, 2018 – Added RPO (V2P)

