



Countries: CANADA, UNITED STATES **Document ID:** IK1600246
Availability: **Revision:** 0
Major System: CAB / SLEEPER / HOOD **Created:** 4/27/2018
Current Language: English **Last Modified:** 4/27/2018
Other Languages: NONE **Author:** Brandon Akridge
Viewed: 23

[Less Info](#)

Hide Details

Coding Information

Copy Link 	Copy Relative Link 	Bookmark View My Bookmarks	Add to Favorites 	Print 	Provide Feedback 	Helpful 0	Not Helpful 0
----------------------	-------------------------------	--	-----------------------------	------------------	-----------------------------	-------------------------	-----------------------------

Title: Hood Cable replacement for Gas and Propane CE Bus

Applies To: CE Bus

CHANGE LOG

Please refer to the change log text box below for recent changes to this article:

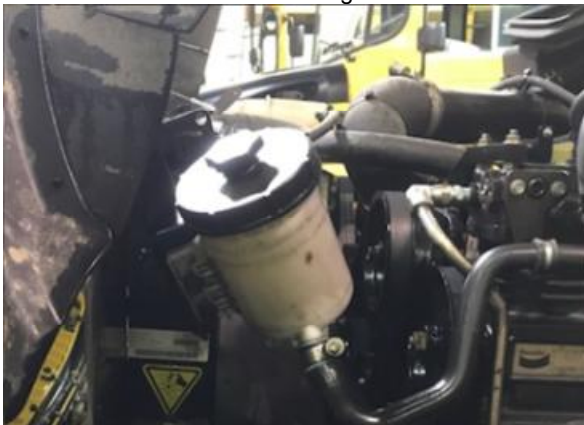
04/27/2018 - Initial Article Release

DESCRIPTION

This document will guide the user through replacing the driver's side hood cable for a CE Bus with a propane or gas engine.

SYMPTOM(s)

Failure of the cable and/or cooling module bracket on the driver's side of a gas or propane bus, similar to picture below



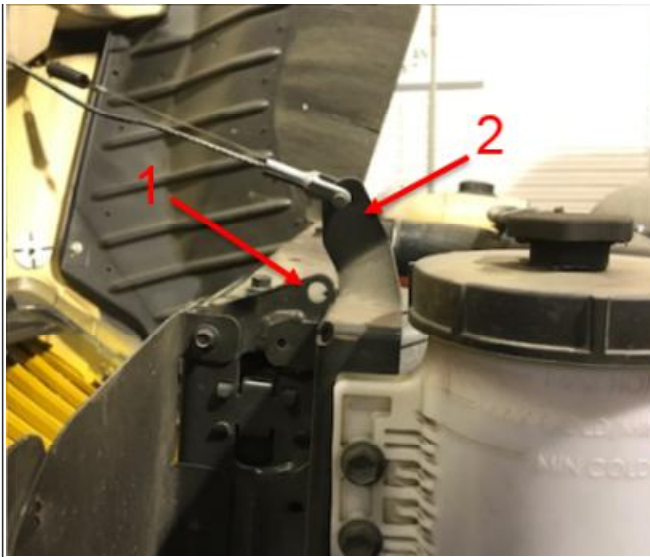


Figure 1: Mounting to cooling module bracket

- Item 1: radiator lifting eye
- Item 2: cooling module bracket

SERVICE PARTS INFORMATION

Kit Description	Part Number	Quantity Required	Notes
CABLE,HOOD SAFETY, ASSY	4120539c91	1	

WARNING:

Park vehicle on hard flat surface, turn the engine off, set the parking brake, and block the wheels to prevent the vehicle from moving in both directions. Failure to do so may result in property damage, personal injury, and / or death

WARNING:

Always wear safe eye protection when performing vehicle maintenance. Failure to do so may result in serious eye injury

REPAIR STEP(s)

Replace existing cable with 4120539c91 and install to the radiator lifting eye as shown in figure 2 below.

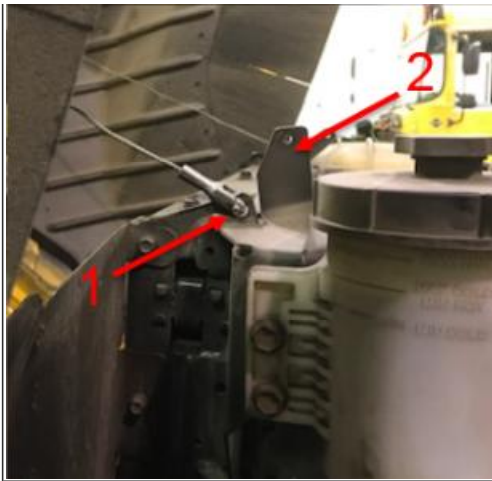
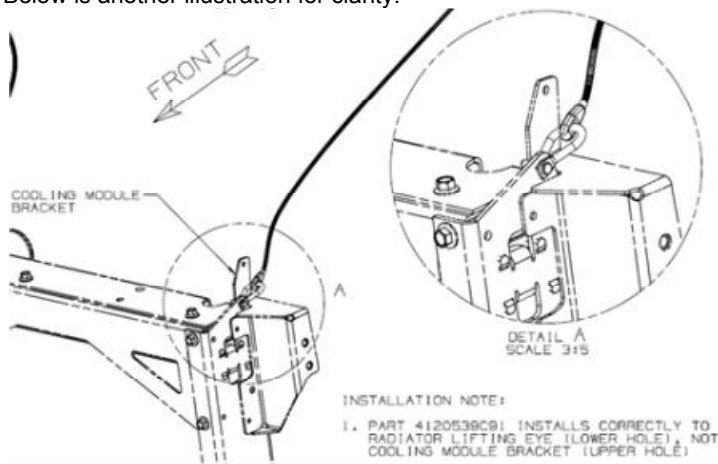


Figure 2: Mounting to radiator lifting eye

Item 1: Radiator lifting eye

Item 2: Cooling module bracket

Below is another illustration for clarity.



WARRANTY INFORMATION

Warranty Claim Coding:

Refer to the [Warranty Coding Manual](#) for Group and Noun Codes.

SRT A16-830 HOOD STOP CABLE and/or cable spring, Replace

Standard Repair Time(s):

Refer to the [SRT Manual](#) for Repair Times

OTHER RESOURCES

[Master Service Information Site](#)

Hide Details

Feedback Information

Viewed: 22

Helpful: 0

Not Helpful: 0

No Feedback Found

Copyright © 2018 Navistar, Inc.