



903 South Main Street • P.O. Box 460 • Middlebury, IN 46540 • (574) 825-5861 • Fax (574) 825-7354

March 2018

Technical Service Bulletin Notification TSB #18-002
Unit Serial Number:

Dear Valued Customer:

Jayco has determined that certain Model Year 2018 Greyhawk, Greyhawk Prestige, and Esteem Class C motorhomes require an upgrade to the Carefree Alpine XL slide out cover. The Carefree upgrade consists of a new idler spindle and cradle supports.

Our records indicate that your motorhome is affected by this service bulletin. Please contact your nearest Jayco/Entegra dealer to schedule an appointment and present this letter as authorization to have the procedure completed at **no cost** to you.

If you have sold or traded your vehicle, or for any reason cannot have this service performed, please contact the Jayco Motorized Customer Service Department at 800-517-9137.

We apologize for any inconvenience this may cause.

Sincerely,
Jayco Motorized

TECHNICAL SERVICE BULLETIN



TSB# 18-002
Job Code 9803376
Series/Flat Rate .5 hr

Date of Publication March 2018

REQUIRES PARTS KIT

ACTION REQUIRED

Vendor upgrades to the slide out covers requires installation of a new idler spindle with strengthened bearing and new cradles.

AFFECTED UNITS

2018 Entegra Esteem

J1BX 8051-8055, 8060, 8063-8075

2018 Jayco Grey Hawk Prestige

J1M2 0058, 0062-0063, 0071, 0075-0076, 0079-0081, 0084-0085, 0090, 0093, 0095, 0098, 0099-0101, 0103-0105, 0110, 0113, 0115, 0117, 0119, 0121, 0123, 0126, 0127

2018 Jayco Grey Hawk

J1MX 0051, 0056, 0061, 0066, 0071-0074, 0080, 0093-0094, 0103, 0108, 0110-0111, 0117, 0121, 0136-0138, 0140, 0145, 0150, 0158, 0160-0161, 0164, 0171, 0178, 0180, 0187-0188, 0197, 0207, 0210, 0214, 0216, 0220, 0230, 0235-0238

PARTS KIT 18-002JM

Note: Kit can only be ordered using the order form included with this bulletin.

1 Spindle Assembly
1 Cradle Kit, Black (2 Cradles)

***Please read carefully and follow the Carefree Bulletin Instructions attached.
Instructions revised by Carefree March 21, 2018***

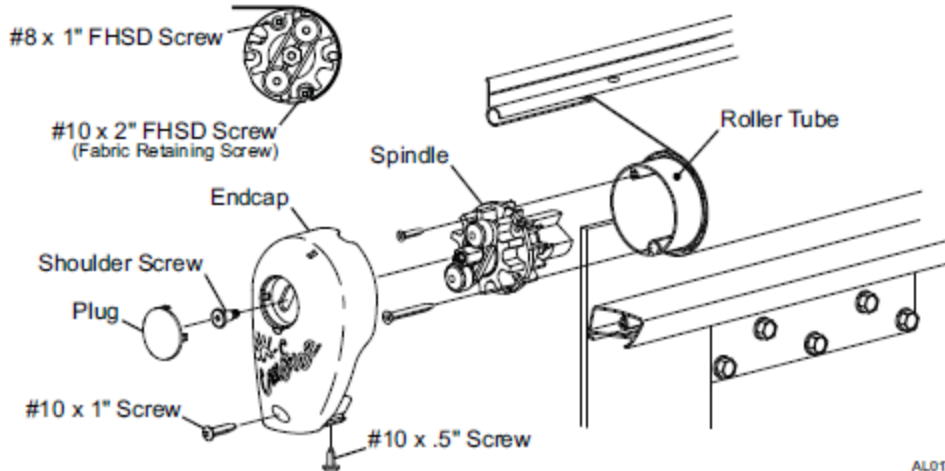


RV Kits

CAREFREE

ALPINE IDLER SPINDLE REPLACEMENT

FOR ALPINE SLIDE OUT COVERS



AL017

1. Close the room.
2. Remove the LH endcap plug.
3. Remove the shoulder screw that secures the roller tube.
4. Remove the two screws holding the LH endcap and remove the endcap.
NOTE: Support the roller tube in place. Do not allow the roller tube to drop.
5. Remove the spindle retaining screw and fabric retaining screw from the end of the spindle.
6. Remove the old spindle and insert the new spindle into the roller tube. Ensure that the mounting hole and fabric slot are lined up.
7. Attach the new spindle to the roller tube with the #8 x 1" FHSD screw removed previously.
8. Place one (1) #10 x 2 FHSD screw through the fabric slot hole and polycord. The screw must be positioned to thread into the metal of the roller tube slot and the edge of the polycord. Do not over tighten; maximum torque 16 in-lbs.
9. Position the endcap over the spindle and attach the endcap to the arm using the screws removed previously.

NOTE: Ensure that both return springs inside the endcap are above the spindle rollers.



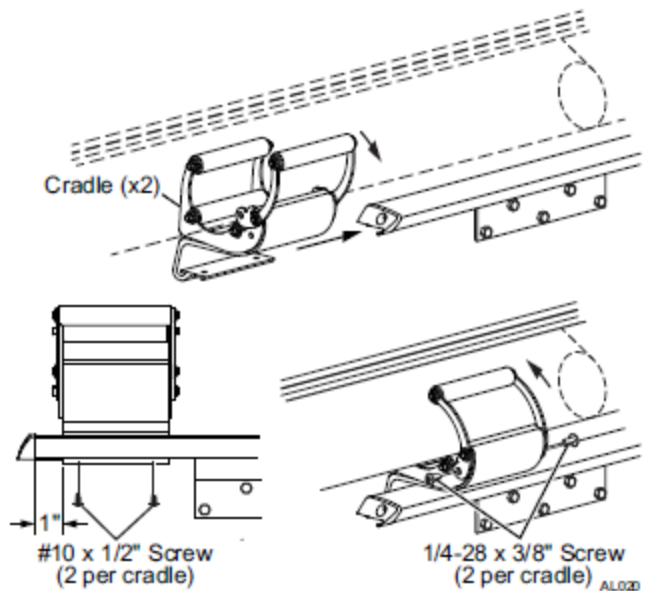
10. Secure the roller tube to the endcap with the #10 shoulder screw removed previously. Torque to 25-35 in-lbs.
11. Insert the plug into the endcap.

*FOR XL ALPINE SLIDE OUT COVERS THAT USES THE
SUPPORT CRADLE (215" AND LONGER)*

This procedure is done after the awning has been installed. This may be done with the room open or closed.

1. If previously installed, remove the existing cradles. Use care to not break the screws.

2. Open the cradle and wrap around the roller tube and fabric.
3. Slide the cradle base into the endcap extrusion and secure with two (2) #10 x 1/2" screws.
4. Close the cradle over the roller tube and fabric. Secure using two (2) 1/4-28 x 3/8" screws
5. Repeat for other side.



Jayco Service / Parts
 TSB Order Form
 Fax (800) 825-8409



TSB 18-002
Carefree Slideout Cover

Dealer Name: _____

Dealer Account Number: _____

Phone: _____ Fax: _____

Ship To: _____

P.O.# _____

Attn: _____

Ship Via: _____

Each unit serial number MUST be recorded when ordering.

Quantity Ordered	Serial Number of Unit (Last 8 Digits)	Part Number <i>One Kit per Unit</i>	U/M	Unit Price
1		18-002JM KIT, Carefree Slideout Cover 9803376	EA	N/C
1		18-002JM KIT, Carefree Slideout Cover 9803376	EA	N/C
1		18-002JM KIT, Carefree Slideout Cover 9803376	EA	N/C
1		18-002JM KIT, Carefree Slideout Cover 9803376	EA	N/C
1		18-002JM KIT, Carefree Slideout Cover 9803376	EA	N/C
1		18-002JM KIT, Carefree Slideout Cover 9803376	EA	N/C
1		18-002JM KIT, Carefree Slideout Cover 9803376	EA	N/C

THESE PARTS CAN ONLY BE ORDERED USING THIS FORM.
You can not order using the website.



903 South Main Street • P.O. Box 460 • Middlebury, IN 46540 • (574) 825-5861 • Fax (574) 825-7354

March 2018

Technical Service Bulletin Notification TSB #18-002
Unit Serial Number:

Dear Valued Customer:

Jayco has determined that certain Model Year 2018 Greyhawk, Greyhawk Prestige, and Esteem Class C motorhomes require an upgrade to the Carefree Alpine XL slide out cover. The Carefree upgrade consists of a new idler spindle and cradle supports.

Our records indicate that your motorhome is affected by this service bulletin. Please contact your nearest Jayco/Entegra dealer to schedule an appointment and present this letter as authorization to have the procedure completed at **no cost** to you.

If you have sold or traded your vehicle, or for any reason cannot have this service performed, please contact the Jayco Motorized Customer Service Department at 800-517-9137.

We apologize for any inconvenience this may cause.

Sincerely,
Jayco Motorized