

## SERVICE BULLETIN

Reference number:	SB-01-1066	Issued: 05 March, 2018
Subject:	DB11 Door Trim Panel Noise	
Model(s):	DB11 Coupe	
VIN Range:	L03717 thru L04974. (But not L04668, L04907, L04946, L04955, L04965, L04967, L04970, L04971 & L04973)	
Applicable to:	All Dealers	
Distribute to:	After Sales Manager Executive Manager Service Manager Sales Manager	Warranty Staff Technician(s) Parts Staff

### Reason for this Service Bulletin

On some DB11 Coupe vehicles there is potential for the rear upper section of the door trim panel to rattle. If a customer has a vehicle with this problem, do the procedure that follows to stop the rattle.

### Workshop Procedure

**Note:** *The images in the procedure that follows show a right door assembly. The procedure is the same for a left door assembly.*

1. Open the door.
2. Release the two clips that attach the end cap to the door assembly (refer to Figure 1).

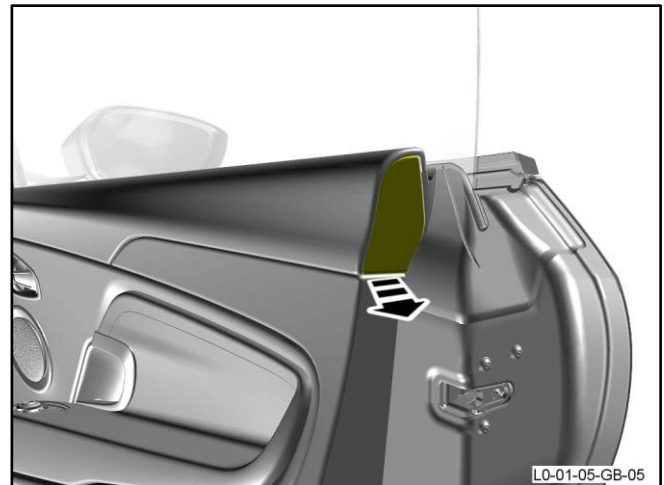
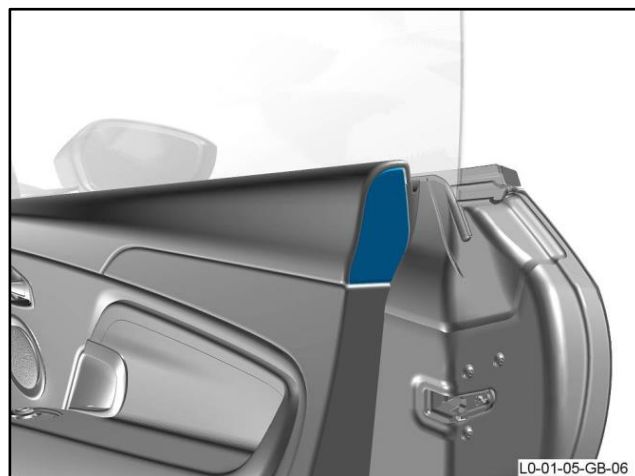


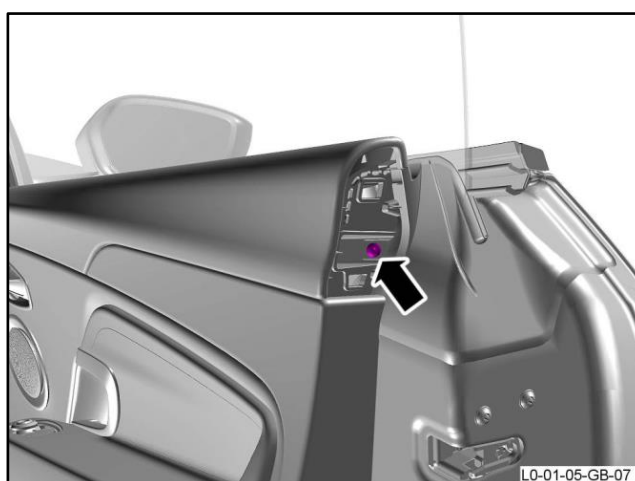
Figure 1

3. Remove the end cap (refer to Figure 2).



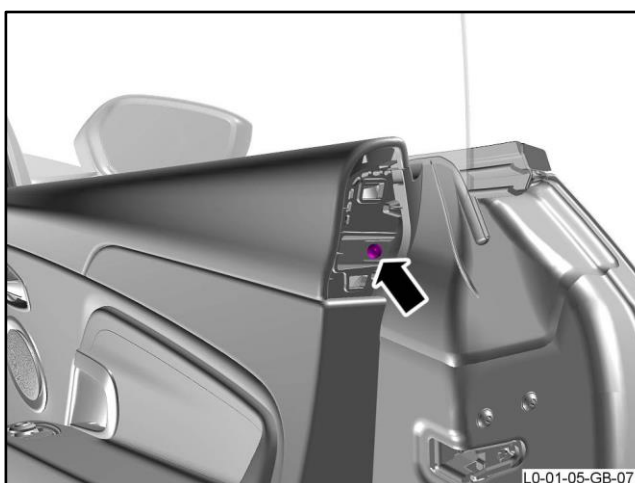
**Figure 2**

4. Remove the screw that attaches the trim panel to the door (refer to Figure 3).



**Figure 3**

5. Replace the screw that attaches the trim panel to the door with part no. 700242 (refer to Figure 4). Tighten the screw to 5 Nm.



**Figure 4**

6. Install the end cap to the trim panel for the door (refer to Figure 5).

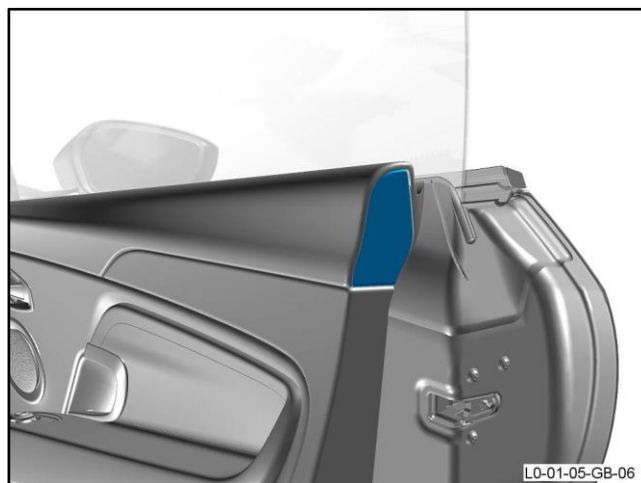


Figure 5

7. Close the door.  
8. Do the above procedure for the other door.

#### Part Data

Description	Part Number	Quantity
SCREW M5 X 16, PAN HEAD, BLACK	700242	2

#### Warranty Data

##### Procedure and Labour Time

Description	Labour Time	ROT Code
Door Trim Panel Noise.	0.1 hours	01.05.KG

#### Failure Mode Description

Select the failure modes that follow when you make a claim through the Warranty system:

Subsystem	Location	Component	Mode of Failure
SQUEAK & RATTLE	BODY - DOOR - FRONT - RHS	FRONT - DOOR - PANEL - RHS	SQUEAK / RATTLE - LOOSE / FOREIGN OBJECT
SQUEAK & RATTLE	BODY - DOOR - FRONT - LHS	FRONT - DOOR - PANEL - LHS	SQUEAK / RATTLE - LOOSE / FOREIGN OBJECT

If you have any questions related to this Service Bulletin, please contact: Aston Martin Technical Services on: +44 (0) 1926 644720, email: askamtech@astonmartin.com,  
Or contact your After Sales Manager.

The English version of this Service Bulletin is written in Simplified Technical English to ASD-STE100™.