

March 16, 2018

Version 1

Capless Shutter Set (Mis-Fuel Inhibit Device) Is Frozen

AFFECTED VEHICLES

Year	Model	Trim	VIN Range
2016-18	Pilot	ALL	ALL
2017-18	Ridgeline	ALL	ALL

SYMPTOM

The customer is unable to insert the fuel nozzle into the filler neck and fuel the vehicle in cold weather.

PROBABLE CAUSE

Water or moisture has entered the fueling area and frozen the capless fuel shutter set in the fuel filler neck.

CORRECTIVE ACTION

Replace the capless shutter set. Install the fuel filler lid and apply the fuel filler caution label (if applicable).

WARRANTY CLAIM INFORMATION

The normal warranty applies.

Operation Number	Description	Flat Rate Time	Defect Code	Symptom Code	Template ID	Failed Part Number
3101U2	Pilot: Replace the capless shutter set. Install the fuel filler lid and apply the fuel filler caution label.	0.7 hr	03214	03217	A18018A	17060-TG7-A01
3101U2	Ridgeline: Replace the capless shutter set. Install the fuel filler lid and apply the fuel filler caution label.	0.7 hr	03214	03217	A18018B	17060-TG7-A01

Skill Level: Repair Technician

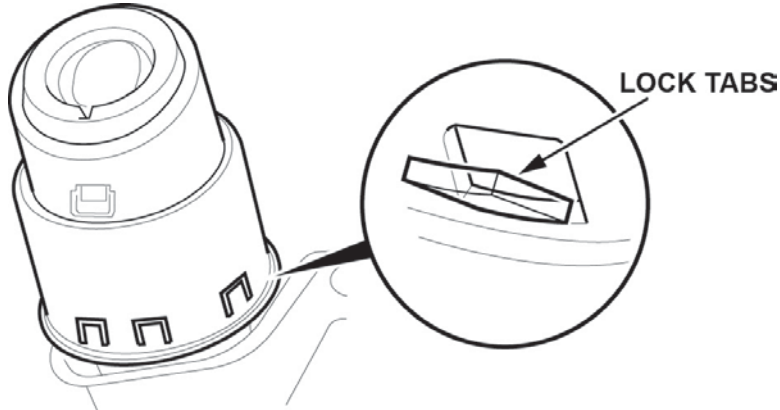
CUSTOMER INFORMATION: The information in this bulletin is intended for use only by skilled technicians who have the proper tools, equipment, and training to correctly and safely maintain your vehicle. These procedures should not be attempted by "do-it-yourselfers," and you should not assume this bulletin applies to your vehicle, or that your vehicle has the condition described. To determine whether this information applies, contact an authorized Honda automobile dealer.

PARTS INFORMATION

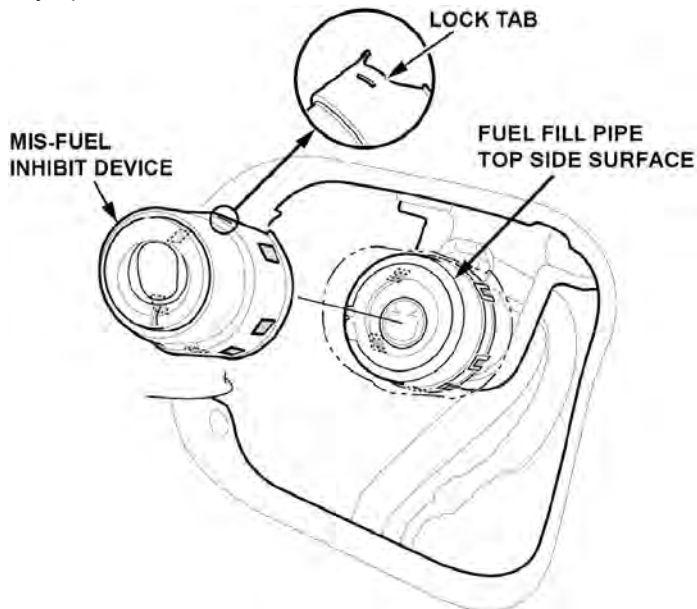
Part Name	Part Number	Quantity
Fuel Filler Caution Label	17669-TG7-A01	1
Capless Shutter Set (Mis-Fuel Inhibit Device)	06160-TG7-A01	1
Fuel Filler Lid (Pilot)	17667-TG7-A01	1
Fuel Filler Lid (Ridgeline)	17667-T6Z-A01	1

REPAIR PROCEDURE - PILOT

1. Remove the mis-fuel inhibit device by breaking the six lock tabs.



2. Pry up the lock tab, and remove the mis-fuel inhibit device.

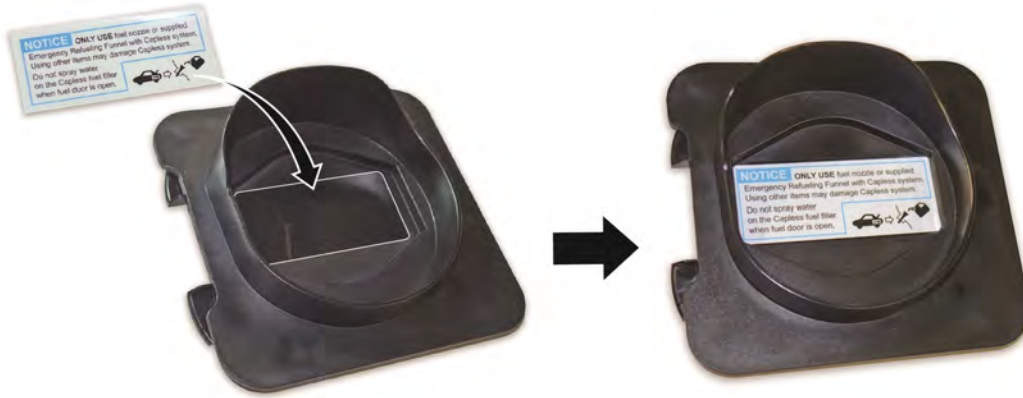


NOTE

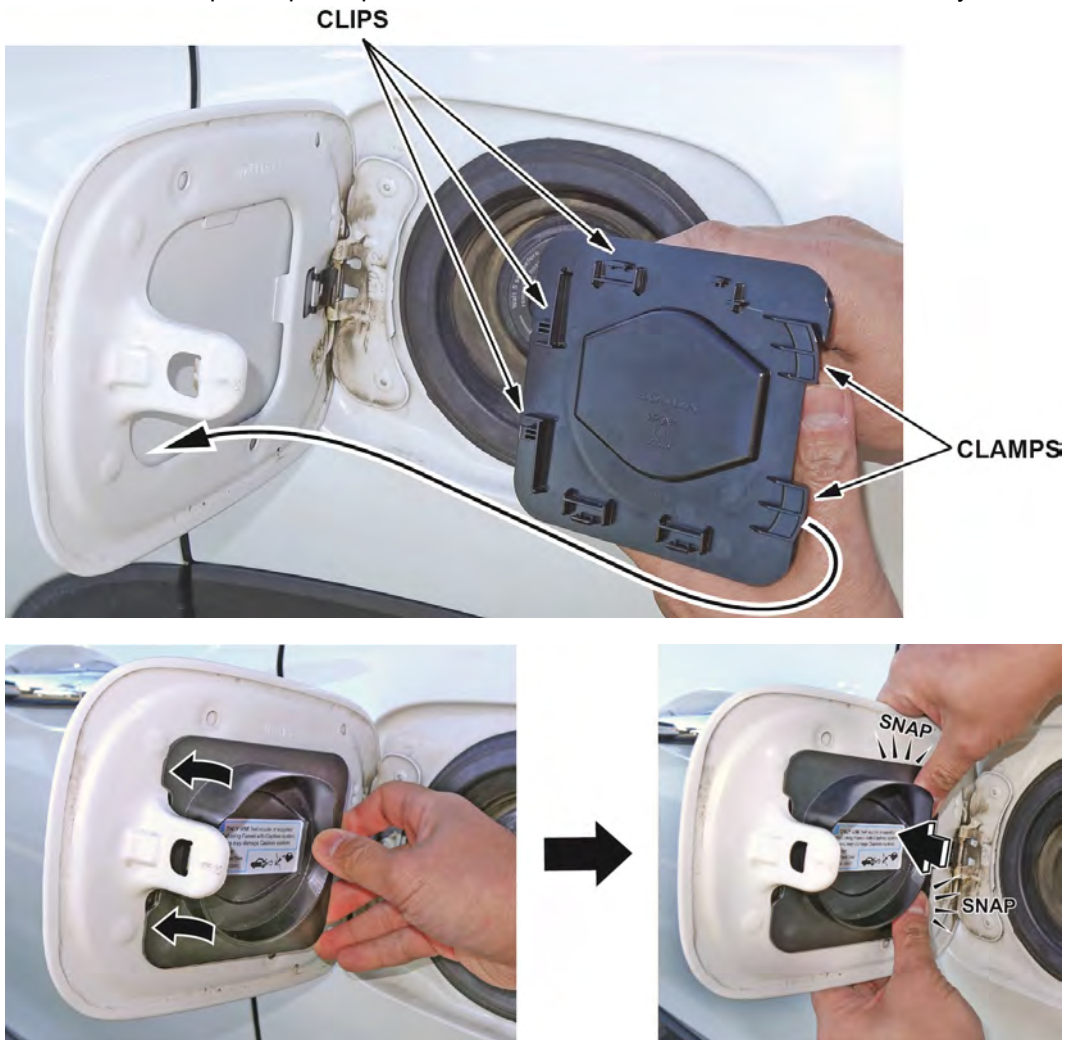
Be careful not to damage the fuel fill pipe or the main flap unit (fuel fill pipe top side surface); they **do not** need to be replaced at this time.

3. Install the new mis-fuel inhibit device.

4. Apply the fuel filler caution label to the new fuel filler lid cover as shown. Make sure the lid is clean and grease-free, especially on the surface where the label will be applied.



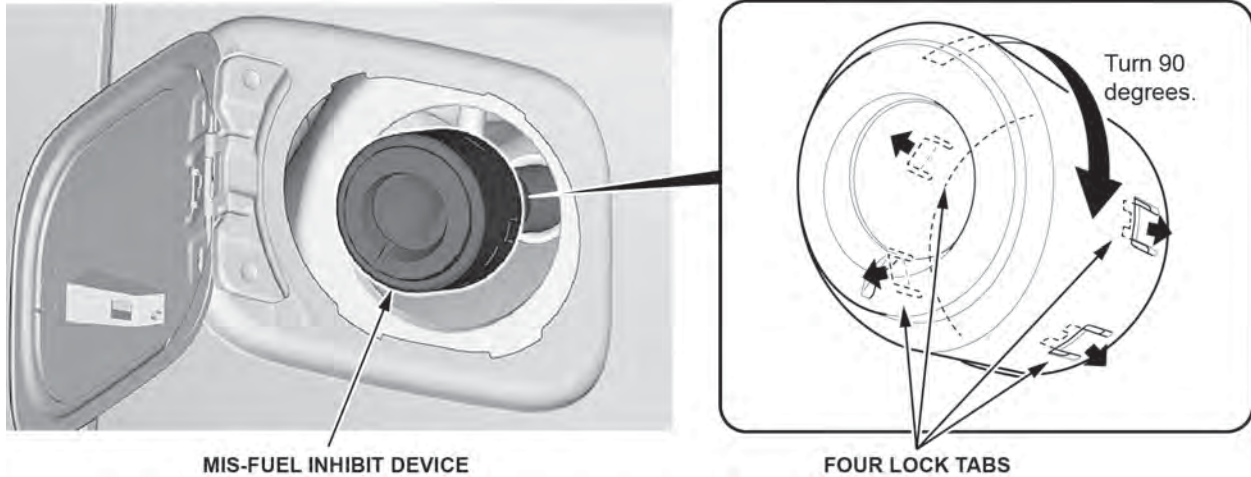
5. Make sure the clamps engage the fuel fill door, then slide the lid cover away from the fuel fill door hinge. Press on the lid until the clips snap into place. This indicates the lid is secured and correctly installed.



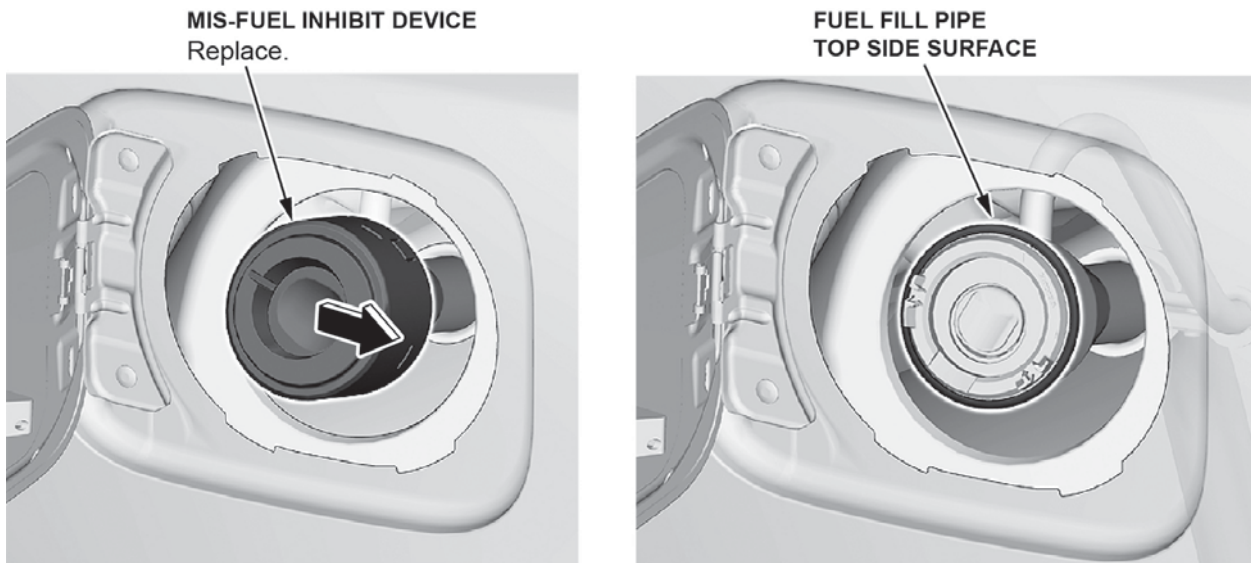
6. Make sure the fuel fill door closes and latches without contact or interference from the mis-fuel inhibit device and surrounding area.
7. Make sure the fuel fill door release works correctly when using the fuel fill door release button.

REPAIR PROCEDURE - RIDGELINE

1. Remove the mis-fuel inhibit device by prying out the four lock tabs and turning the assembly 90 degrees.



2. Tilt the mis-fuel inhibit device towards the rear of the vehicle to remove it from the fuel fill pipe.

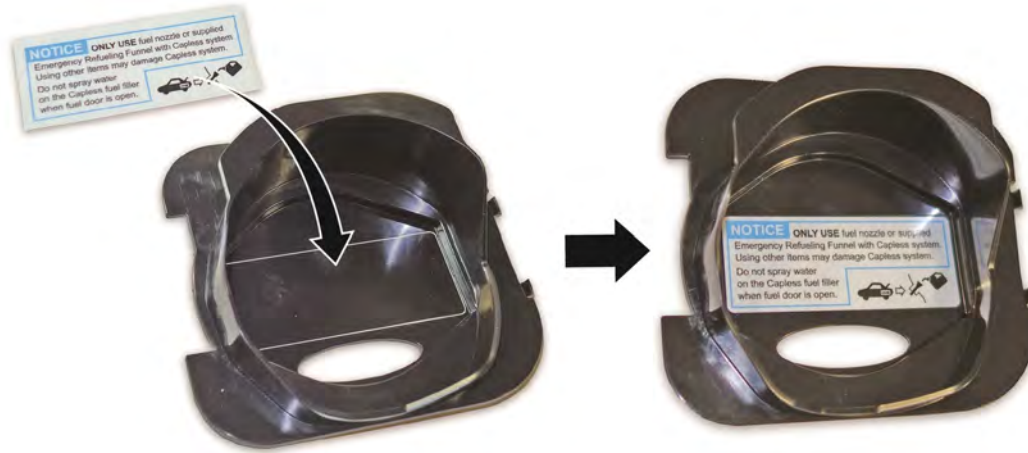


NOTE

Be careful not to damage the fuel fill pipe or the main flap unit (fuel fill pipe top side surface); they **do not** need to be replaced at this time.

3. Install the new mis-fuel inhibit device.

4. Apply the fuel filler caution label to the new fuel filler lid as shown. Make sure the new lid is clean and grease-free, especially on the surface where the label will be applied.



5. Make sure the clamps engage the fuel fill door, then slide the lid away from the fuel fill door hinge. Press on the lid until the clips snap into place. This indicates the lid is secured and correctly installed.



6. Make sure the fuel fill door closes and latches without contact or interference from the mis-fuel inhibit device and surrounding area.
7. Make sure the fuel fill door release works correctly when using the fuel fill door release button.

END