

Subject Rear Differential Torque Confirmation		Market USA
Service Category Drivetrain	Section Axle/Differential	
Applicability 2017-2018 MY Tacoma		

APPLICABLE VEHICLES

2017-2018	Tacoma
-----------	--------

CONDITION

The Tacoma BD20 Rear Differential has two active part numbers for the fasteners that attach the differential carrier to the axle housing.

Vehicles Equipped with BD20 Differential:

- Tacoma 4x4 – 4 cylinder – Automatic Transmission
- Tacoma 4x4 – 6 cylinder – Automatic Transmission
- Tacoma PreRunner

There are 10 fasteners on the BD20 differential (12mm fastener / 8 mm stud).

The fastener part numbers are 90170-08042 & 90170-08036.

There are two different torque values for these fasteners:

- 1) 90170-08042 – 18 ft. lbs. {25 N·m, 255 kgf·cm}
- 2) 90170-08036 – 28 ft. lbs. {37 N·m, 378 kgf·cm}

Vehicles produced prior to 5/12/2017 should be equipped with 90170-08042.

Vehicles produced after 5/18/2017 should be equipped with 90170-08036.

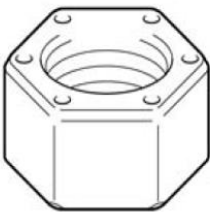

Part Number – 90170-08042 Usage – 8/2015 – 5/12/17	Part Number – 90170-08036 Usage – 5/18/17 - Current
	
Specified torque: 25 N*m (255 kgf*cm, 18 ft.*lbf)	Specified torque: 37 N*m (378 kgf*cm, 28 ft.*lbf)

Fig 1. Part Comparison
Confirm presence of “dimples” on the fastener to distinguish fastener type

Subject

Rear Differential Torque Confirmation

Market

USA

Applicability

RECOMMENDATIONS

Please utilize TIS to confirm service history of the vehicle.
View the vehicle "Campaign" history to confirm if SSC HOG has been completed:

If SSC has been performed:

- 1) Retighten – Utilize torque values for 90170-08042
- 2) Replaced Parts – Utilize torque values for 90170-08036

If SSC has not been performed:

Follow SSC HOG procedure

These instructions are to confirm the proper torque is being applied to vehicle.

If repairs are necessary, please utilize the new part number [90170-08036] and corresponding torque values [28 ft. lbs. {37 N·m, 378 kgf·cm}]

LINK REFERENCES

- 3) [DIFFERENTIAL: BD20D DIFFERENTIAL CARRIER ASSEMBLY\(w/o Differential Lock\): INSTALLATION; 2016 - 2018 MY Tacoma \[08/2015 - ???????\]](#)
- 4) [HOG Repair Procedure](#)