

**MODEL:** Karma Revero**DATE:** July 2017**Revised:** February 2018**TITLE:** Wiper Arm Replacement**APPLICABILITY:** MY17 and MY18 Revero, On Complaint**MARKET REGION:** North America**PURPOSE:** Replacement of passenger side wiper arm

The concern present is as illustrated in (fig 1). The nozzle slides out of position on wiper arm making the washer fluid hose visible

To remedy this concern install the new passenger side wiper arm C131178201205 on the vehicle.



fig.1

## 2. Remove the passenger side windshield wiper

- a. Mark the windshield for the fitted position of the passenger side wiper arm to reinstall it at the same park location

Karma Automotive Bulletins and service documents are intended for use by experienced and trained Technicians. If you lack the skills, tools, equipment and a suitable workshop for any procedure described in this document, we suggest you leave such repairs to a Karma retailer and service provider. See your service provider for advice on whether your vehicle may benefit from the information contained within this document. The information contained in the Karma Bulletin is accurate at the date of publication. However, Karma Automotive regularly updates technical information. Please check with your Karma Automotive Retailer and Karma Automotive service provider that the bulletin you intend to use contains the latest available information.

MODEL: Karma Revero

DATE: July 2017

Revised: February 2018

### TITLE: Wiper Arm Replacement

- b. Remove the cap and Remove the nut (install torque 25Nm) (fig. 2a, b) When removing the wiper, undo the hose from the "Y" fitting as shown in fig. 2c,d. The new arm will have nozzles and a hose used to reinstall



fig.2a

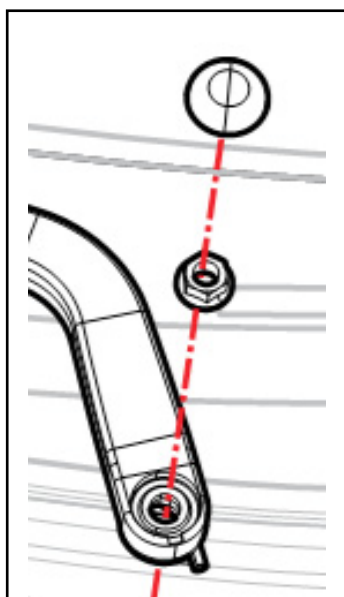


fig.2b



fig.2c

Karma Automotive Bulletins and service documents are intended for use by experienced and trained Technicians. If you lack the skills, tools, equipment and a suitable workshop for any procedure described in this document, we suggest you leave such repairs to a Karma retailer and service provider. See your service provider for advice on whether your vehicle may benefit from the information contained within this document. The information contained in the Karma Bulletin is accurate at the date of publication. However, Karma Automotive regularly updates technical information. Please check with your Karma Automotive Retailer and Karma Automotive service provider that the bulletin you intend to use contains the latest available information.

**MODEL: Karma Revero****DATE: July 2017****Revised: February 2018****TITLE: Wiper Arm Replacement**

Hose removed from fitting.

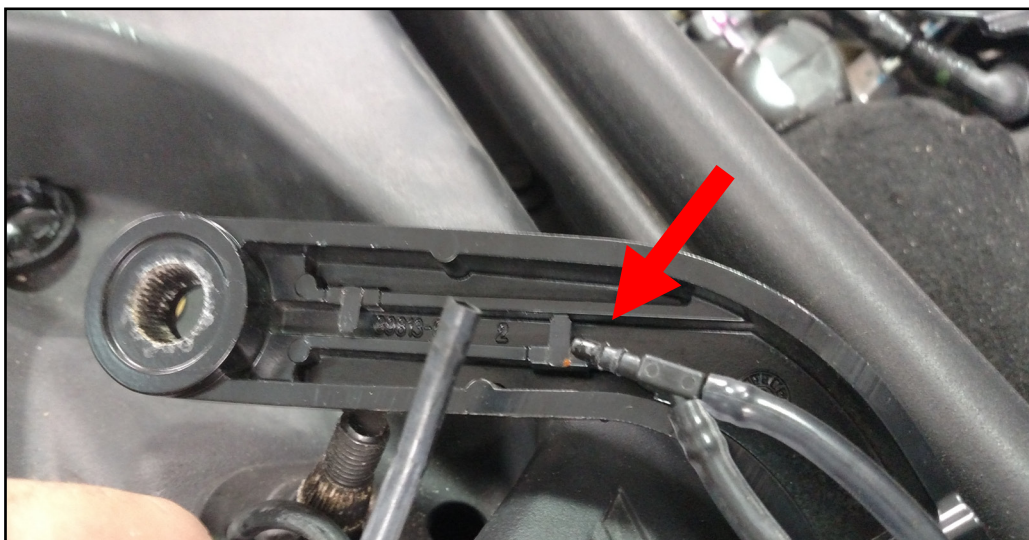


fig.2d

- c. The hose will not detach but may pull out some length from the grommet, (fig. 3a) when attaching to the new wiper arm, be sure to push the excess length back through the grommet.



fig.3a

Karma Automotive Bulletins and service documents are intended for use by experienced and trained Technicians. If you lack the skills, tools, equipment and a suitable workshop for any procedure described in this document, we suggest you leave such repairs to a Karma retailer and service provider. See your service provider for advice on whether your vehicle may benefit from the information contained within this document. The information contained in the Karma Bulletin is accurate at the date of publication. However, Karma Automotive regularly updates technical information. Please check with your Karma Automotive Retailer and Karma Automotive service provider that the bulletin you intend to use contains the latest available information.

**MODEL: Karma Revero****DATE: July 2017****Revised: February 2018****TITLE: Wiper Arm Replacement**

- d. Remove the wiper blade and transfer it to the new assembly, if not so equipped (fig.4).

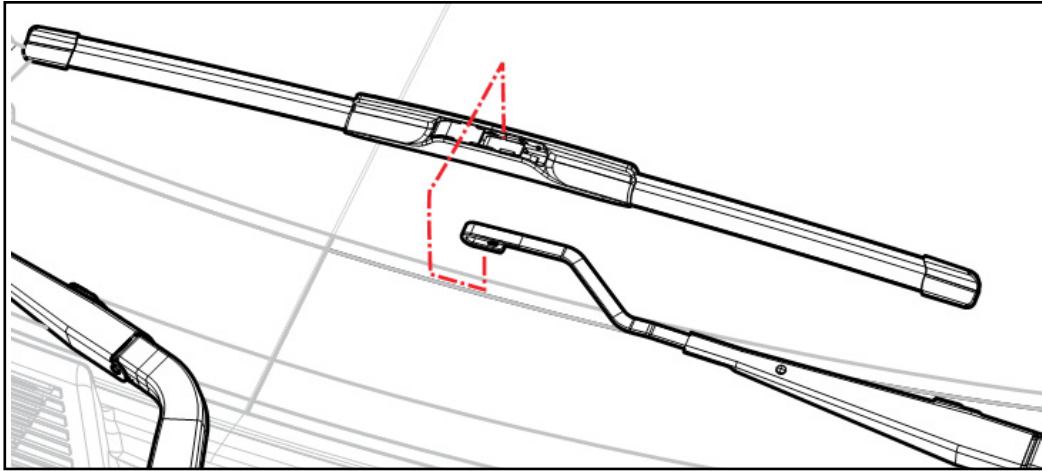
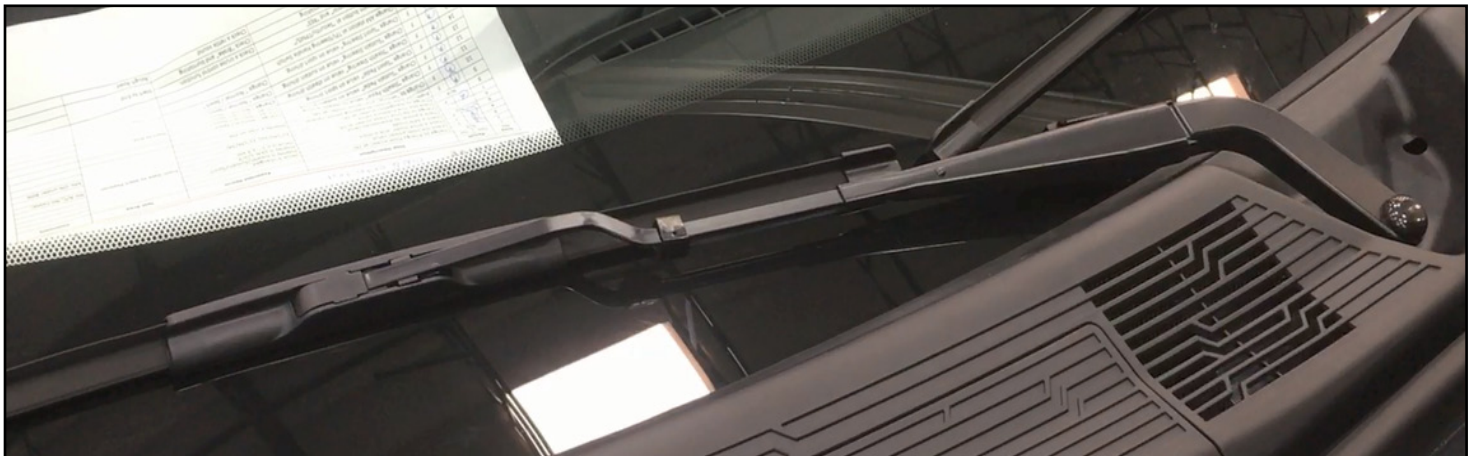


fig.4

3. Install new wiper arm P/N C131178201205 in reverse order of removal.



Karma Automotive Bulletins and service documents are intended for use by experienced and trained Technicians. If you lack the skills, tools, equipment and a suitable workshop for any procedure described in this document, we suggest you leave such repairs to a Karma retailer and service provider. See your service provider for advice on whether your vehicle may benefit from the information contained within this document. The information contained in the Karma Bulletin is accurate at the date of publication. However, Karma Automotive regularly updates technical information. Please check with your Karma Automotive Retailer and Karma Automotive service provider that the bulletin you intend to use contains the latest available information.



# Technical Service Bulletin

**TB-17-78-13**

**MODEL: Karma Revero**

**DATE: July 2017**

**Revised: February 2018**

**TITLE: Wiper Arm Replacement**

**PARTS REQUIRED:**

PART NUMBER	DESCRIPTION
C131178201205	Passenger Side Wiper Arm

**SHOP SUPPLIES:**

DESCRIPTION
N/A

**SPECIAL TOOLS:**

DESCRIPTION
N/A

**CAUSAL PART:**

PART NUMBER	DESCRIPTION
C131178201204	Passenger Side Wiper Arm

**LABOR CODES:**

CODE	DESCRIPTION	TIME	DEFECT CODE
90-90-02-00	R & R Wiper Arm	0.2	90-90-02-17

**SUBLET:**

CODE	DESCRIPTION	AMOUNT
N/A	N/A	N/A

**WARRANTY DISPOSITION:** This repair is covered under the New Vehicle Limited Warranty, in effect for five (5) years from the in-service date with no mileage limitation.

Karma Automotive Bulletins and service documents are intended for use by experienced and trained Technicians. If you lack the skills, tools, equipment and a suitable workshop for any procedure described in this document, we suggest you leave such repairs to a Karma retailer and service provider. See your service provider for advice on whether your vehicle may benefit from the information contained within this document. The information contained in the Karma Bulletin is accurate at the date of publication. However, Karma Automotive regularly updates technical information. Please check with your Karma Automotive Retailer and Karma Automotive service provider that the bulletin you intend to use contains the latest available information.