



Service Campaign

CC-17-86-09

MODEL: Karma Revero

DATE: July 2017

TITLE: Driver seat harness inspection

Revised February 2018

PRIORITY: All Revero

APPLICABILITY: MY17 and MY18 Revero

MARKET REGION: North America

PURPOSE: This document will be used as a reference guide to inspect the driver seat under seat harness for proper installation

The following vehicles should be inspected for proper wire harness cable tie installation.

Vehicle Identification Number	
50GK41SA3HA000012	50GK41SA0JA000023
50GK41SA7HA000014	50GK41SA2JA000024
50GK41SA0HA000016	50GK41SA4JA000025
50GK41SA4HA000018	50GK41SA6JA000026
50GK41SA6HA000019	50GK41SA9JA000019
50GK41SA2HA000020	50GK41SA5JA000020
50GK41SA4HA000021	50GK41SA8JA000027
50GK41SA6HA000022	50GK41SA2JA000007
50GK41SA8HA000023	50GK41SAXJA000028
50GK41SAXHA000024	50GK41SA1JA000029
50GK41SA4JA000011	50GK41SA8JA000030
50GK41SA6JA000012	50GK41SAXJA000031
50GK41SA8JA000013	50GK41SA1JA000032
50GK41SAXJA000014	50GK41SA3JA000033
50GK41SA1JA000015	50GK41SA5JA000034
50GK41SA3JA000016	50GK41SA7JA000035
50GK41SA5JA000017	50GK41SA9JA000036
50GK41SA7JA000021	50GK41SA0JA000037
50GK41SA9JA000022	50GK41SA2JA000038
	50GK41SA2JA000010

Karma Automotive Bulletins and service documents are intended for use by experienced and trained Technicians. If you lack the skills, tools, equipment and a suitable workshop for any procedure described in this document, we suggest you leave such repairs to a Karma retailer and service provider. See your service provider for advice on whether your vehicle may benefit from the information contained within this document. The information contained in the Karma Bulletin is accurate at the date of publication. However, Karma Automotive regularly updates technical information. Please check with your Karma Automotive Retailer and Karma Automotive service provider that the bulletin you intend to use contains the latest available information.

MODEL: Karma Revero

DATE: July 2017

Revised February 2018

TITLE: Driver seat harness inspection

The driver seat harness has specific fitment required. This bulletin will require inspection of the harness under the seat.

1) Loosen the front and rear driver seat mounts, install torque $50\text{Nm} \pm 5.0\text{ Nm}$ (fig. 1a, 1b) apply threadlocker to the bolts (such as Loctite 242 or equivalent fig.1c).

- Lift the seat enough to view the harness as shown below (fig. 1d).
- If the harness is not secured, use zip ties to hold harness in place.

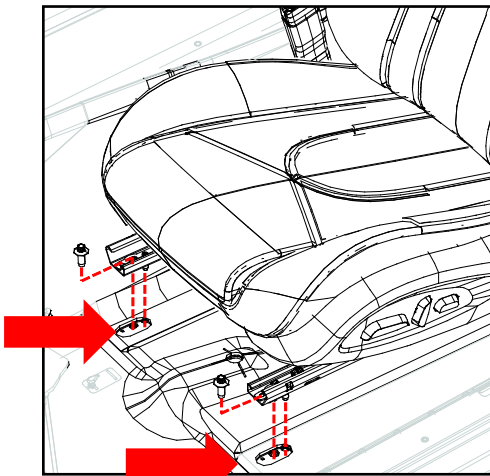


fig. 1a

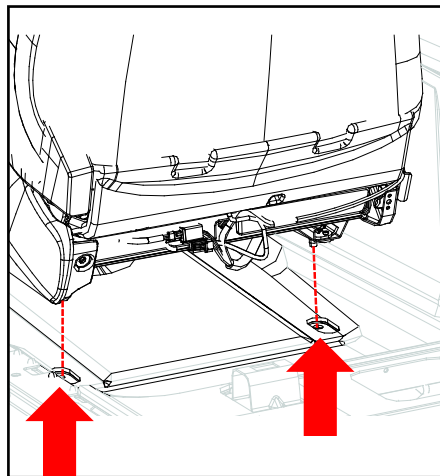
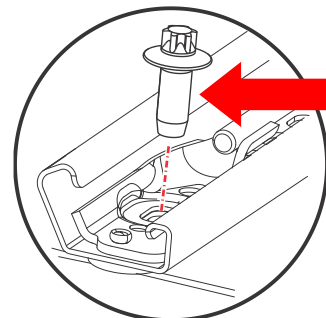


fig. 1b



$50.0 \pm 5.0\text{ Nm}$



fig. 1c

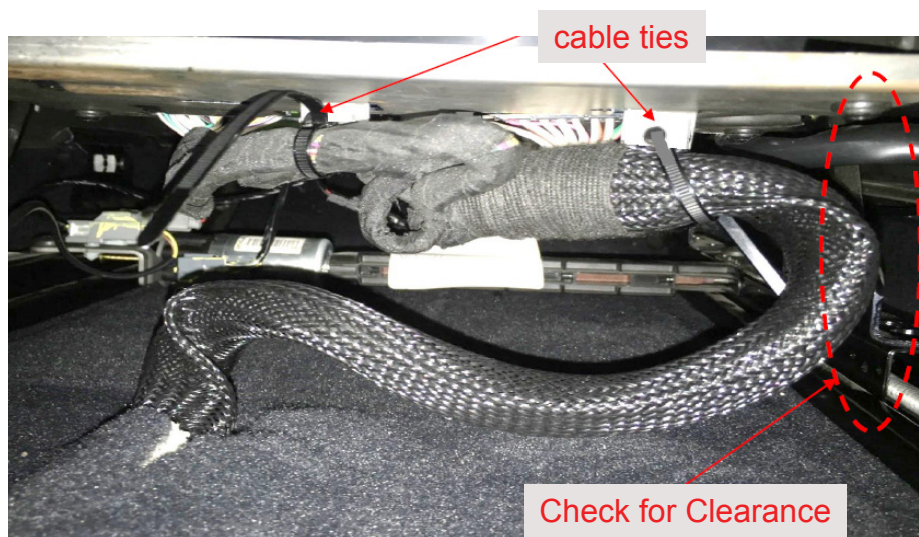


fig. 1d

Karma Automotive Bulletins and service documents are intended for use by experienced and trained Technicians. If you lack the skills, tools, equipment and a suitable workshop for any procedure described in this document, we suggest you leave such repairs to a Karma retailer and service provider. See your service provider for advice on whether your vehicle may benefit from the information contained within this document. The information contained in the Karma Bulletin is accurate at the date of publication. However, Karma Automotive regularly updates technical information. Please check with your Karma Automotive Retailer and Karma Automotive service provider that the bulletin you intend to use contains the latest available information.

MODEL: Karma Revero

DATE: July 2017

TITLE: Driver seat harness inspection

Revised February 2018

This is an image of a harness which is **NOT** installed correctly (fig. 2a) The cable tie through the connector for D1912_2 is not installed.

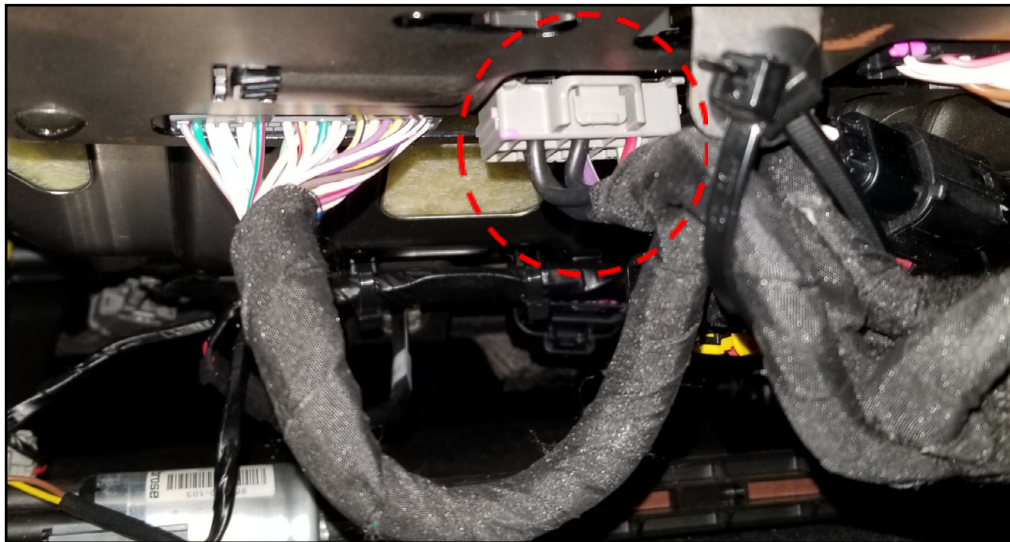


fig. 2a

Cable routing on the connector is indicated in the image (fig. 2b and 2c)

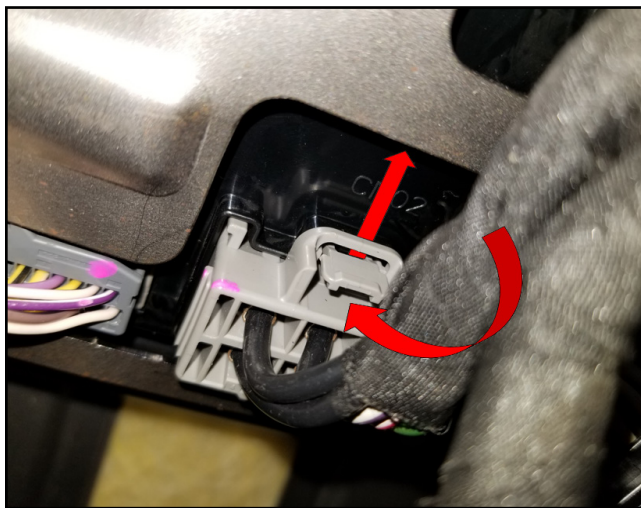


fig. 2b



fig. 2c

Karma Automotive Bulletins and service documents are intended for use by experienced and trained Technicians. If you lack the skills, tools, equipment and a suitable workshop for any procedure described in this document, we suggest you leave such repairs to a Karma retailer and service provider. See your service provider for advice on whether your vehicle may benefit from the information contained within this document. The information contained in the Karma Bulletin is accurate at the date of publication. However, Karma Automotive regularly updates technical information. Please check with your Karma Automotive Retailer and Karma Automotive service provider that the bulletin you intend to use contains the latest available information.

MODEL: Karma Revero

DATE: July 2017

Revised February 2018

TITLE: Driver seat harness inspection

To secure the harness and properly install the cable ties, proceed to secure as described here. Standard six inch cable ties will be required to complete this action.

2. Disconnect and route the harness as shown with the Driver seat tilted backwards.

-Secure the connector as indicated in fig 2b above.

-Insert one (1) cable tie (or "zip tie") through the outer seat frame tab (circled) and loosely secure it around the harness as shown (fig. 3)



fig. 3

3. Add a cable tie to the next seat tab (fig.4), loosely.

-Fold back the excess harness length (red circle) and secure it out of the way, as shown (fig. 5)

-Tighten the cable ties.

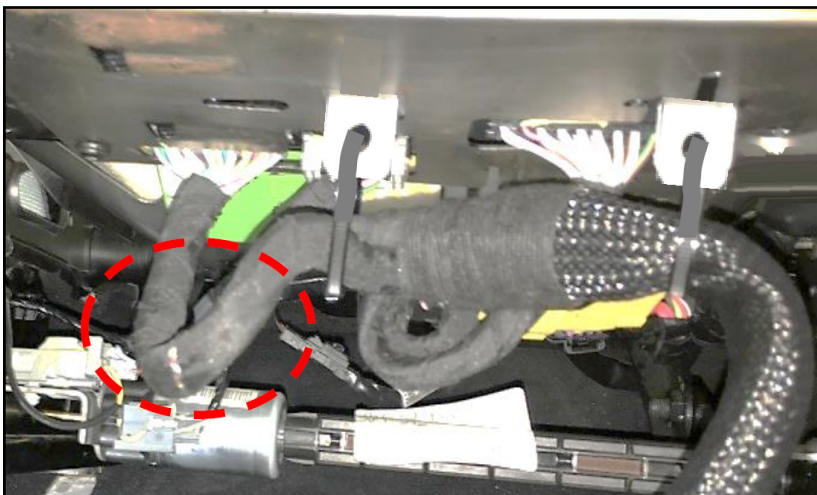


fig. 4

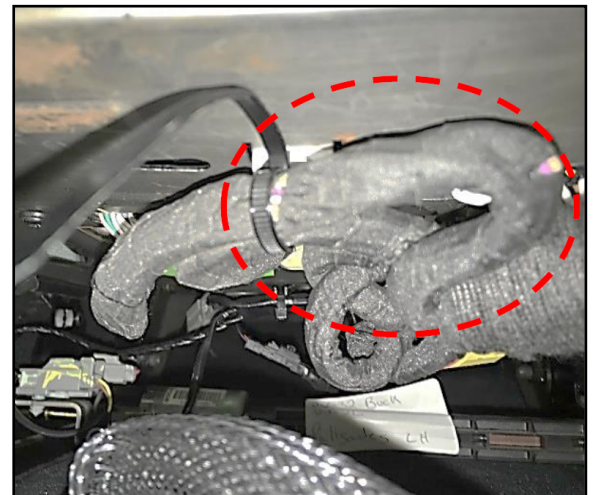


fig. 5

Karma Automotive Bulletins and service documents are intended for use by experienced and trained Technicians. If you lack the skills, tools, equipment and a suitable workshop for any procedure described in this document, we suggest you leave such repairs to a Karma retailer and service provider. See your service provider for advice on whether your vehicle may benefit from the information contained within this document. The information contained in the Karma Bulletin is accurate at the date of publication. However, Karma Automotive regularly updates technical information. Please check with your Karma Automotive Retailer and Karma Automotive service provider that the bulletin you intend to use contains the latest available information.

MODEL: Karma Revero

DATE: July 2017

Revised February 2018

TITLE: Driver seat harness inspection

4. Check routing to ensure the bundle is not too close to the outer seat rail where it can get caught during movement of the seat. Tighten remaining cable tie and trim excess cable tie material.- When harness is positioned correctly, attach one additional cable tie to each seat frame tab and secure to harness for extra support. Trim and discard extra cable tie material. (fig.6)

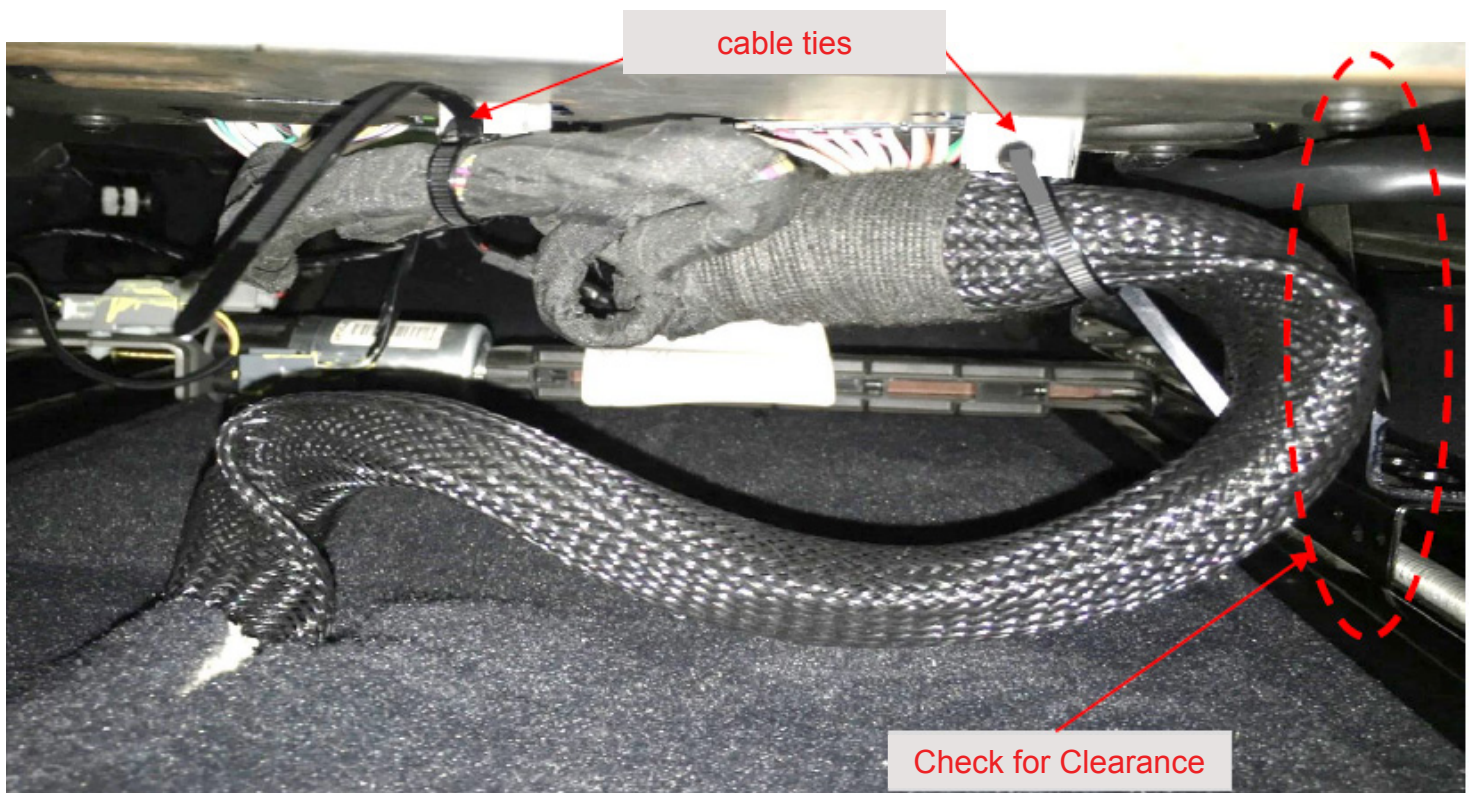


fig. 6

5. When the inspection is complete and any harness securing has been completed, perform the seat calibration procedure using Karma Sync.

6. Verify repair, check for any DTC's present using Karma Sync, clear DTC's.

Karma Automotive Bulletins and service documents are intended for use by experienced and trained Technicians. If you lack the skills, tools, equipment and a suitable workshop for any procedure described in this document, we suggest you leave such repairs to a Karma retailer and service provider. See your service provider for advice on whether your vehicle may benefit from the information contained within this document. The information contained in the Karma Bulletin is accurate at the date of publication. However, Karma Automotive regularly updates technical information. Please check with your Karma Automotive Retailer and Karma Automotive service provider that the bulletin you intend to use contains the latest available information.



Service Campaign

CC-17-86-09

MODEL: Karma Revero

DATE: July 2017

TITLE: Driver seat harness inspection

Revised February 2018

PARTS REQUIRED:

PART NUMBER	DESCRIPTION
N/A	N/A

SHOP SUPPLIES:

DESCRIPTION
N/A

SPECIAL TOOLS:

DESCRIPTION
N/A

CAUSAL PART:

PART NUMBER	DESCRIPTION
C131190500105	Harness - Body

LABOR CODES:

CODE	DESCRIPTION	TIME	DEFECT CODE
86-10-10-05	Seat Harness Inspection	0.5	86-10-10-64

SUBLET:

CODE	DESCRIPTION	AMOUNT
N/A		

WARRANTY DISPOSITION: This repair is covered under the New Vehicle Limited Warranty, in effect for five (5) years from the in-service date with no mileage limitation.

Karma Automotive Bulletins and service documents are intended for use by experienced and trained Technicians. If you lack the skills, tools, equipment and a suitable workshop for any procedure described in this document, we suggest you leave such repairs to a Karma retailer and service provider. See your service provider for advice on whether your vehicle may benefit from the information contained within this document. The information contained in the Karma Bulletin is accurate at the date of publication. However, Karma Automotive regularly updates technical information. Please check with your Karma Automotive Retailer and Karma Automotive service provider that the bulletin you intend to use contains the latest available information.