

LTB01142NAS1



TECHNICAL BULLETIN

03 JAN 2018

© Jaguar Land Rover North America, LLC

NOTE: The information in Technical Bulletins is intended for use by trained, professional Technicians with the knowledge, tools, and equipment required to do the job properly and safely. It informs these Technicians of conditions that may occur on some vehicles, or provides information that could assist in proper vehicle service. The procedures should not be performed by 'do-it-yourselfers'. If you are not a Retailer, do not assume that a condition described affects your vehicle. Contact an authorized Land Rover service facility to determine whether this bulletin applies to a specific vehicle.

INFORMATION

SECTION:

501-11: Glass, Frames and Mechanisms

SUBJECT/CONCERN:

Rear Door Windows Do Not Close

AFFECTED VEHICLE RANGE:

MODEL:	MODEL YEAR:	VIN:	ASSEMBLY PLANT:	APPLICABILITY:

MODEL:	MODEL YEAR:	VIN:	ASSEMBLY PLANT:	APPLICABILITY:
Range Rover Evoque (LV)	2012-2015	600018-999999	Halewood	5-Door
Range Rover Evoque (LV)	2015 Onwards	000051 Onwards	Halewood	5-Door

MARKETS:

NORTH AMERICA

CONDITION SUMMARY:

SITUATION:

The rear left and/or right door window(s) may not close and/or the window(s) appear to be dislodged/jammed.

CAUSE:

This may be caused by the rear left and/or right door window seals not being seated correctly during manufacture.

ACTION:

Should a customer express this concern, follow the Workshop Procedure below.

PARTS:

PART NUMBER	DESCRIPTION	QUANTITY
LR044885	Clip	2
LR013135	Clip	18

TOOLS:

Refer to Workshop Manual for any required special tools.

WARRANTY:**NOTES:**

- Repair procedures are under constant review, and therefore times are subject to change; those quoted here must be taken as guidance only. Always refer to JLR claims submission system to obtain the latest repair time.
- The JLR Claims Submission System requires the use of causal part numbers. Labor only claims must show the causal part number with a quantity of zero.

DESCRIPTION	SRO	TIME (HOURS)	CONDITION CODE	CAUSAL PART
Rear door window - Seal - Re-installation	76.31.89.58	0.8	07	LR052651

NOTE:

Normal Warranty procedures apply.

WORKSHOP PROCEDURE:**NOTES:**

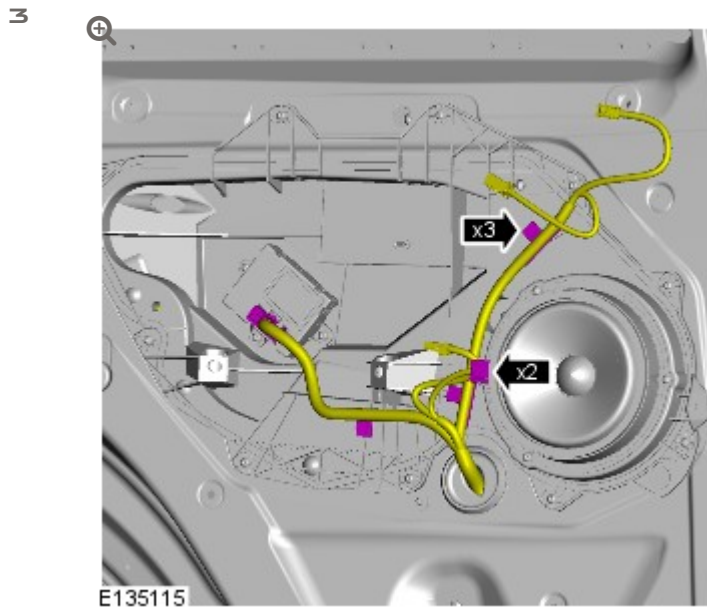
- Rear left door/window shown; rear right door/window similar.
- Some illustrations show parts removed for clarity.

1 Raise the affected rear left door window.

1 Manually assist the door window 'up' if necessary.

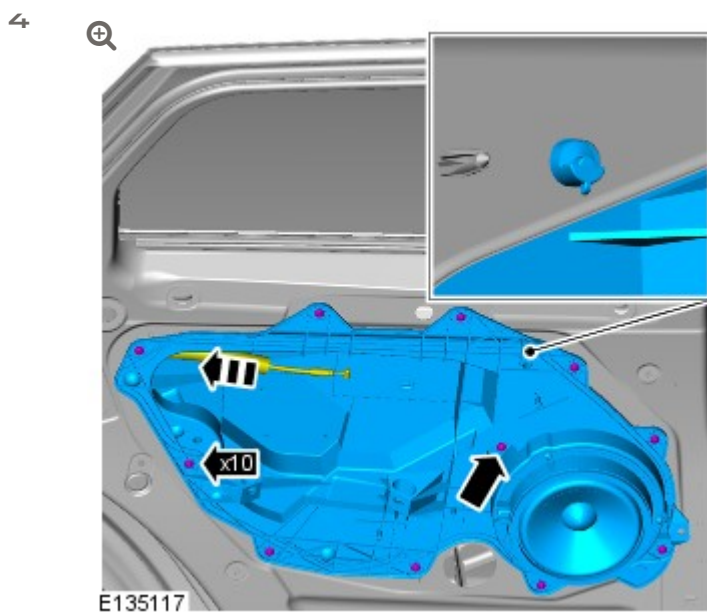
2

Remove the rear left door trim panel (see TOPIx Workshop Manual section 501-05: Removal and installation - Rear Door Trim Panel).



Release and position the rear left door wiring to the side.

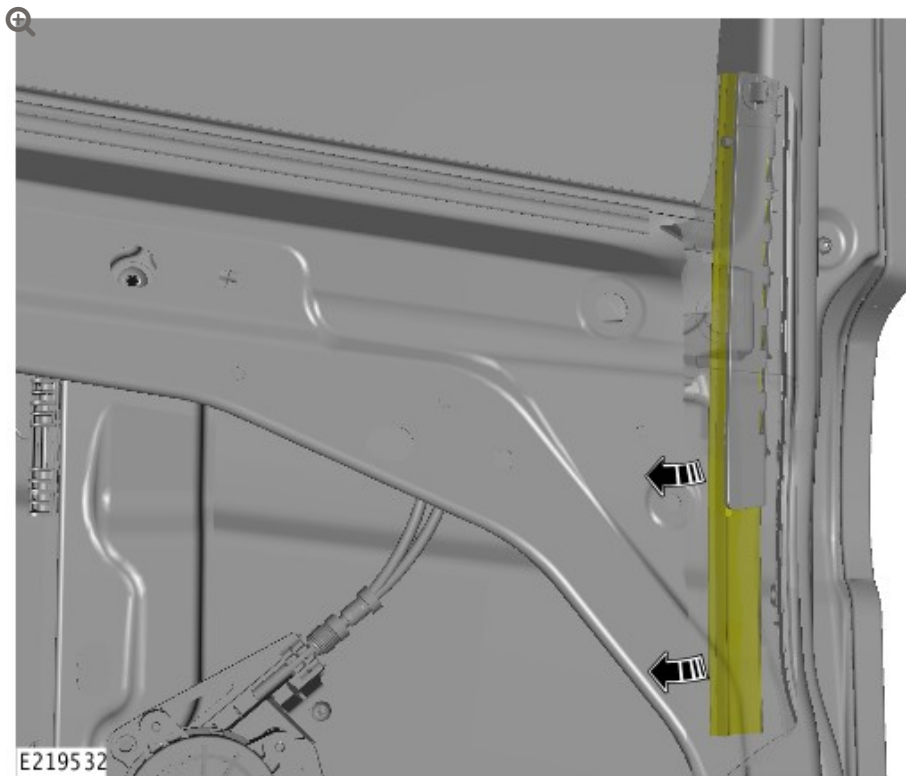
- 1 Disconnect the 2 electrical connectors.
- 2 Release the 3 wiring harness clips and position the harness to the side.



Remove the rear left door closing panel.

- 1 Remove the 10 retaining fasteners.
- 2 Release the rear left door interior handle cable.
- 3 Remove the closing panel.

5

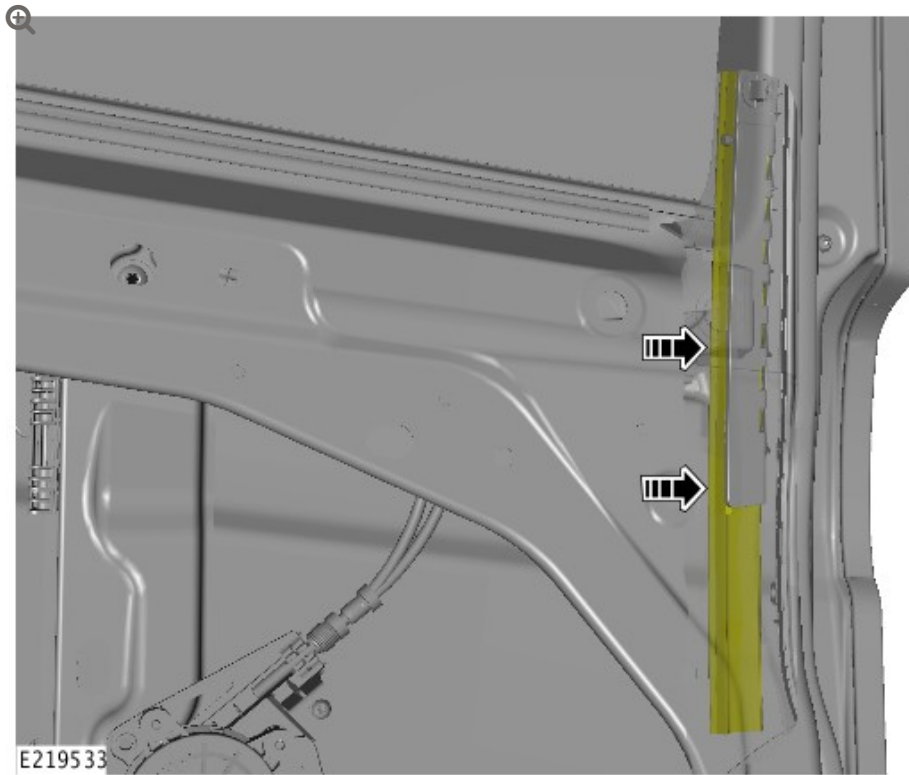


Release the rear left door window seal from the channel.

6

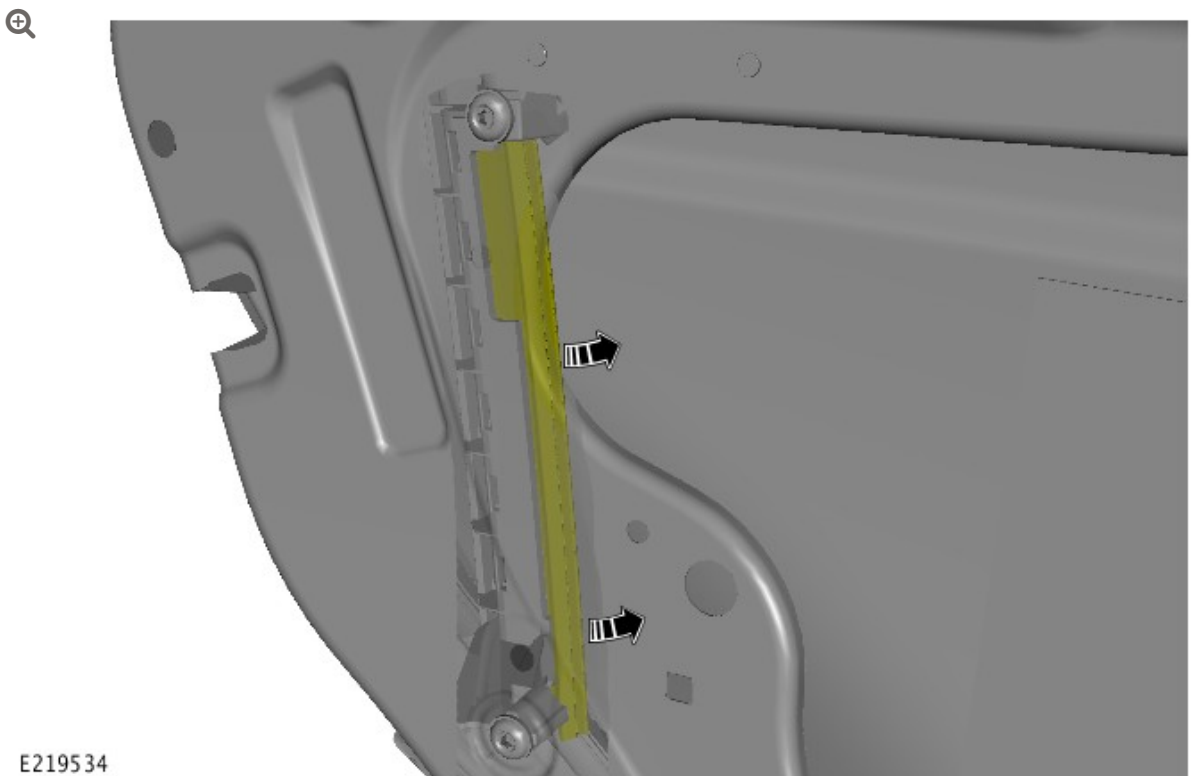
NOTE:

Make sure the seal is fully installed to the channel.



Install the rear left door window seal into the channel.

7

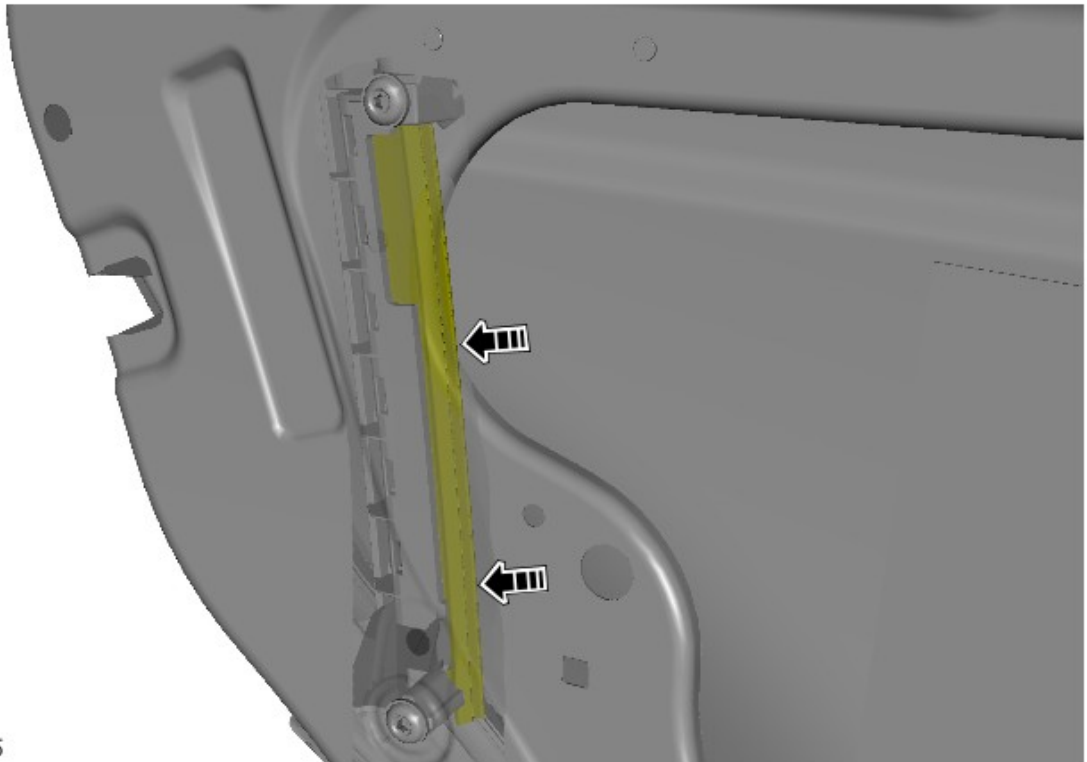


Release the rear left door window seal from the channel.

8

NOTE:

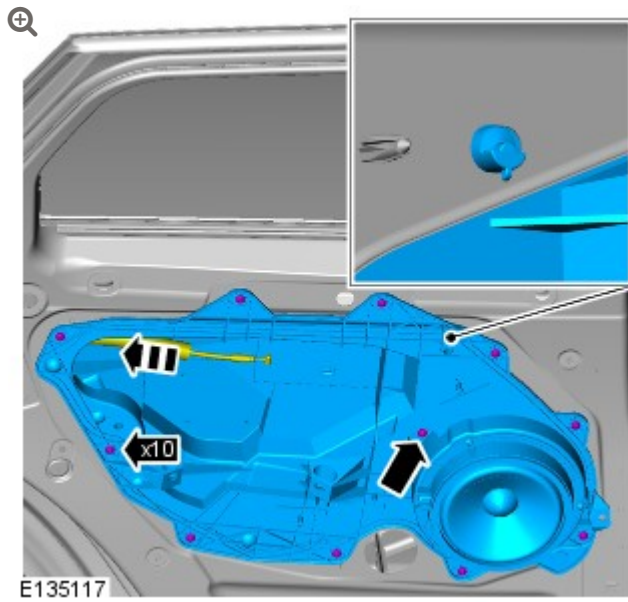
Make sure the seal is fully installed to the channel.



E219535

Install the rear left door window seal into the channel.

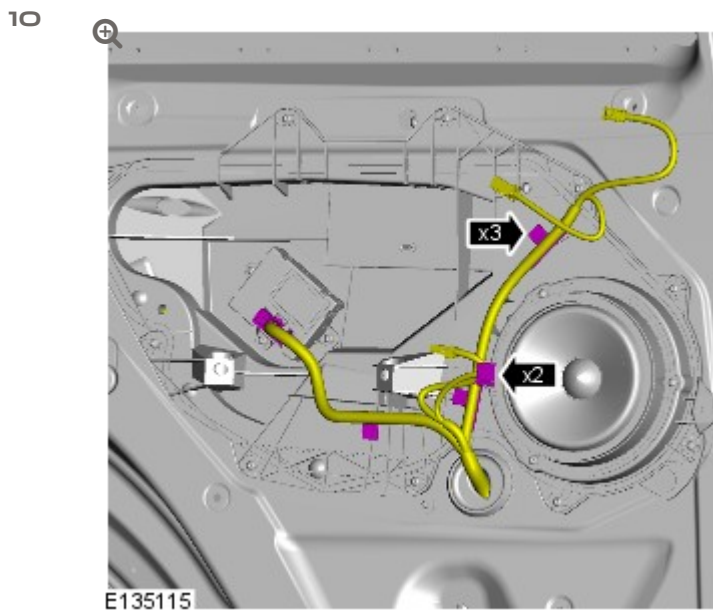
9



Install the rear left door closing panel.

- 1 Install the closing panel.
- 2 Install the rear left door interior handle cable.
- 3 Install the 10 retaining fasteners.

▪ Torque: **1.7 Nm**



Position the rear left door wiring into place.

- 1 Install the 3 wiring harness clips.
- 2 Connect the 2 electrical connectors.

11 Install the rear left door trim panel (see TOPIx Workshop Manual section 501-05: Removal and installation - Rear Door Trim Panel).

12 Repeat steps 1-11 for the rear right door window.

13 Lower and raise the rear left and right door windows 5 times to check correct function of the rear left door windows.

14 Initialize the rear left and right door windows (see TOPIx Workshop Manual section 501-11: General Procedures - Door Window Motor Initialization).