

February 22, 2018

Version 1

Capless Fuel Shutter Set (Mis-Fuel Inhibit Device) Is Frozen

AFFECTED VEHICLES

Year	Model	Trim	VIN Range
2016-17	Civic	4-door	ALL

SYMPTOM

The customer is unable to insert the fuel nozzle into the filler neck and fuel the vehicle in cold weather.

PROBABLE CAUSE

Water or moisture has entered the fueling area and frozen the capless fuel shutter set in the fuel filler neck.

CORRECTIVE ACTION

Replace the capless fuel shutter set. Install the fuel filler lid cover and apply the fuel lid label (if applicable).

WARRANTY CLAIM INFORMATION

The normal warranty applies.

Operation Number	Description	Flat Rate Time	Defect Code	Symptom Code	Template ID	Failed Part Number
3101U2	Replace the capless fuel shutter set. Install the fuel lid cover only.	0.7 hr	03214	03217	A18012A	17060-TBA-L01
3101U2	Replace the capless fuel shutter set. Install the fuel lid cover and the fuel lid label.	0.7 hr	03214	03217	A18012B	17060-TBA-L01

Skill Level: Repair Technician

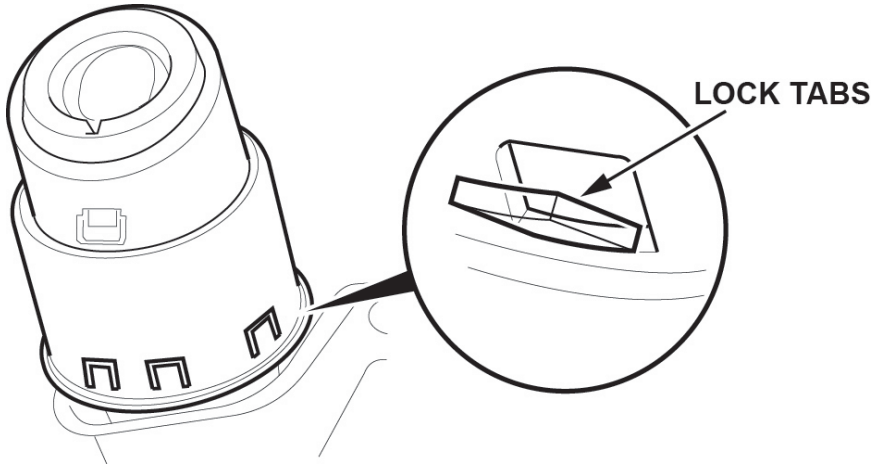
CUSTOMER INFORMATION:The information in this bulletin is intended for use only by skilled technicians who have the proper tools, equipment, and training to correctly and safely maintain your vehicle. These procedures should not be attempted by "do-it-yourselfers," and you should not assume this bulletin applies to your vehicle, or that your vehicle has the condition described. To determine whether this information applies, contact an authorized Honda automobile dealer.

PARTS INFORMATION

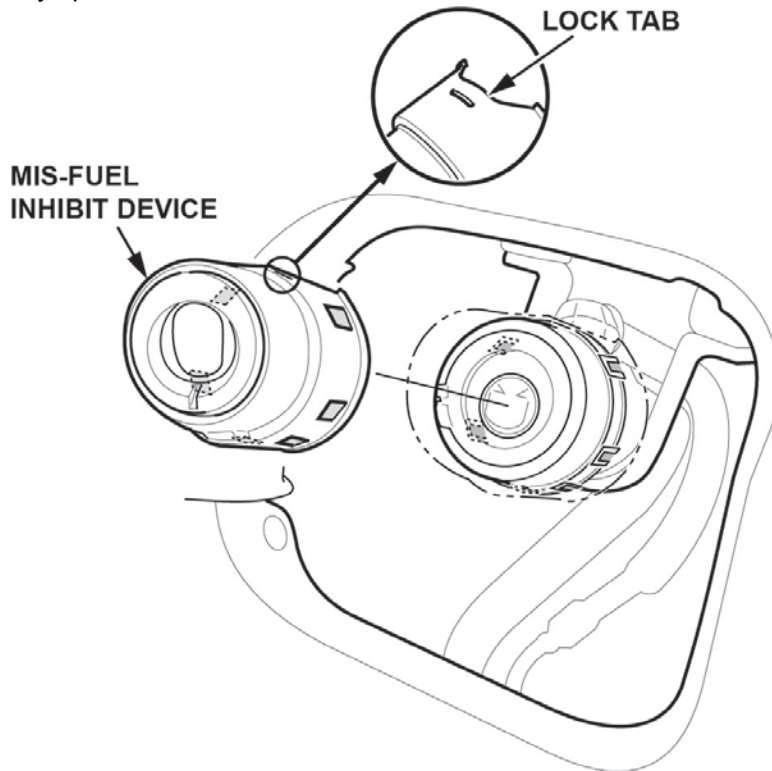
Part Name	Part Number	Quantity
Fuel Filler Caution Label (Si models only)	17669-R9S-A10	1
Fuel Filler Lid Cover	17666-TBA-A01	1
Capless Shutter Set (Mis-Fuel Inhibit Device)	17671-TBA-A02	1

REPAIR PROCEDURE

1. Remove the mis-fuel inhibit device by breaking the 6 lock tabs.



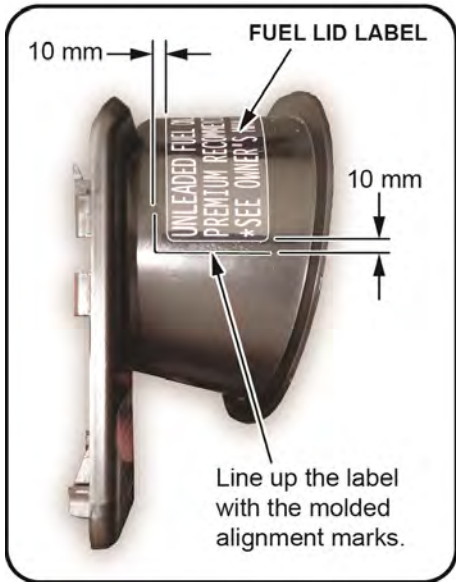
2. Pry up the lock tab and remove the mis-fuel inhibit device.



3. Install the new mis-fuel inhibit device.
4. **On Si models only:** Apply the fuel lid label to the new fuel lid cover as shown.

NOTE

Make sure the new fuel lid cover is clean and grease-free, especially on the surface where the label will be applied.



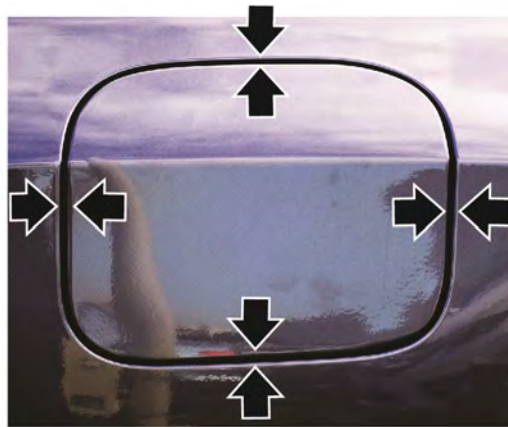
5. Align the hooks on the top edge of the fuel lid cover to the fuel door.



6. Press the bottom of the fuel lid cover to the fuel door until both locking tabs click. This indicates the fuel lid cover is securely and correctly installed.



7. Make sure the fuel door closes and latches without contact or interference from the mis-fuel inhibit device and surrounding area. The gap between the door and the surrounding quarter panel should remain consistent.



8. Make sure the fuel door release works correctly when using the driver's door switch.

END