

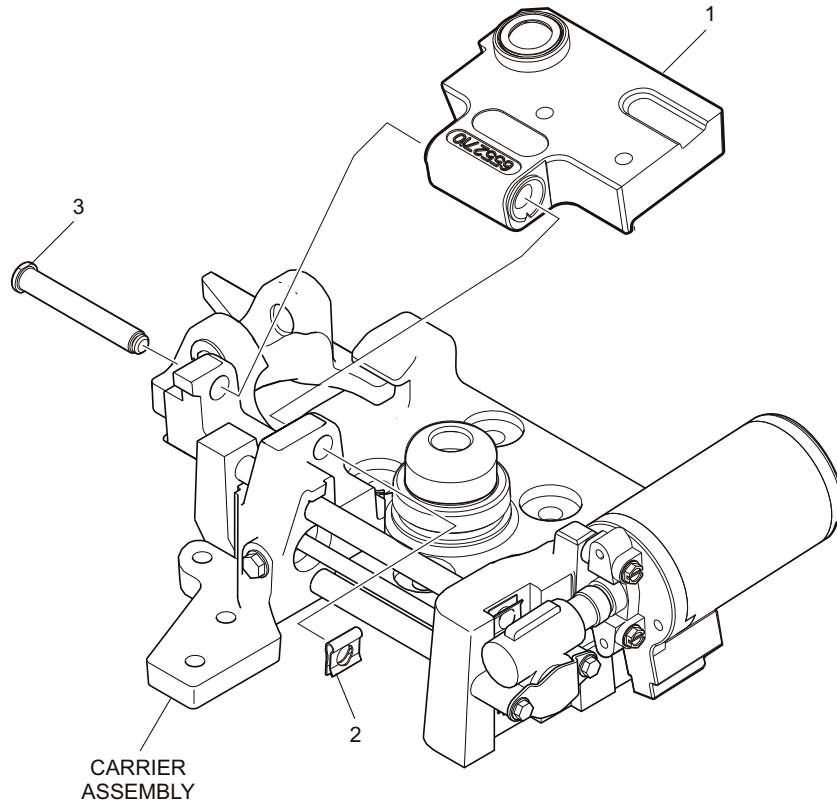
# PARTS MANUAL BULLETIN

This Parts Manual Bulletin is prepared by the Publications Department of New Flyer Industries Canada ULC. Refer to details below.

## PMB-049

ISSUE DATE: Jan 05 2018

APPLICABILITY					
VEHICLE LENGTH	<input type="checkbox"/> 30ft.	<input type="checkbox"/> 35ft.	<input type="checkbox"/> 40ft.	<input type="checkbox"/> 60ft.	<input checked="" type="checkbox"/> ALL
VEHICLE TYPE	<input checked="" type="checkbox"/> Xcelsior®	<input type="checkbox"/> MiDi®	<input type="checkbox"/> Invero®		<input type="checkbox"/> ALL
	<input checked="" type="checkbox"/> Low Floor	<input type="checkbox"/> High Floor			
FUEL TYPE	<input type="checkbox"/> Diesel	<input type="checkbox"/> Diesel/Electric	<input type="checkbox"/> CNG	<input type="checkbox"/> LNG	<input checked="" type="checkbox"/> ALL
	<input type="checkbox"/> Fuel Cell	<input type="checkbox"/> Trolley/Electric	<input type="checkbox"/> Battery/Electric		
SUBJECT	Moveable Arm Kit				
SECTION TITLE	19 - Driver's Controls				
DETAILS	<p>This Bulletin provides new part number information for the moveable arm kit for the brake and accelerator assembly installed on your New Flyer vehicle.</p> <p>The kit is applicable to the following brake and accelerator assemblies:</p> <p>276853 293388 314790 371378 373647 374690 377128 400091 406879 456440 550570 551852</p> <p>Refer to SMB-178 for procedure.</p> <p>Make this Parts Bulletin available to service personnel to inform them of changed information.</p>				



ITEM	QTY	PART NUMBER	DESCRIPTION
1	1	NSS	Arm, Moveable
2	1	6351580	Clip, Safety
3	1	6351584	Pin, Pivot
KIT	A/R	6472521	Moveable Arm Kit, Brake Treadle (Incl. 1-3)