



To All Authorized Lamborghini Dealers and Service Centers
Service Area Manager
From Customer Service Department
Subject Information Bulletin: fix air intake in Lamborghini Aventador.
Group BI.02.18
Date January, 12, 2018
Pages 3

Subject

Information Bulletin: fix air intake in Lamborghini Aventador.

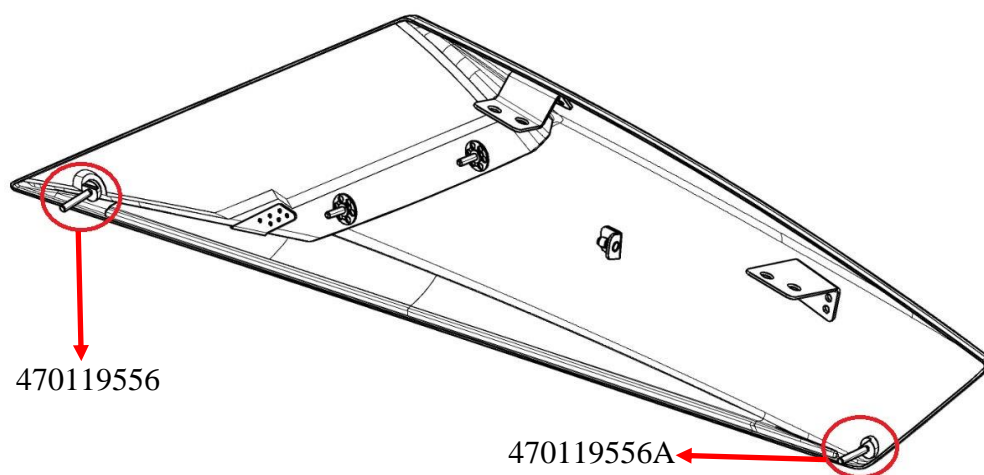
Model/VIN Range

Aventador

Information from the field

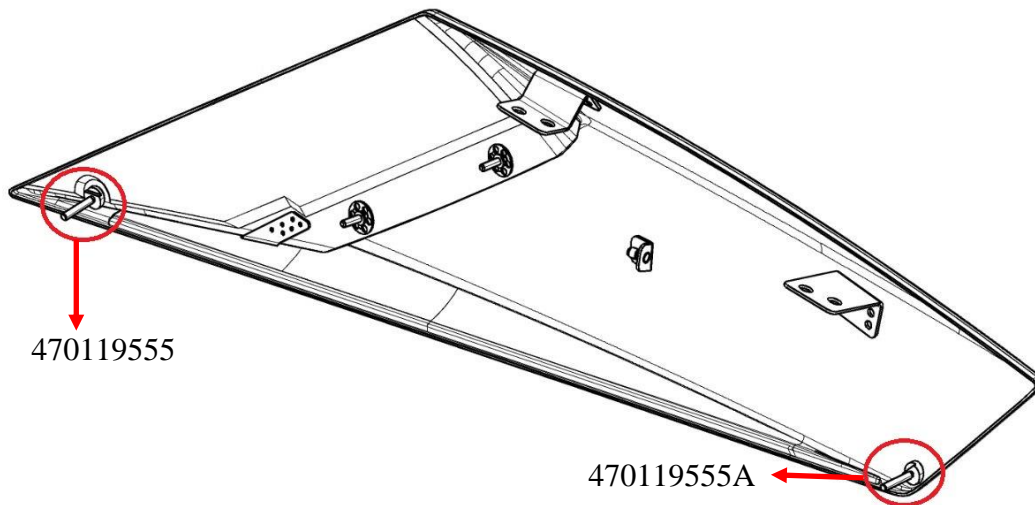
Lamborghini dealers are informed that in case of rupture of one or both the air intake deflector's PIN the replacement codes are:

- For right deflector (code 470119264*):





- For left deflector (code 470119263*):



Description of required procedures

We would also like to inform you that the phases of rework to replace a detached PIN are the following:

- Remove of the residues from the base of the PIN;
- Grind/sand with P120 the bonding surface;
- Degrease with Acetone;
- Replace the PIN with Pliogrip 7779-B (cod. 062870360); use the footprint of previous bonding as a reference;



NOTE

Respect the parallelism with the reference edge on PIN and the edge of the fix air intake (as shown in Figure 1).

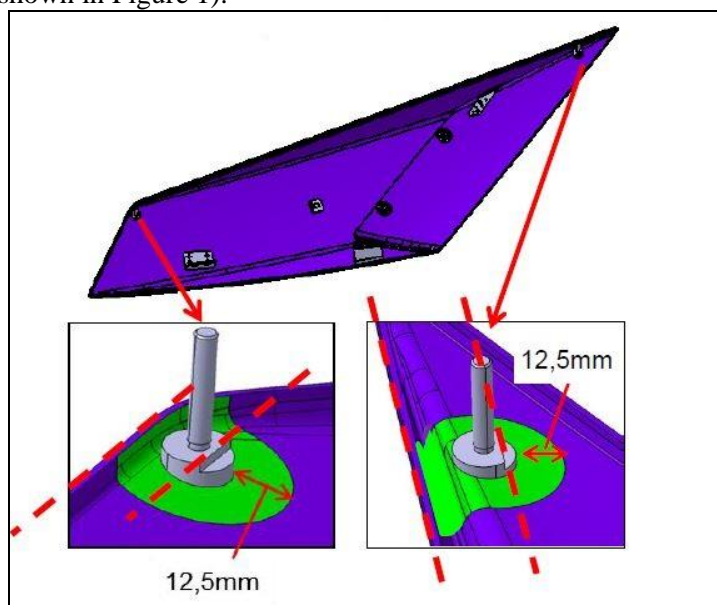


Figure 1

The procedures and information published herein are strictly confidential and are intended exclusively for recognized professionals and persons who are authorized to receive said information. All copyrights are the property of Automobili Lamborghini S.p.A. pursuant to copyright law. The company reserves the right to make updates and modifications as needed. The reprinting, reproduction, distribution to unauthorized persons and/or to third parties, and the partial or complete translation of the material contained herein are prohibited without the express written consent of Automobili Lamborghini S.p.A.



- Cover the PIN with Pliogrip 7779-B (cod. 062870360) and flare the resin (as shown in the Figure 2).



NOTE

Don't exceed the edge of the part.

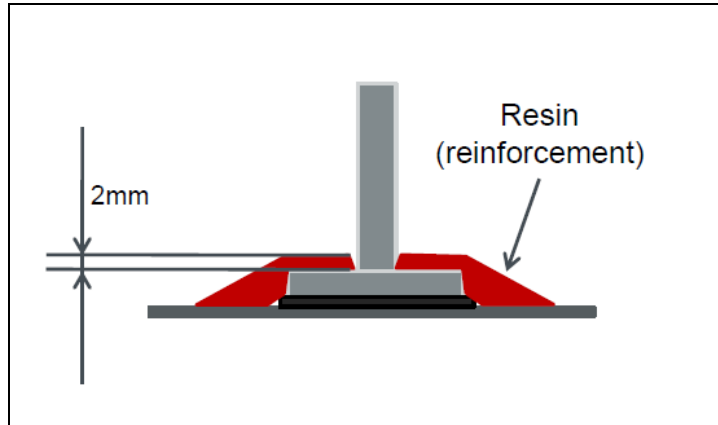


Figure 2

- Cure 4 h at room temperature.

For further information or if you have problems, please contact Technical Support.

Yours sincerely,

Customer Service



Rework of PINs of fix air intake

PSC CFK
REV00

Sant'Agata Bolognese 01/12/2018

Lamborghini Aventador

Fix air intake



Phases of rework to replace a detached PIN:

- 1) Remove all the residues from the base of the PIN;
- 2) Grind/sand with P120 the bonding surfaces (green areas in the picture on the left);
- 3) Degrease with Acetone;
- 4) Replace the PIN with Pliogrip 7779-B (cod. 062870360); use the footprint of previous bonding as a reference.
Note: respect the parallelism with the reference edge on PIN and the edge of the fix air intake as shown in the figure;
- 5) Cover the PIN with Pliogrip 7779-B (cod. 062870360) and flare the resin (as shown in the picture on the right).
Note: do not exceed the edge of the part.
- 6) Cure 4h at room temperature.

