

WH74 - Checking Gap Dimension of Rear Spoiler and Reworking if Necessary (Stop Sale/Workshop Campaign)

Model Line: **Panamera Sport Turismo (971)**

Model Year: **2018**

Subject: **Gap between rear spoiler and roof**

Information: **There is a possibility that the gap dimension from the rear spoiler to the roof does not comply with specifications on the affected vehicles.**

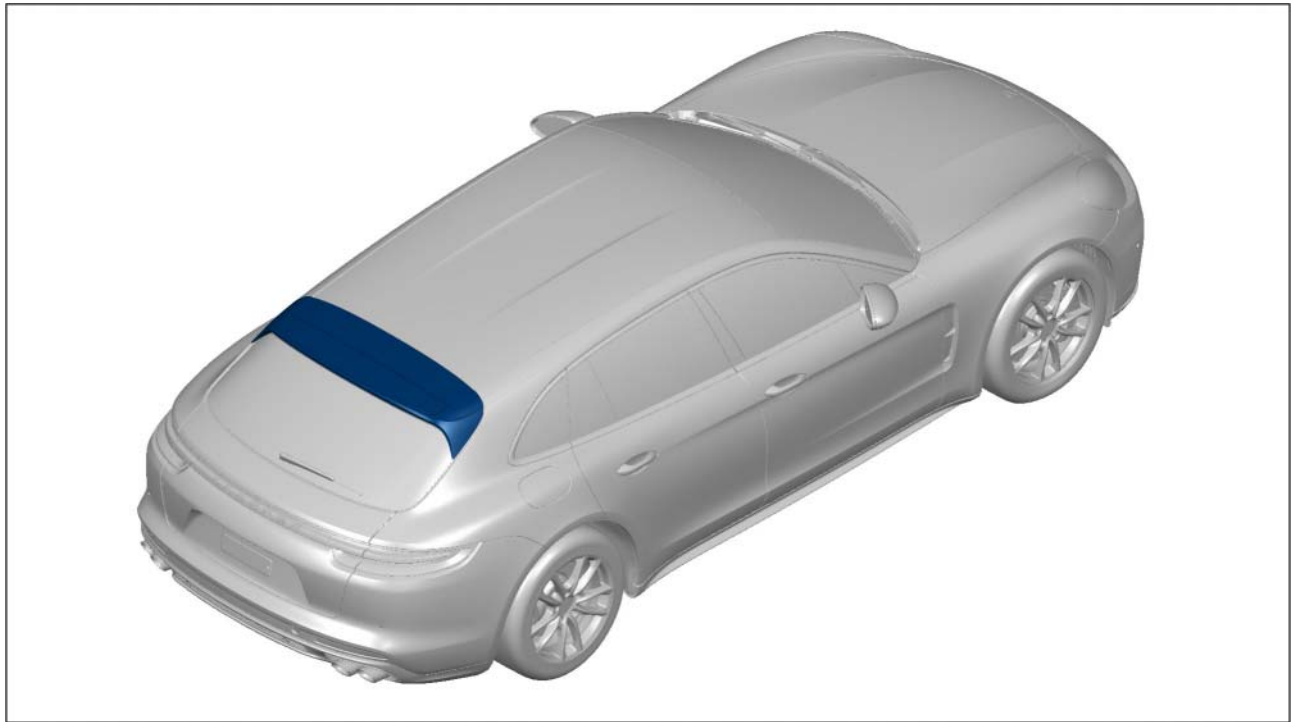
Customers may regard this as a visual defect.

Remedial action: Check gap dimension between rear spoiler and roof and rework if necessary, depending on the result of the check

Affected Vehicles: Only the vehicles assigned to the campaign (see also PIWIS Vehicle information). This campaign affects 266 vehicles in North America.

Required tools

- Tools:
- Star gauges, e.g. **VAS 6936 - Setting gauge, 4.5 — 6.5 (If dealer does not have, can purchase directly from Porsche Special Tools & Equipment Website)**
 - Feeler gauge (**Locally available**)
 - Caliper gauge (**Locally available**)
 - Multiple-tooth socket-wrench insert, a/f 10 (**Locally available — 12 point 10mm socket**)
 - Torque wrench, 2 – 10 Nm (1.5 – 7.5 ftlb.), e.g. **V.A.G 1783 - Torque wrench, 2-10 Nm (1.5-7.5 ftlb.)(Or locally available equivalent - If dealer does not have, can purchase directly from Porsche Special Tools & Equipment Website)**

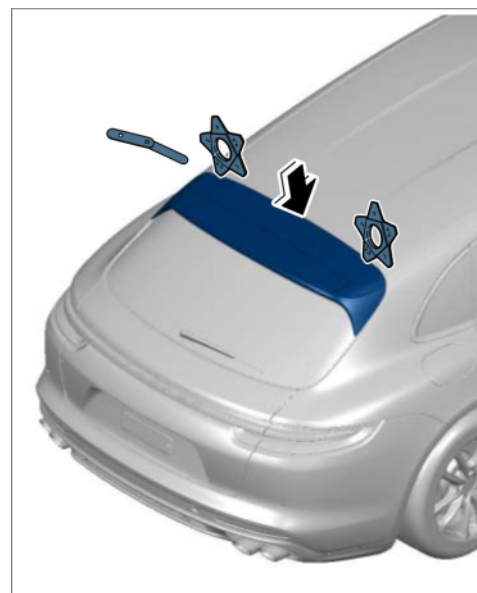
Checking gap dimension between rear spoiler and roof

Installation position of rear spoiler

**Information****General information on adjusting the rear spoiler**

- Check gap dimensions at an ambient temperature of at least 64° F (18° C) (max. 77° F/25° C) and make adjustments if necessary.
- Park the vehicle in the workshop area beforehand so that the vehicle is at ambient temperature.

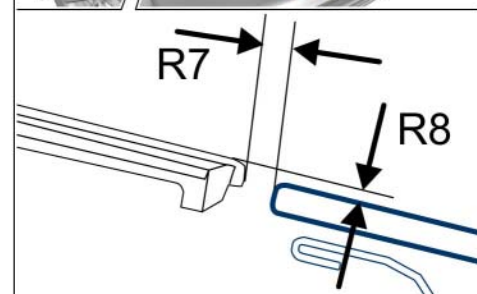
- 1 Check gap dimensions and joints between the rear spoiler and roof ⇒ *Checking gap dimensions -arrow-* using a star gauge and caliper gauge according to the joining plan with the rear lid closed.
Gap dimension: 4.8 mm (tolerance: max. 5.8 mm/min. 4.6 mm)
Offset: 2.0 mm (tolerance: max. 2.8 mm/min. 2.0 mm)



Checking gap dimensions

There must always be at least **4.6 mm** clearance along the entire length of the gap.

- The gap dimension R7 (**4.6 mm or higher**) and offset R8 (**between 2.0 mm and 2.8 mm**) is **correct. Continue with Step 2.**
- The gap dimension R7 (**less than 4.6 mm**) and offset R8 (**less than 2.0 mm**) is **not correct.** The rear spoiler must be adjusted according to the joining plan ⇒ *Technical Information 'WH7400 Adjusting gap dimension of rear spoiler'*.



Gap dimension of rear spoiler

- 2 Enter the campaign in the Warranty and Maintenance booklet.

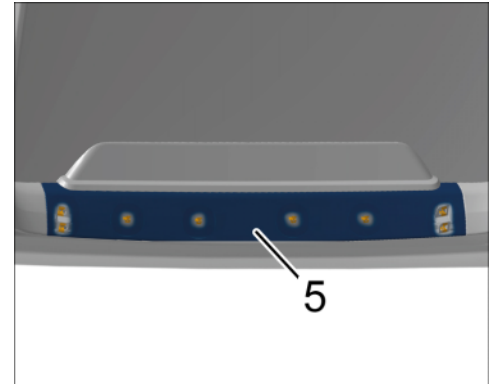
End of remedial action.

For warranty processing, see **Scope 1** under ⇒ *Technical Information 'WH7400 Warranty processing'*.

Adjusting gap dimension of rear spoiler

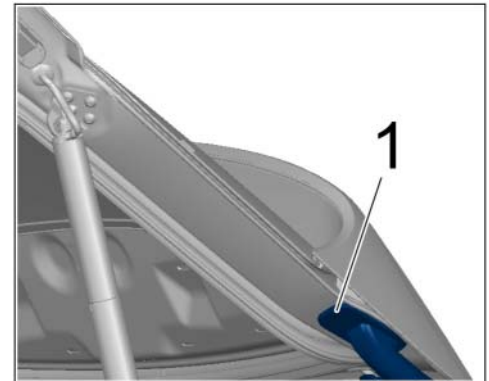
- 1 Carefully open the rear lid manually one step at a time to prevent damage to the vehicle.

- 2 Unclip trim panel for window frame at the center ⇒
Trim panel for window frame, center -5-.



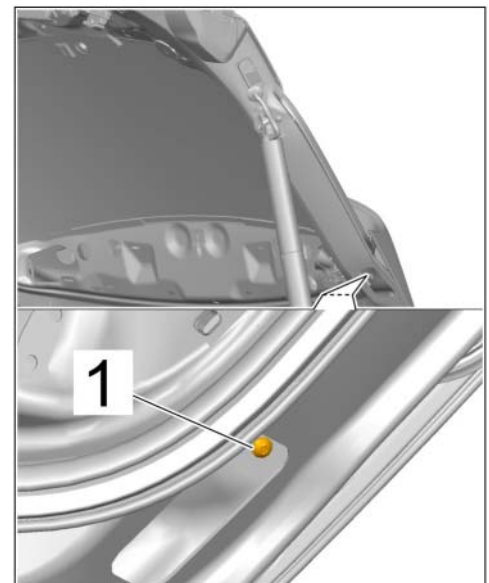
Trim panel for window frame, center

- 3 Loosen rubber sleeve ⇒ *Rubber sleeve -1-* at the left and right.



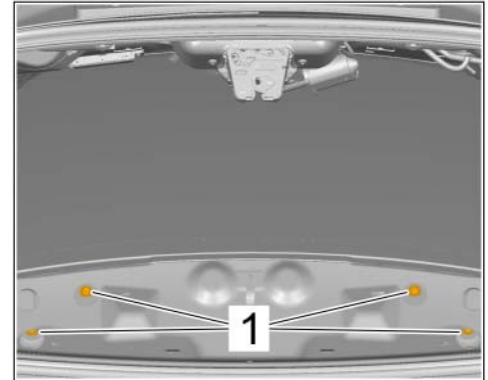
Rubber sleeve

- 4 Loosen fastening screws ⇒ *Fastening screw on rear spoiler -1-* at the outside by about 2 turns.



Fastening screw on rear spoiler

- 5 Loosen fastening screws ⇒ *Fastening screw on rear spoiler -1-* at the inside by about 2 turns.
- 6 Check whether the rear spoiler can be moved. If not, loosen all fastening screws again slightly.
- 7 Carefully close the rear lid manually.



Fastening screw on rear spoiler

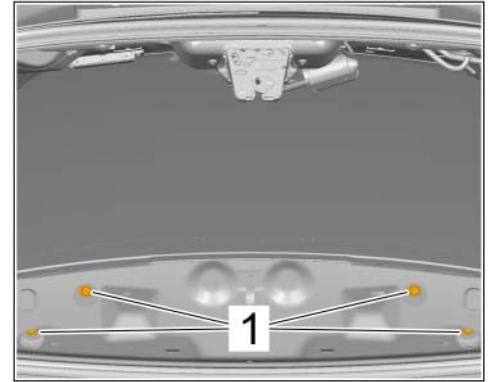
- 8 Position two star gauges (**5 mm**) at the outside between the rear spoiler and roof ⇒ *Checking gap dimensions -arrow-* and adjust the gap dimension.



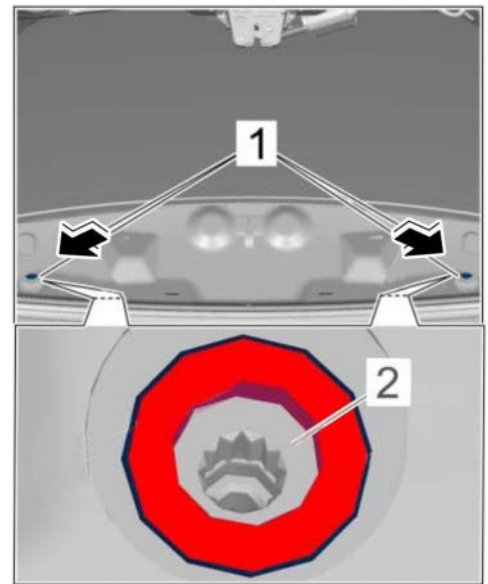
Checking gap dimensions

- 9 Tighten the four fastening screws \Rightarrow *Fastening screw on rear spoiler -1-* slightly with the help of another person through the passenger compartment.
- 10 Carefully open the rear lid manually and check the clearance.
 - The rear lid is not touching over the entire opening angle and the **clearance** of at least 4.6 mm incl. offset greater than 2.0 mm **is correct. Continue with Step 13.**
 - If, after adjusting the rear spoiler and checking the gap and offset dimensions, the **offset also needs to be adjusted, continue with Step 11.**
- 11 Unscrew fastening screw \Rightarrow *Adjusting element for rear spoiler -1-* at the outside at the adjusting element \Rightarrow *Adjusting element for rear spoiler -2-*.
- 12 Correct the offset by turning the adjusting elements \Rightarrow *Adjusting element for rear spoiler -2-* up or down and measure the offset again.

Offset: 2.0 mm (tolerance: max. 2.8 mm/min. 2.0 mm)
- 13 Tighten all threaded connections that were loosened during adjustment work to the prescribed tightening torque.



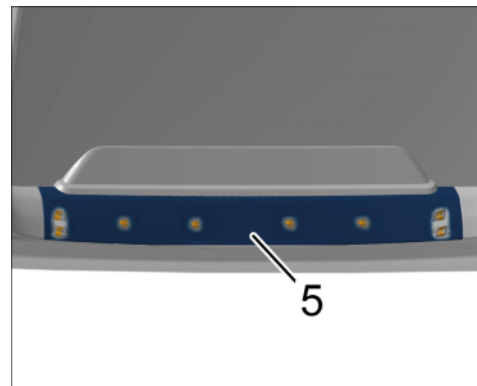
Fastening screw on rear spoiler



Adjusting element for rear spoiler

Location	Explanation	Type	Basic value	Tolerance 1	Tolerance 2
Fastening screws securing rear spoiler to rear lid		Tightening torque	8 Nm (6 ftlb.)		

- 14 Clip in trim panel for window frame at the center ⇒
Trim panel for window frame, center -5-.

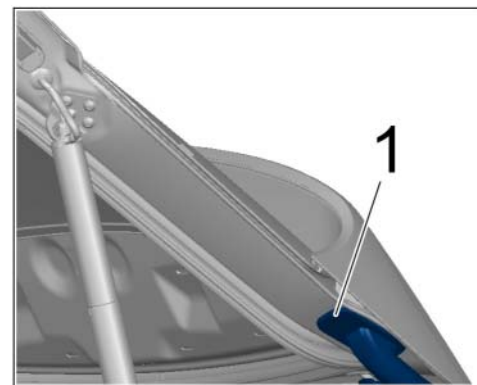


Trim panel for window frame, center

- 15 Secure rubber sleeve ⇒ *Rubber sleeve -1-* at the left and right.
- 16 Enter the campaign in the Warranty and Maintenance booklet.

End of remedial action.

For warranty processing, see **Scope 2** under ⇒ *Technical Information 'WH7400 Warranty processing'*.



Rubber sleeve

Warranty processing

Scope 1: **Checking gap dimension between rear spoiler and roof – no adjustment required.**

Working time:	
Checking gap dimension between rear spoiler and roof	Labor time: 42 TU
⇒ Damage Code WH74 066 000 1	

Scope 2: **Checking and adjusting gap dimension between rear spoiler and roof.**

Working time:

Checking and adjusting gap dimension between rear spoiler and roof

Labor time: **92 TU**

Includes: Removing and installing trim panel for window frame at the
center
Adjusting rear spoiler

⇒ **Damage Code WH74 066 000 1**

Important Notice: Technical Bulletins issued by Porsche Cars North America, Inc. are intended only for use by professional automotive technicians who have attended Porsche service training courses. They are written to inform those technicians of conditions that may occur on some Porsche vehicles, or to provide information that could assist in the proper servicing of a vehicle. Porsche special tools may be necessary in order to perform certain operations identified in these bulletins. Use of tools and procedures other than those Porsche recommends in these bulletins may be detrimental to the safe operation of your vehicle, and may endanger the people working on it. Properly trained Porsche technicians have the equipment, tools, safety instructions, and know-how to do the job properly and safely. Part numbers listed in these bulletins are for reference only. The work procedures updated electronically in the Porsche PIWIS diagnostic and testing device take precedence and, in the event of a discrepancy, the work procedures in the PIWIS Tester are the ones that must be followed.

© 2018 Porsche Cars North America, Inc.