



NUMBER: 08-108-17

GROUP: 08 - Electrical

DATE: November 4, 2017

This bulletin is supplied as technical information only and is not an authorization for repair. No part of this publication may be reproduced, stored in a retrieval system, or transmitted, in any form or by any means, electronic, mechanical, photocopying, or otherwise, without written permission of FCA US LLC.

THIS SERVICE BULLETIN IS ALSO BEING RELEASED AS RAPID RESPONSE TRANSMITTAL (RRT) 17-103. ALL APPLICABLE SOLD AND UN-SOLD RRT VIN's HAVE BEEN LOADED. TO VERIFY THAT THIS RRT SERVICE ACTION IS APPLICABLE TO THE VEHICLE, USE VIP OR PERFORM A VIN SEARCH IN TECHCONNECT. ALL REPAIRS ARE REIMBURSABLE WITHIN THE PROVISIONS OF WARRANTY.

SUBJECT:

Windshield Washer Pump Leaking

OVERVIEW:

This bulletin involves replacing the windshield washer pump due to a leak.

MODELS:

2017 (B1) Jeep Renegade

NOTE: This bulletin applies to vehicles within the following markets/countries: LATAM.

NOTE: This bulletin applies to vehicles built on or after May 30, 2017 (MDH 0530XX) and on or before July 14, 2017 (MDH 0714XX).

SYMPTOM/CONDITION:

Some customers may describe that their is washer fluid leaking from the reservoir in the front of the vehicle.

DIAGNOSIS:

1. Is washer fluid leaking from the reservoir?
 - YES>>> Proceed to [Step 1](#).
 - NO>>> This bulletin has been completed, use inspect LOP (23-43-25-91) to close the active RRT.

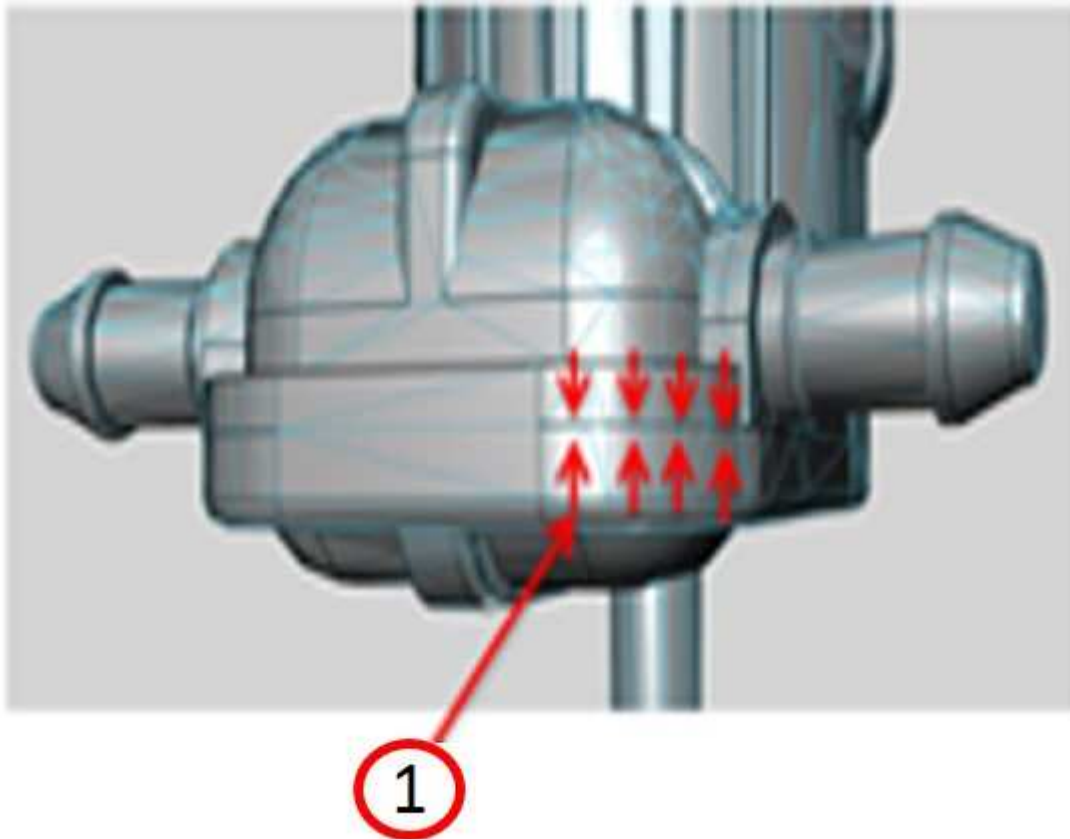


Fig. 1
Potential Leak Area on Pump

1 - Leakage Area

If a customer's VIN is listed in VIP or your RRT VIN list, perform the repair. If any vehicle not on the VIN list exhibits the symptom/condition, perform the repair.

PARTS REQUIRED:

Qty.	Part No.	Description
1	68095288AA (Mopar) 71740942 (LATAM)	Pump, Windshield Washer
1	68415453AA (Mopar) 7082455 (LATAM)	Fluid, Washer Half Liter

REPAIR PROCEDURE:

1. Replace the windshield washer pump. Refer to the detailed service procedures available in DealerCONNECT> TechCONNECT under: Service Info>08 - Electrical/8R - Wipers/Washers/PUMP, Windshield Washer/Removal and Installation.
2. Verify no leaks by adding a half liter of windshield washer fluid and fill full with water to the reservoir tank.

POLICY:

Reimbursable within the provisions of the warranty.

TIME ALLOWANCE:

Labor Operation No:	Description	Skill Category	Amount
23-43-25-91	Pump, Windshield Washer - Inspect (0 - Introduction)	6 - Electrical And Body Systems	0.2 Hrs.
23-43-25-92	Pump, Windshield Washer - Replace (0 - Introduction)	6 - Electrical And Body Systems	0.5 Hrs.

FAILURE CODE:

ZZ	Service Action
----	----------------