

LTB01112NAS1



# TECHNICAL BULLETIN

07 NOV 2017

© Jaguar Land Rover North America, LLC

NOTE: The information in Technical Bulletins is intended for use by trained, professional Technicians with the knowledge, tools, and equipment required to do the job properly and safely. It informs these Technicians of conditions that may occur on some vehicles, or provides information that could assist in proper vehicle service. The procedures should not be performed by 'do-it-yourselfers'. If you are not a Retailer, do not assume that a condition described affects your vehicle. Contact an authorized Land Rover service facility to determine whether this bulletin applies to a specific vehicle.

## INFORMATION

---

### SECTION:

501-19: Bumpers

### SUBJECT/CONCERN:

Hands-Free Tailgate - Unintentional Opening

### AFFECTED VEHICLE RANGE:

MODEL:	MODEL YEAR:	VIN:	ASSEMBLY PLANT:

MODEL:	MODEL YEAR:	VIN:	ASSEMBLY PLANT:
Range Rover Evoque (LV)	2016 Onwards	048210 Onwards	Halewood

---

## MARKETS:

NORTH AMERICA

---

## CONDITION SUMMARY:

### NOTE:

Hands-free Tailgate may also be referred to as Powered Gesture Tailgate.

### SITUATION:

The hands-free tailgate may unintentionally open during or after periods of rain (or similar occasions where water has been applied to the rear of the vehicle) when the Smart Key is within 1.2m of the tailgate.

### CAUSE:

This may be caused by water ingress around the rear fog lamp unit causing the hands-free tailgate to unintentionally open when the Smart Key is within 1.2m of the tailgate.

### ACTION:

Should a customer express concern, refer to the Service Information and then follow the Workshop Procedure below.

---

## PARTS:

### NOTE:

\* - an allowance (\$37.50 USD or local equivalent) has been provided to cover the cost of the Teroson® MS939, Loctite 5512™, or equivalent silane modified polymer sealant. One (1) tube sufficient to repair 50 vehicles. Claim using Sundry Code 'ZZZ001'.

DESCRIPTION	QUANTITY
Sealant	*ZZZ001

## TOOLS:

Refer to Workshop Manual for any required special tools.

## WARRANTY:

### NOTE:

\* - an allowance (\$37.50 USD or local equivalent) has been provided to cover the cost of the Teroson® MS939, Loctite 5512™, or equivalent silane modified polymer sealant. One (1) tube sufficient to repair 50 vehicles. Claim using Sundry Code 'ZZZ001'.

### NOTES:

- Repair procedures are under constant review, and therefore times are subject to change; those quoted here must be taken as guidance only. Always refer to JLR claims submission system to obtain the latest repair time.
- The JLR Claims Submission System requires the use of causal part numbers. Labor only claims must show the causal part number with a quantity of zero.

DESCRIPTION	SRO	TIME (HOURS)	CONDITION CODE	CAUSAL PART
Rear fog lamp - Modification	75.10.89.61	1.1	D1	LR088531/LR088532

**NOTE:**

Normal Warranty procedures apply.

**SERVICE INFORMATION:**

- 
- Unintentional opening: in exceptional circumstances and if the Smart Key is within 1.2 m of the tailgate, the hands-free tailgate may open unintentionally due to the following:
    - Car washing or high pressure cleaning.
    - Moving objects beneath the rear bumper sensors
    - While changing a rear road wheel.
    - While fitting snow chains to the rear road wheels.

**WORKSHOP PROCEDURE:**

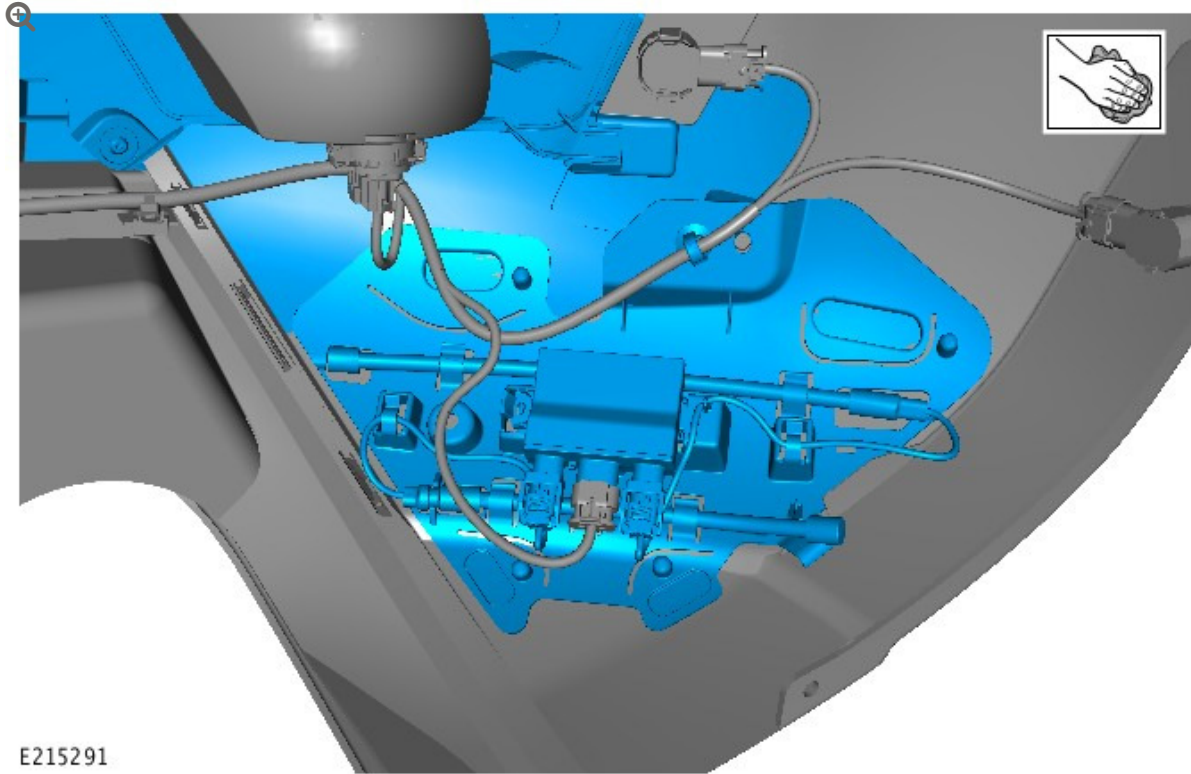
- 
- 1 Remove the rear bumper assembly (see TOPIx Workshop Manual section 501-19: Bumpers - Removal and Installation - Rear Bumper Cover).

**NOTE:**

Left-side shown; right-side similar.

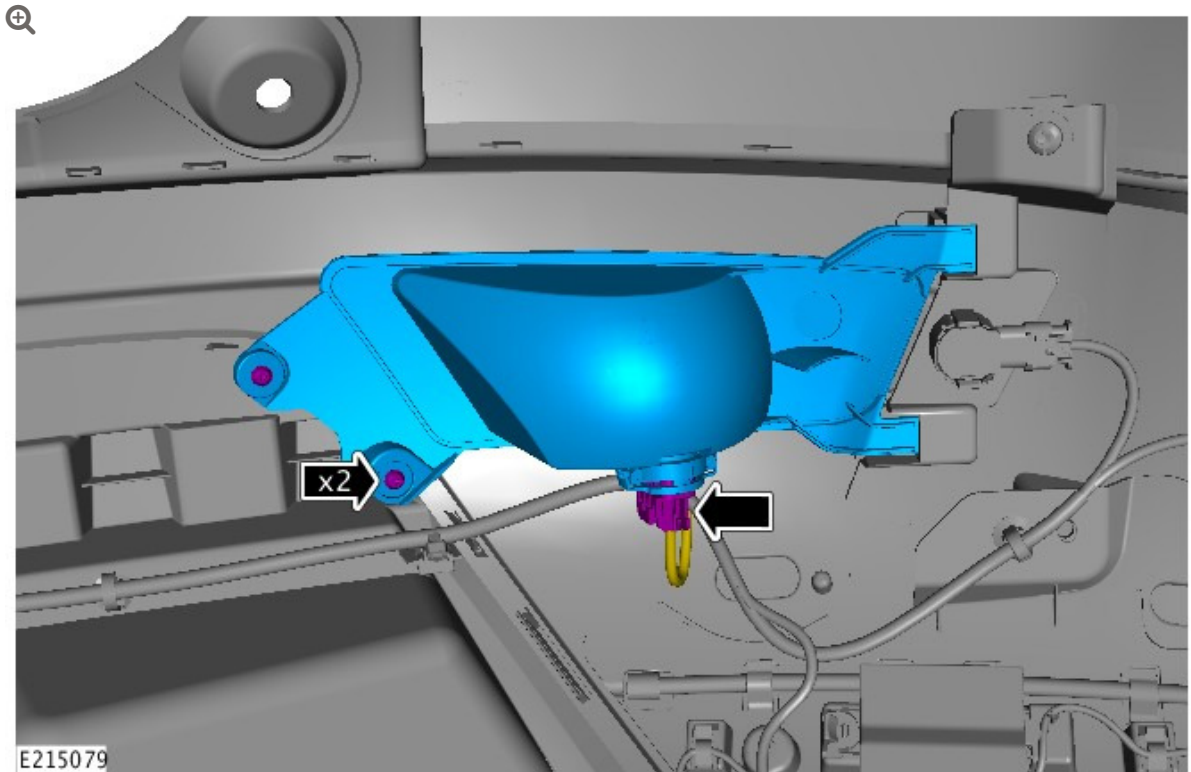
---

2



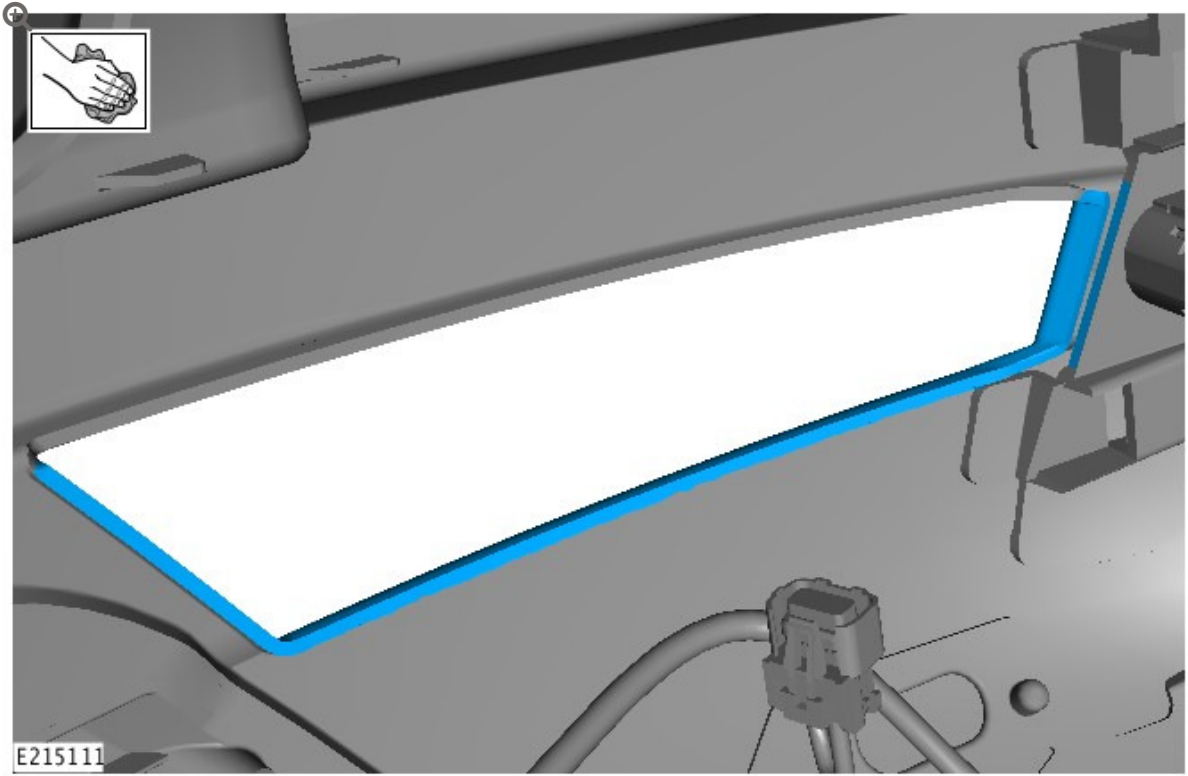
Dry the areas shown.

3



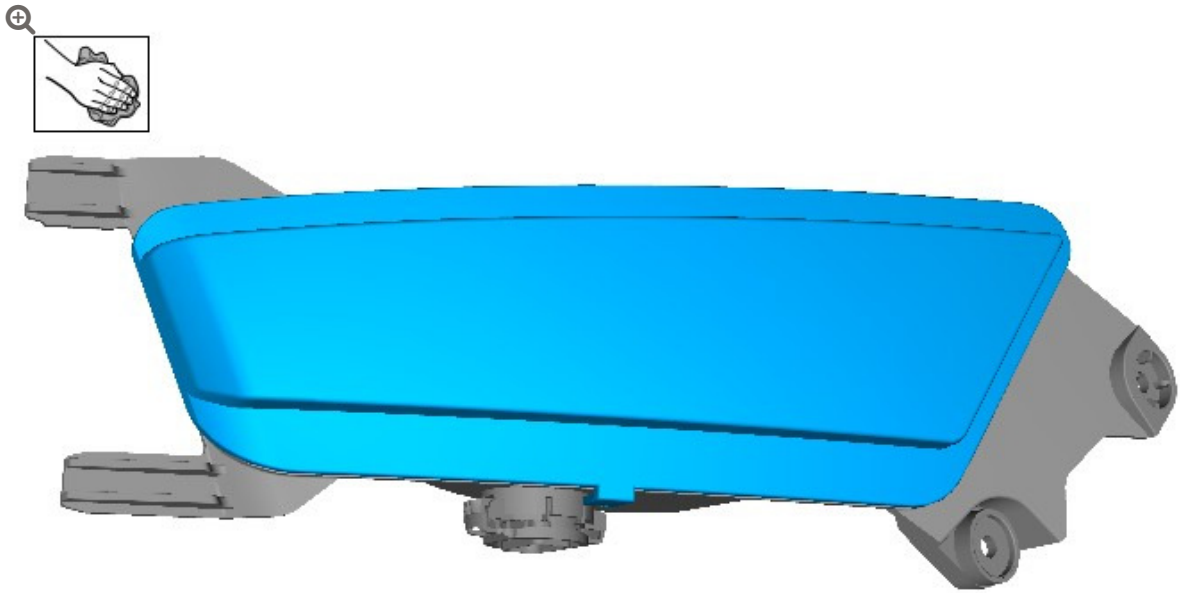
Remove the fog lamp assembly.

4



Clean the rear bumper surfaces in the areas shown.

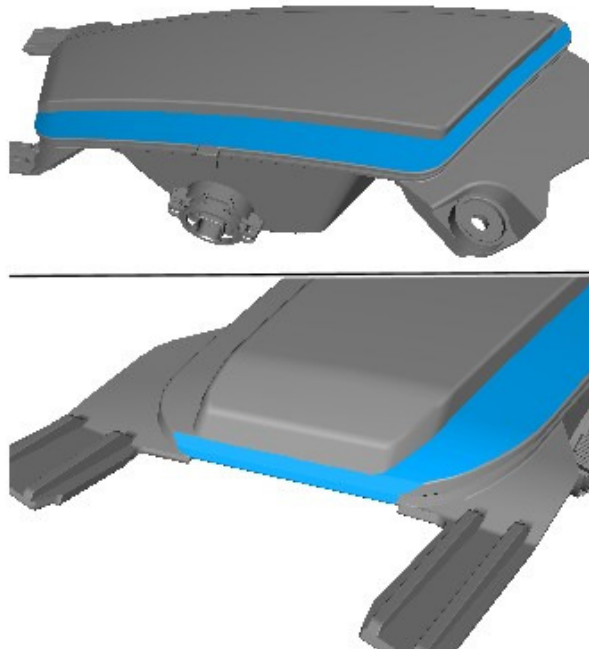
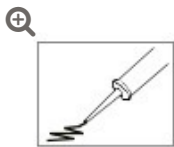
5



E215083

Clean the fog lamp assembly lens.

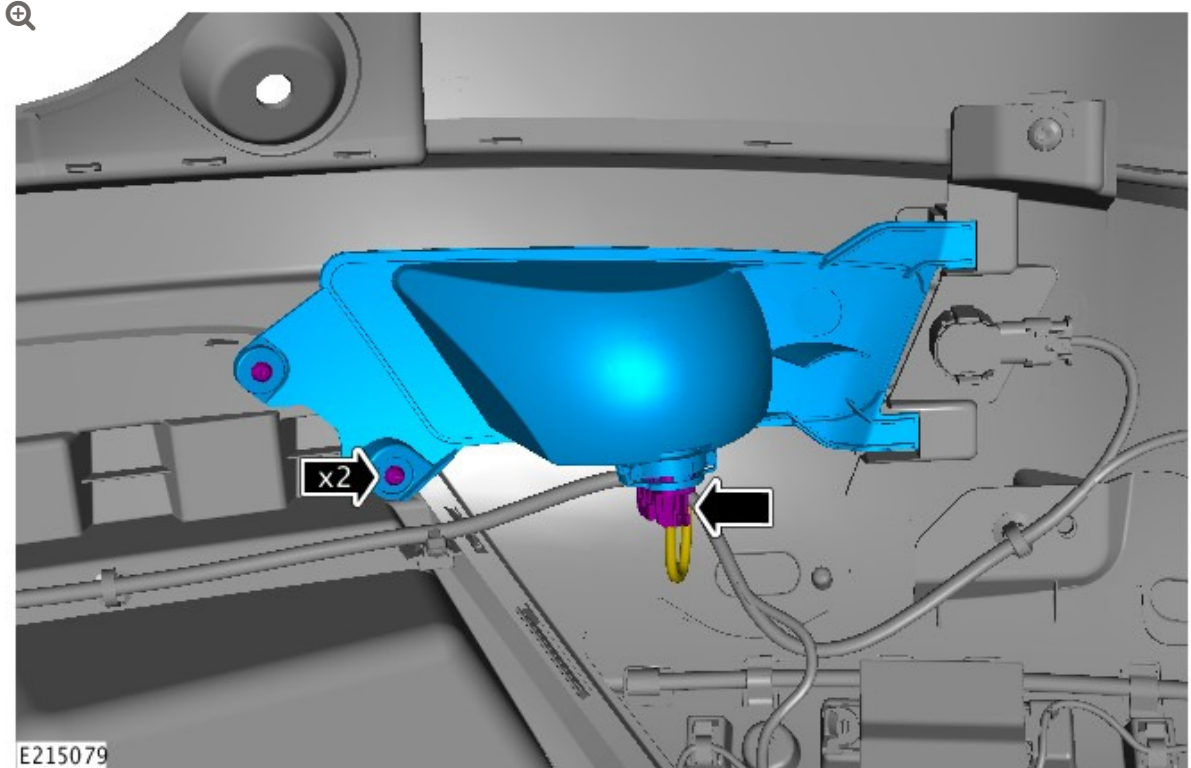
6



E215080

Apply a bead of sealant (Teroson® MS939, Loctite 5512™, or equivalent silane modified polymer sealant) to the areas shown.

7



Install the fog lamp assembly.

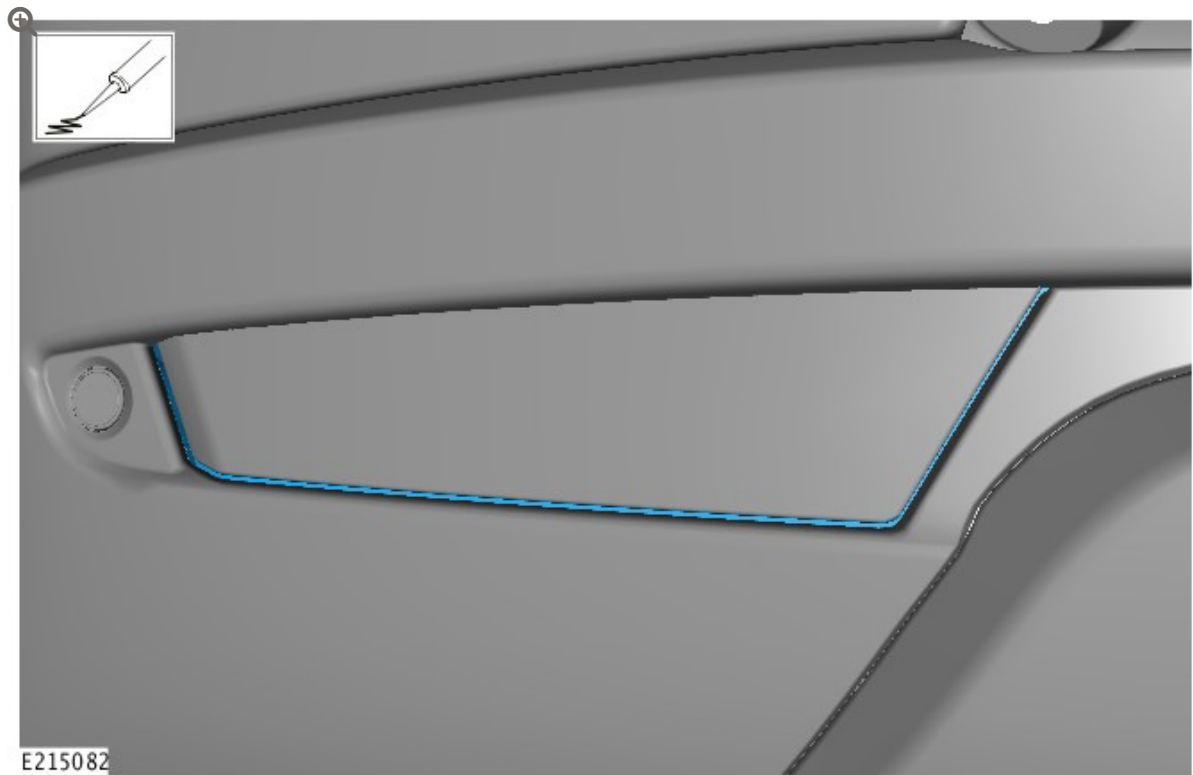
- Torque: **4.5 Nm.**

8

#### NOTES:

- Make sure no sealant is visible on the bumper exterior surface or the fog lamp assembly.
- Clean off excess sealant.



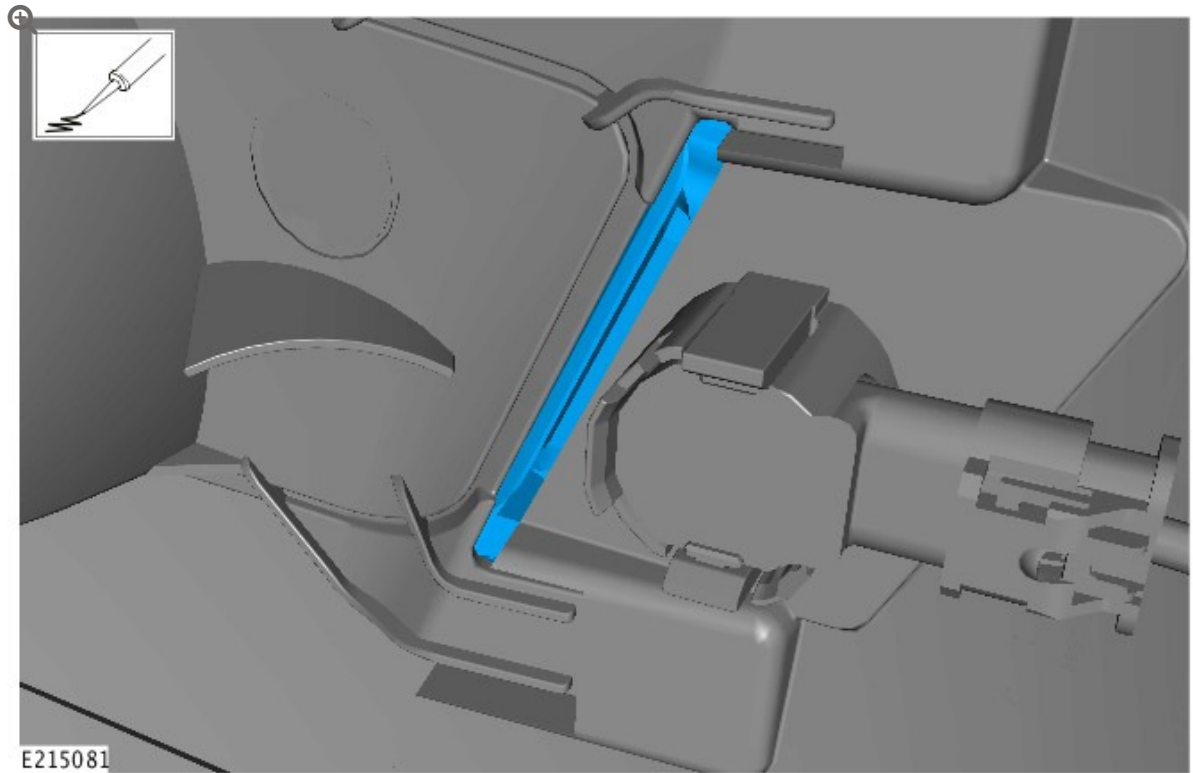


Apply a bead of sealant (Teroson® MS939, Loctite 5512™, or equivalent silane modified polymer sealant) to the areas shown.

9

**NOTES:**

- Make sure no sealant is visible on the bumper exterior surface or the fog lamp assembly.
- Clean off excess sealant.



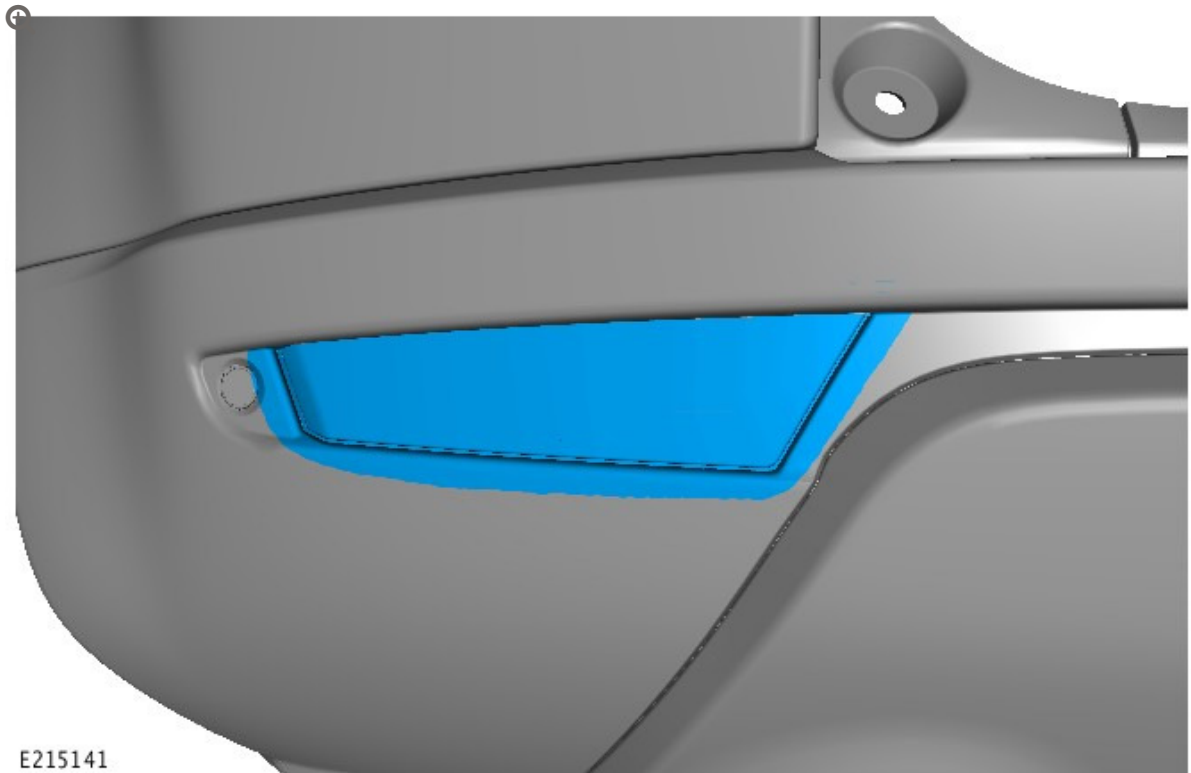
Apply a bead of sealant (Teroson® MS939, Loctite 5512™, or equivalent silane modified polymer sealant) to the areas shown.

---

10 Allow the sealant to cure for 1 hour.

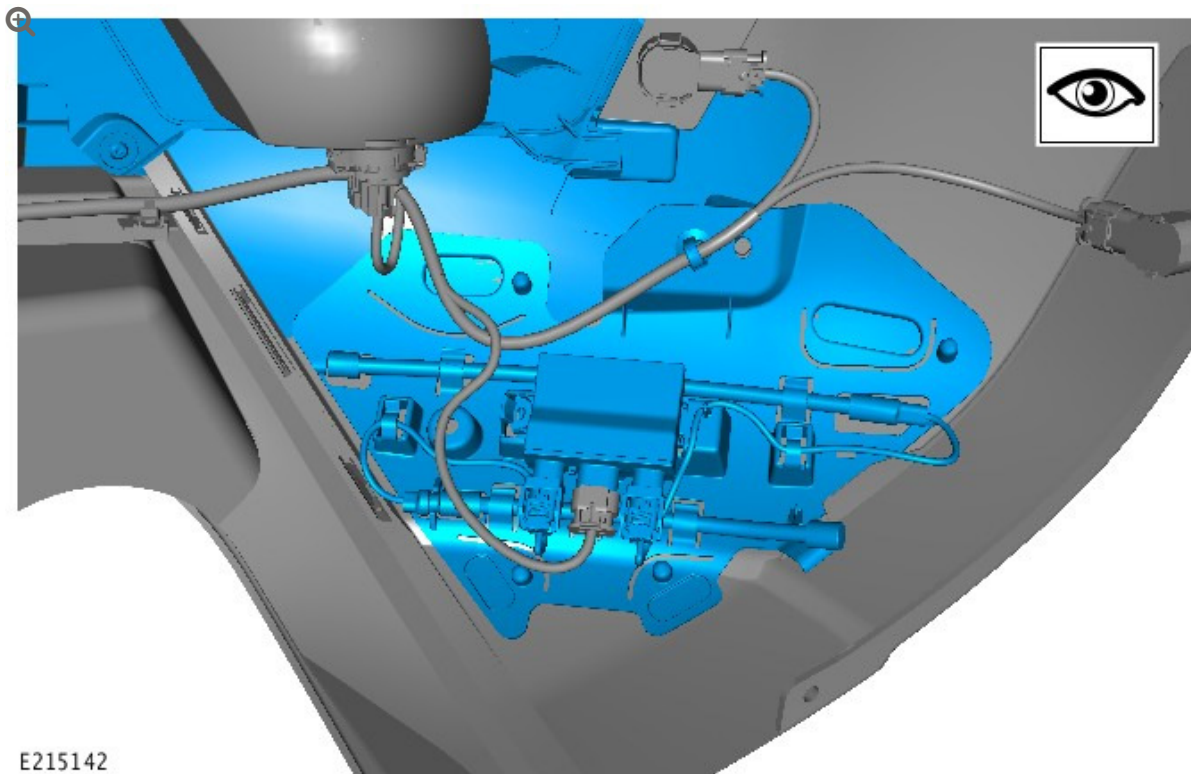
---

11



Spray the fog lamp with water in the area shown.

12



Inspect the areas shown in the illustration for water ingress.

- If there is no water present, **go to Step 13.**
- If there is water present, **repeat Steps 2-11.**

---

**13** Perform Steps 2-11 to the right-side of the bumper.

---

**14** Install the rear bumper assembly (see TOPIx Workshop Manual section 501-19: Bumpers - Removal and Installation - Rear Bumper Cover).

---

**15**

**CAUTION:**

Do not power wash the fog lamp area as the sealant takes 24 hours to fully cure.

Allow 1 additional hour for the sealant to fully cure before washing the vehicle.