

LTB00738NAS4



# TECHNICAL BULLETIN

28 NOV 2017

© Jaguar Land Rover North America, LLC

NOTE: The information in Technical Bulletins is intended for use by trained, professional Technicians with the knowledge, tools, and equipment required to do the job properly and safely. It informs these Technicians of conditions that may occur on some vehicles, or provides information that could assist in proper vehicle service. The procedures should not be performed by 'do-it-yourselfers'. If you are not a Retailer, do not assume that a condition described affects your vehicle. Contact an authorized Land Rover service facility to determine whether this bulletin applies to a specific vehicle.

## INFORMATION

---

This reissue replaces all previous versions. Please destroy all previous versions.

Changes are highlighted in blue

---

### SECTION:

501-19: Bumpers

---

### SUBJECT/CONCERN:

Front Bumper Cracking

---

**AFFECTED VEHICLE RANGE:**

MODEL:	MODEL YEAR:	VIN:	ASSEMBLY PLANT:
Range Rover Evoque (LV)	2012	000447-000695	Halewood
Range Rover Evoque (LV)	2012-2015	600018-999999	Halewood
Range Rover Evoque (LV)	2015 Onwards	000051 Onwards	Halewood

**MARKETS:**

NORTH AMERICA

**CONDITION SUMMARY:****SITUATION:**

The front bumper cover may crack where it meets the front fender.

**CAUSE:**

This may be due to stress applied to the bottom of the front bumper cover causing the top section of the front bumper cover to crack where it meets the front fender.

**ACTION:**

Should a customer express this concern, follow the Service Instruction outlined below.

**PARTS:****NOTE:**

These part numbers are only to be used for vehicles that have the cracking condition.

PART NUMBER	DESCRIPTION	QUANTITY

PART NUMBER	DESCRIPTION	QUANTITY
LR072577	Front bumper cover - without headlamp washer jets and front parking aid (2012-15MY)	1
LR072578	Front bumper cover - with headlamp washer jets, without parking aid (2012-15MY)	1
LR072579	Front bumper cover - without headlamp washer jets and camera system, with front parking aid (2012-15MY)	1
LR072260	Front bumper cover - with headlamp washer jets and front parking aid, without camera system (2012-15MY)	1
LR072580	Front bumper cover - without headlamp washer jets, parking aid or camera system (2012-15MY)	1
LR072581	Front bumper cover - with headlamp washer jets, without parking aid and camera system (2012-15MY)	1
LR072582	Front bumper cover - without headlamp washer jets, with front parking aid and fixed rear view camera (2012-15MY)	1
LR072259	Front bumper cover - with headlamp washer jets, front parking aid and fixed rear view camera (2012-15MY)	1
LR072583	Front bumper cover - with headlamp washer jets, front parking aid and surround camera system (2012-15MY)	1
LR072584	Front bumper cover - without headlamp washer jets, with front parking aid and surround camera system (2012-15MY)	1
LR072587	Front bumper cover - with headlamp washer jets, front parking aid and surround camera system (2012-15MY)	1
LR072588	Front bumper - without headlamp washer jets, with front parking aid and surround camera system (2012-15MY)	1
LR079390	Front bumper cover - without headlamp washer jets, parking aid or camera system (2016MY-onwards)	1
LR079392		1

PART NUMBER	DESCRIPTION	QUANTITY
	Front bumper cover - with headlamp washer jets, without front parking aid and camera system (2016MY-onwards)	
LR079394	Front bumper cover - without headlamp washer jets and camera system with front parking aid (2016MY-onwards)	1
LR079533	Front bumper cover - with headlamp washer jets and front parking aid, without camera system (2016MY-onwards)	1
LR079535	Front bumper cover - with headlamp washer jets, front parking aid and camera system (2016MY-onwards)	1
LR079536	Front bumper cover - without headlamp washer jets with front parking aid and camera system (2016MY-onwards)	1
LR079537	Front bumper cover - without headlamp washer jets and camera system, with front parking aid (2016MY-onwards)	1
LR079538	Front bumper cover - with headlamp washer jets and front parking aid, without camera system (2016MY-onwards)	1
LR079539	Front bumper cover - without headlamp washer jets, with front parking aid and camera system (2016MY-onwards)	1
LR079540	Front bumper cover - with headlamp washer jets, front parking aid and camera system (2016MY-onwards)	1

---

## TOOLS:

Refer to Workshop Manual for any required special tools.

---

## WARRANTY:

**NOTES:**

- Repair procedures are under constant review, and therefore times are subject to change; those quoted here must be taken as guidance only. Always refer to JLR claims submission system to obtain the latest repair time.
- The JLR Claims Submission System requires the use of causal part numbers. Labor only claims must show the causal part number with a quantity of zero.

DESCRIPTION	SRO	TIME (HOURS)	CONDITION CODE	CAUSAL PART
Bumper cover - Front-Renew - 2012-13MY	76.22.72	1.7	1	LR072578
Bumper cover - Front - Renew - 2014-15MY	76.22.72	1.3	1	LR072578
Bumper cover - Front - Renew - 2016MY-onwards	76.22.72	1.6	1	LR072578
Bumper cover - Front - Flat and repaint	79.J.BJ2	1.9	1	LR072578

**NOTE:**

Normal Warranty procedures apply.

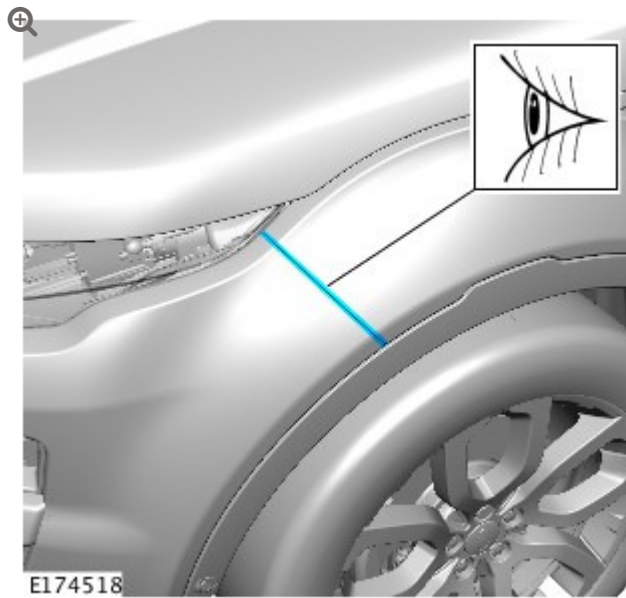
COMPONENT LOCATION:

---

1

**NOTE:**

Left-side shown; right-side similar.



Area that can be affected.

SERVICE INSTRUCTION:

---

- 1 Prepare and paint the new front bumper.
- 2 Renew the front bumper cover (see TOPIx Workshop Manual section 501-19: Bumpers - Removal and installation - Front bumper cover).