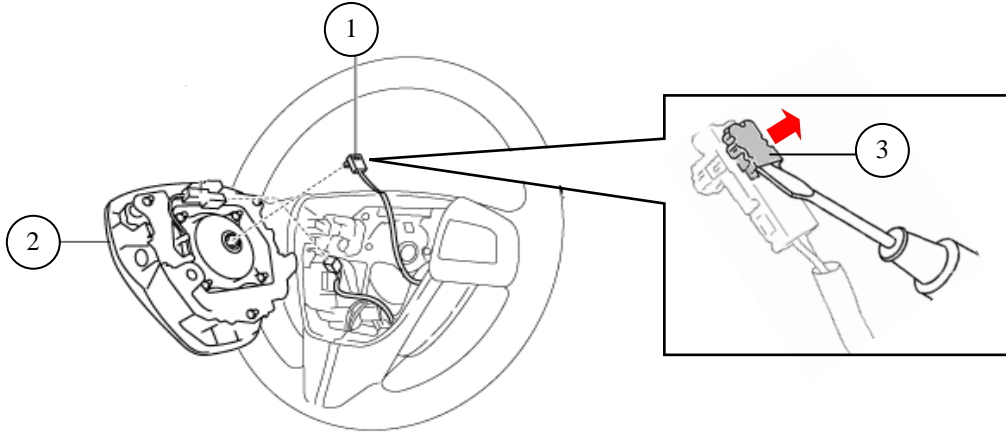


REFERENCE NO: RF-17-01

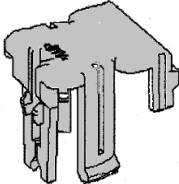
DATE: January 23, 2017

SUBJECT: ALL MODELS - STOPPER PLATES FOR AIR BAG MODULE CONNECTORS

If the stopper plate (3) is damaged when removing the connector (1) to the air bag module (2), the stopper plate has been established as a new service part.



Two types of old and new stopper plates exist. The exact switching date from the old to new stopper plate is unknown. Please first confirm the configuration of the stopper plate used on the vehicle in repair, and then use the one with the same configuration.

Part Number	GAY1 67 022	GAY2 67 022
Description	Stopper Plate (OLD TYPE)	Stopper Plate (NEW TYPE)
Configuration	<div style="border: 1px solid black; padding: 2px; display: inline-block;">OLD TYPE</div> 	<div style="border: 1px solid black; padding: 2px; display: inline-block;">NEW TYPE</div> 