



# Technical Journal

TITLE:

Inner door handle, clicking noise

<b>REF NO:</b> TJ 32500.1.0	<b>ISSUING DEPARTMENT:</b> Technical Service	<b>CAR MARKET:</b> United States and Canada	
<b>PARTNER:</b> 3 US 7510 Volvo Car USA		<b>ISSUE DATE:</b> 2017-04-10	<b>STATUS DATE:</b> 2017-04-10
<b>FUNC GROUP:</b> 8345	<b>FUNC DESC:</b> handle, inner for side door	Page 1 of 28	

“Right first time in Time”

## Attachment

File Name	File Size
Noise.mp4	1.6074 MB
S V90 repair.pdf	5.8538 MB
XC90 repair.pdf	3.9178 MB

## Vehicle Type

Type	Eng	Eng Desc	Sales	Body	Gear	Steer	Model Year	Plant	Chassis range	Struc Week Range
234							2017-9999		0000350-0999999	201617-999952
235							2017-9999		0000160-0999999	201624-999952
236							2017-9999		0000098-0999999	201646-999952
256							2016-9999		0000561-0999999	201505-999952

## CSC Customer Symptom Codes

Code	Description
F9	Doors/Squeak/rattle/When opening/closing
G8	Doors/Squeak/rattle/Front side door
G9	Doors/Squeak/rattle/Rear side door

## VST Operation Number



VST Operation Number	Description
98670-2	Handle inside side door 1 x adjust acc. to TJ32500

## DTC Diagnostic Trouble Codes

Rows beginning with \* are modified

Note! If using a printed copy of this Technical Journal, first check for the latest online version.

## Text

### DESCRIPTION:

Clicking noise when using inner door handle, see video [“Noise.mp4”](#).

### SERVICE:

Apply grease P/N 31437986 US/CA

See attachment:

S V90 repair.pdf

XC90 repair.pdf

Perform service solution to doors with the clicking noise from the inner door handle only.

### VEHICLE REPORT:

Yes, please submit a Vehicle Report if the service solution described in this TJ has no effect. Use concern area “Vehicle Report” and sub concern area “Support not needed”, use function group 8345.

**To view TJ attachment continue to next page. This TJ has 2 attachments and one sound file.**



## Volvo Car Customer Service

TJ 32500

<b>Title</b>	Internal handle, side door	<b>Page</b>	1 ( 15 )
<b>Action</b>	Product fix	<b>Operation number:</b>	98670-2

### Affected vehicles

Model year	Model	Chassis
2017	S90 (17-)	000350-999999
2017	V90 (17-)	000160-999999
2017	V90 Cross Country	000098-999999

### Materials

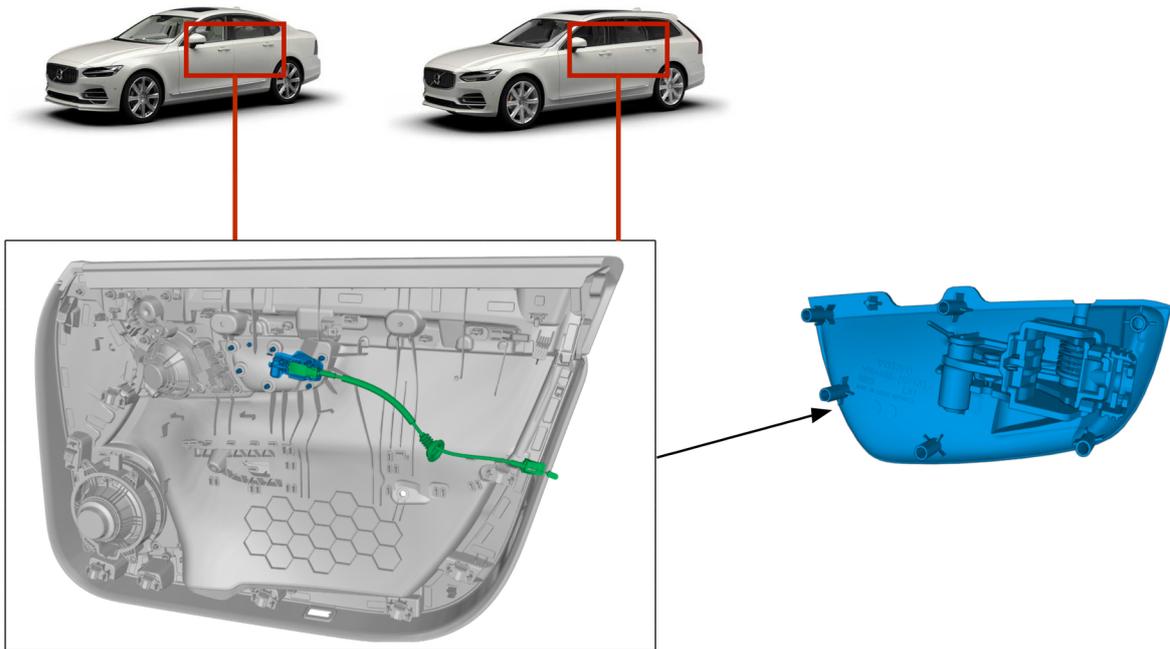
Materials	Qty.	Part No.	Notes
Grease, splines joint	0.4	31437986	US/CDN;

### Equipment

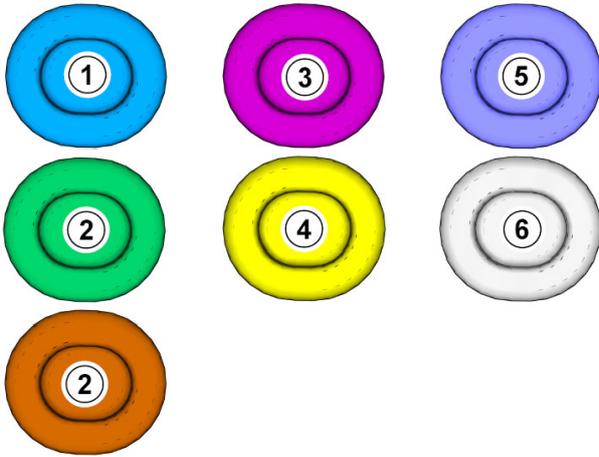
Designation	Part No.
Interior trim remover	

### Removal

**Note! Removal steps in this procedure may contain installation details.**



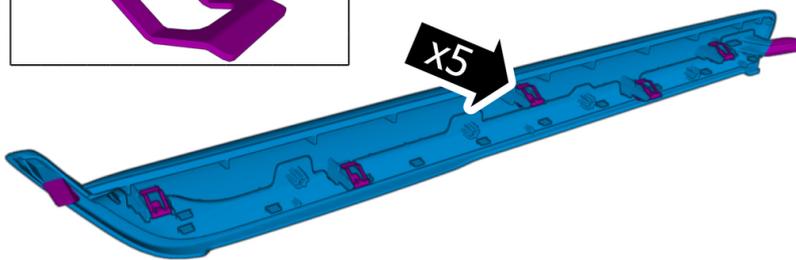
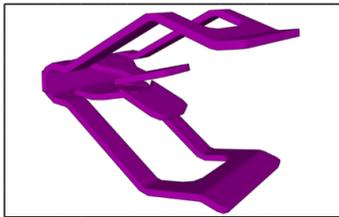
## Color symbols



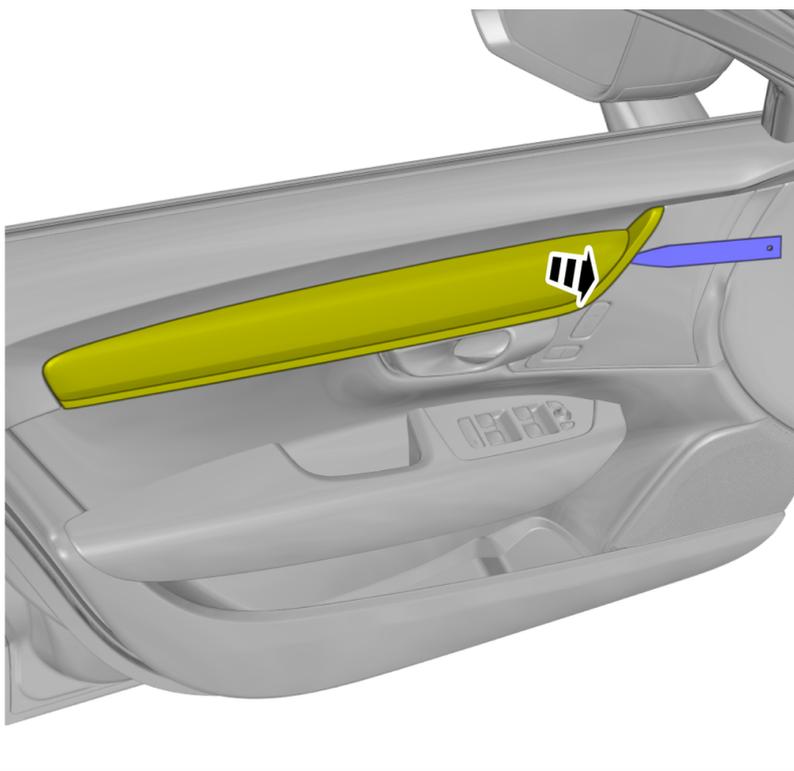
**Note!** This colour chart displays (in colour print and electronic version) the importance of the different colours used in the images of the method steps.

- 1 . Used for focused component, the component with which you will do something.
- 2 . Used as extra colors when you need to show or differentiate additional parts.
- 3 . Used for attachments that are to be removed/installed. May be screws, clips, connectors, etc.
- 4 . Used when the component is not fully removed from the vehicle but only hung to the side.
- 5 . Used for standard tools and special tools.
- 6 . Used as background color for vehicle components.

Applies to front door



**Note!** The graphic shows the back of the component before removal.

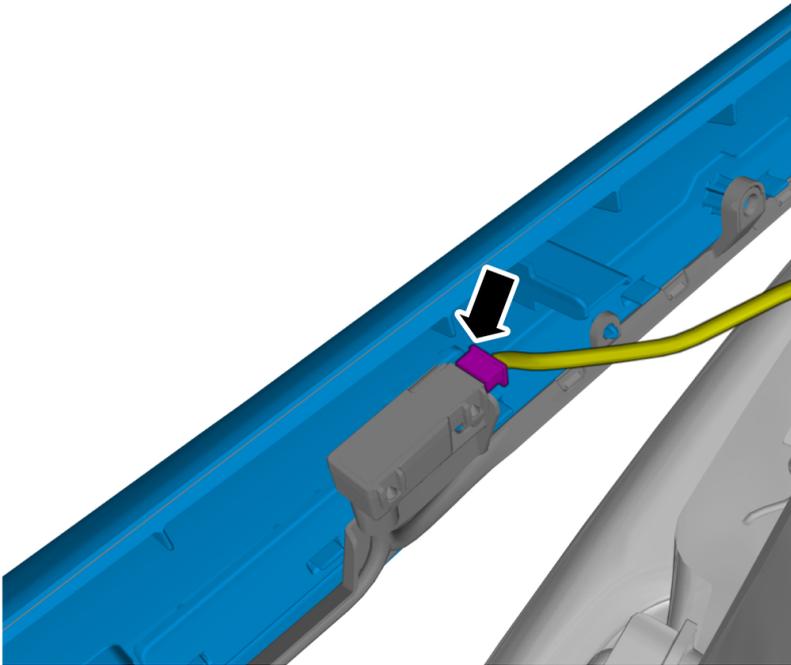


**Use:** Interior trim remover



**Remove the marked part.**

Disconnect the connector.

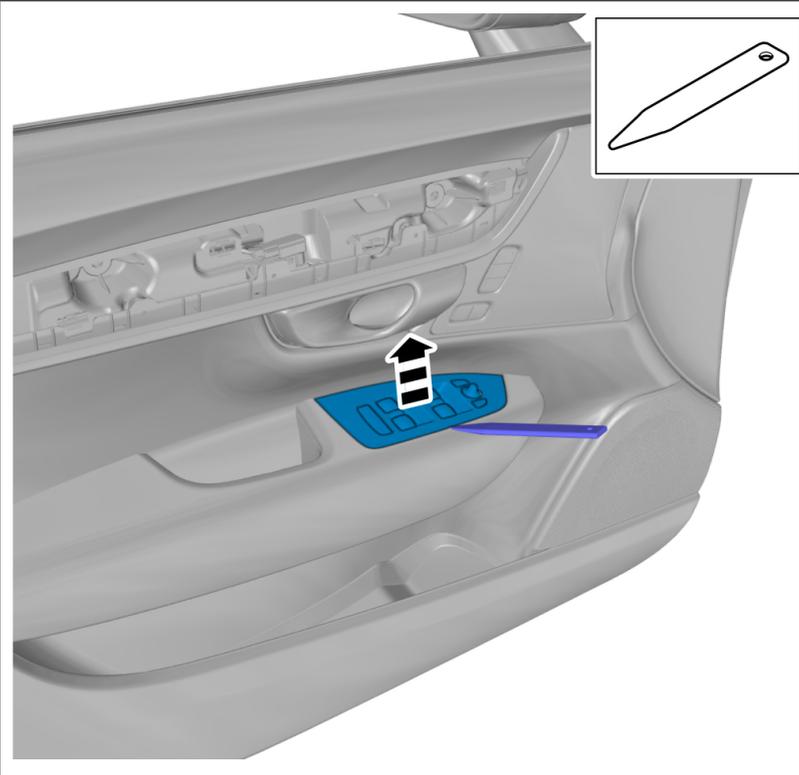


**Torque:**

M5 , 5 Nm

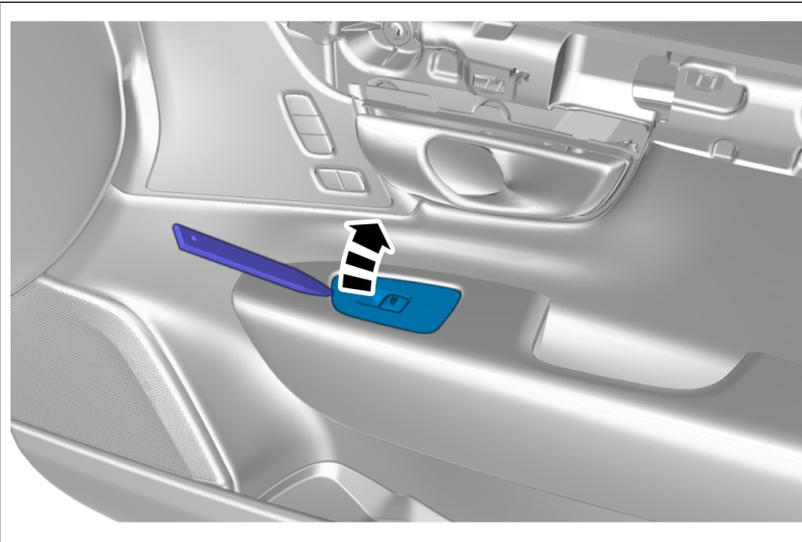
Remove the screws.



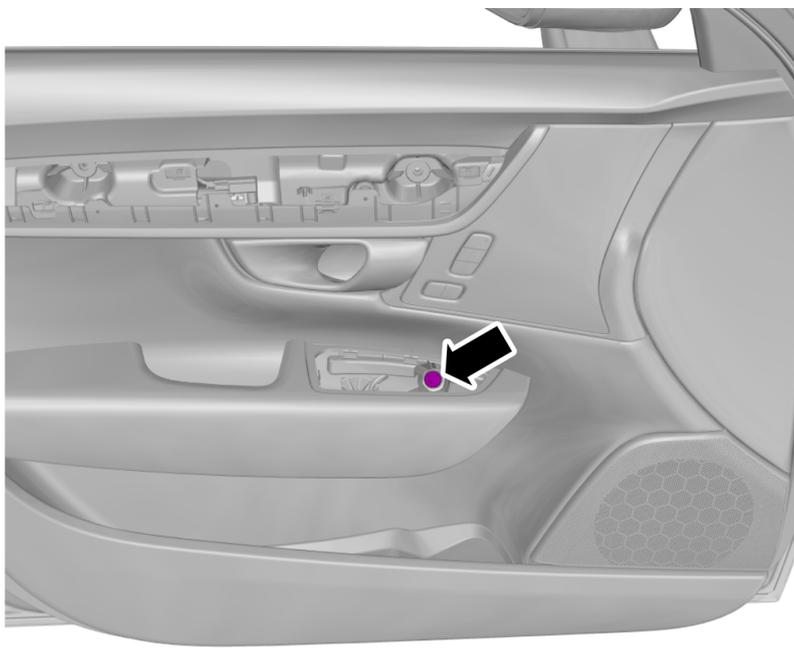


Remove the marked part.

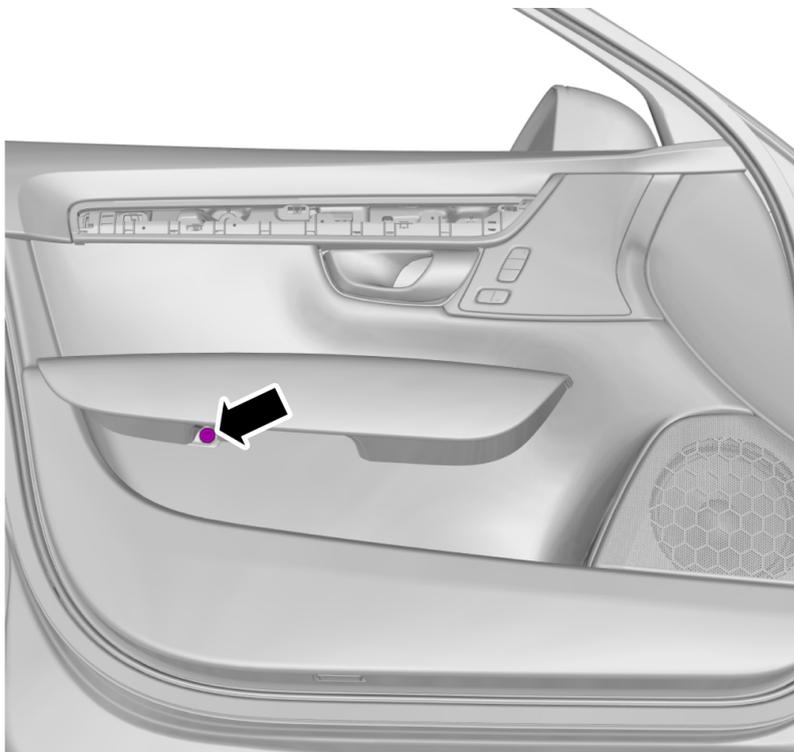
Applies to the passenger side



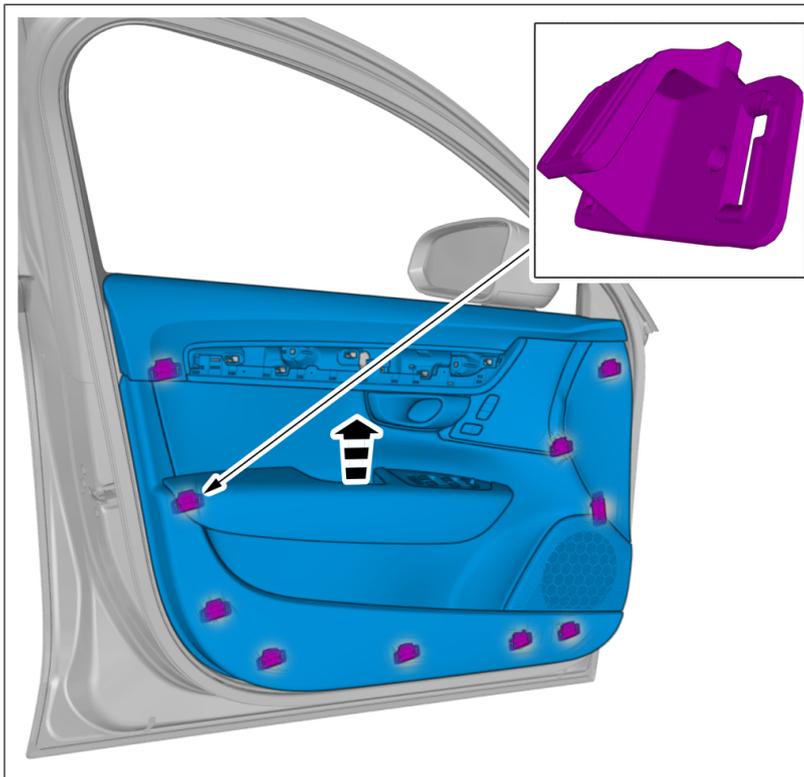
All vehicles



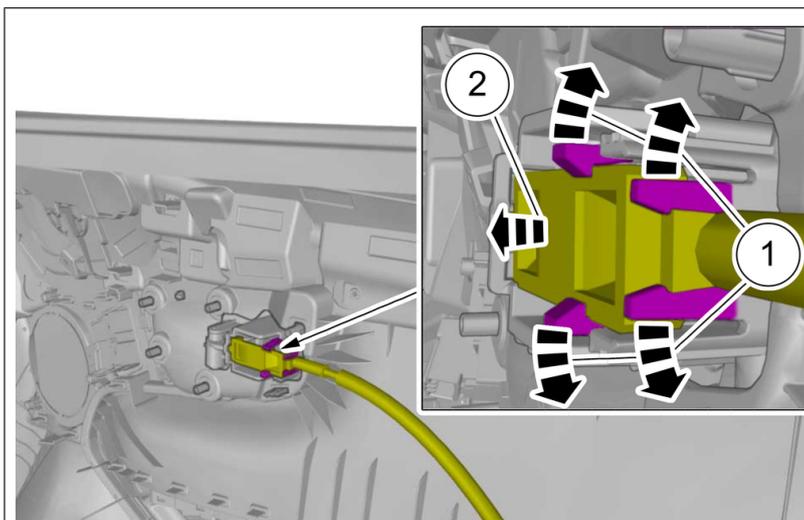
Remove the screw.



Remove the screw.

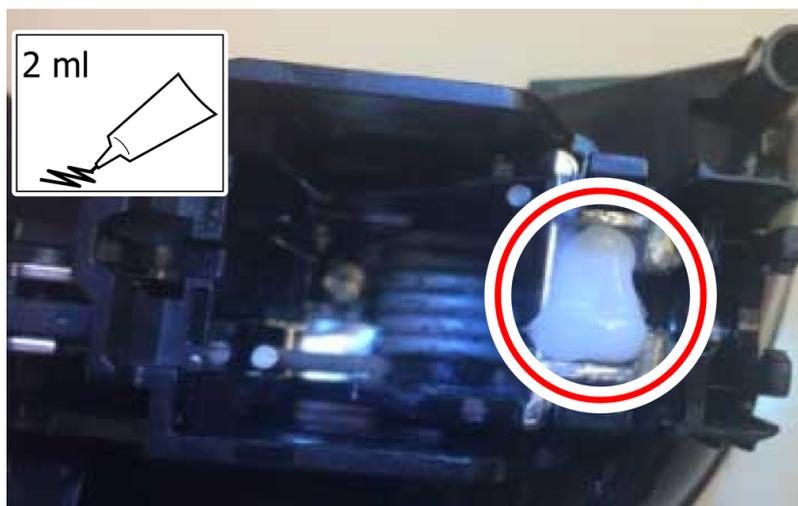
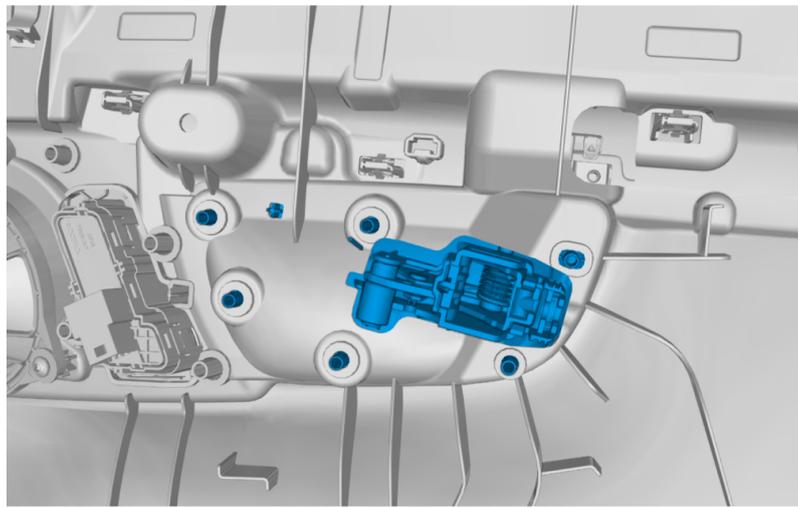


Remove the panel.



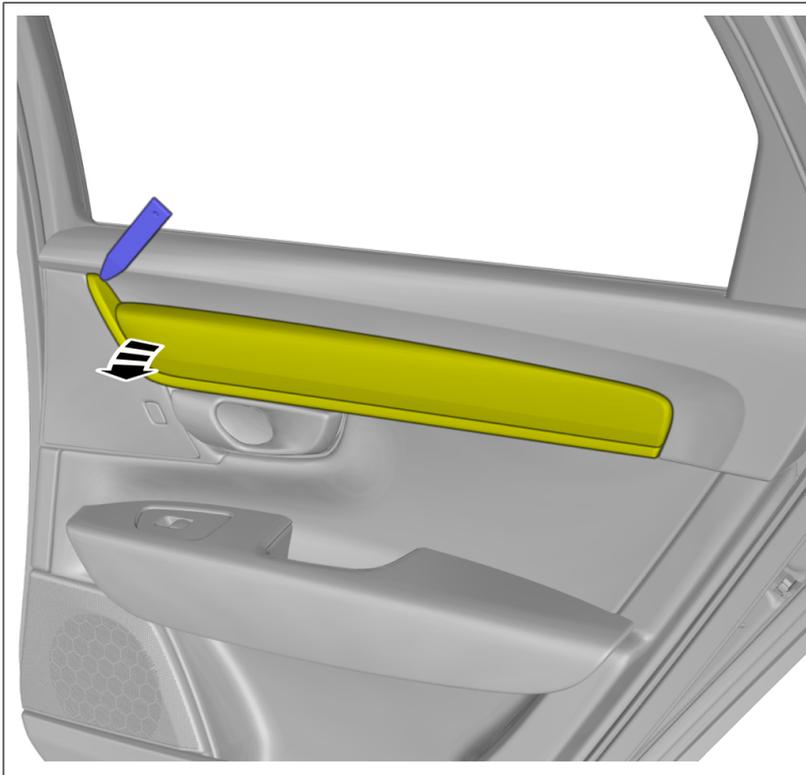
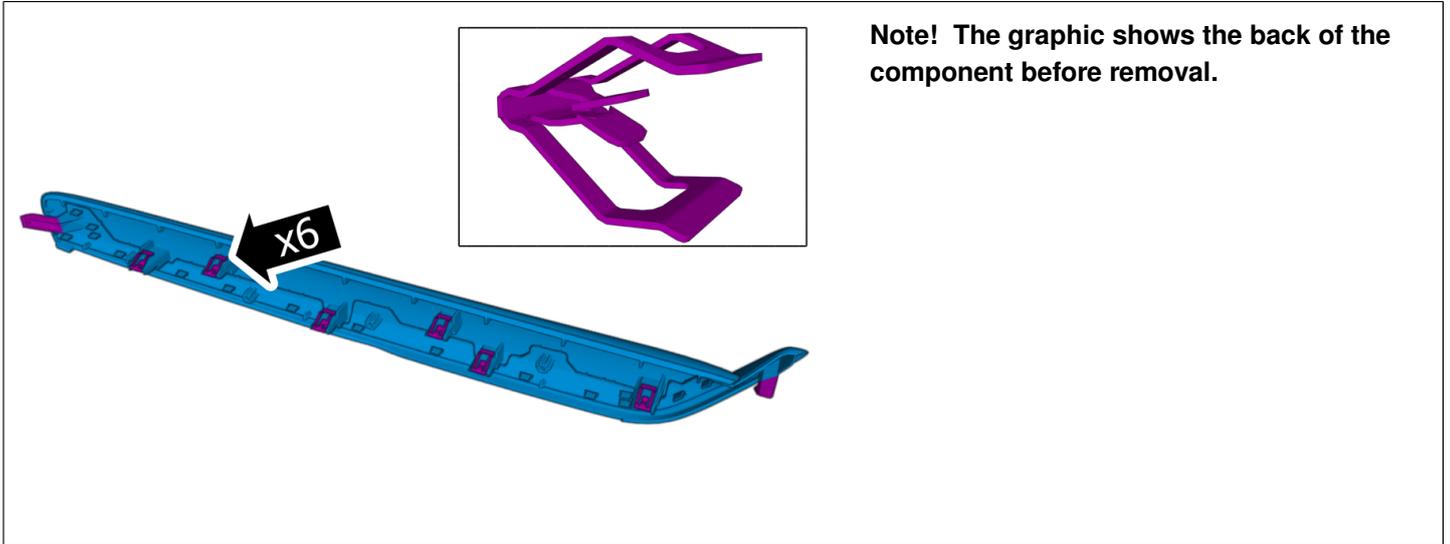
Release the catches.  
Fold marked part to one side.

Orientation view



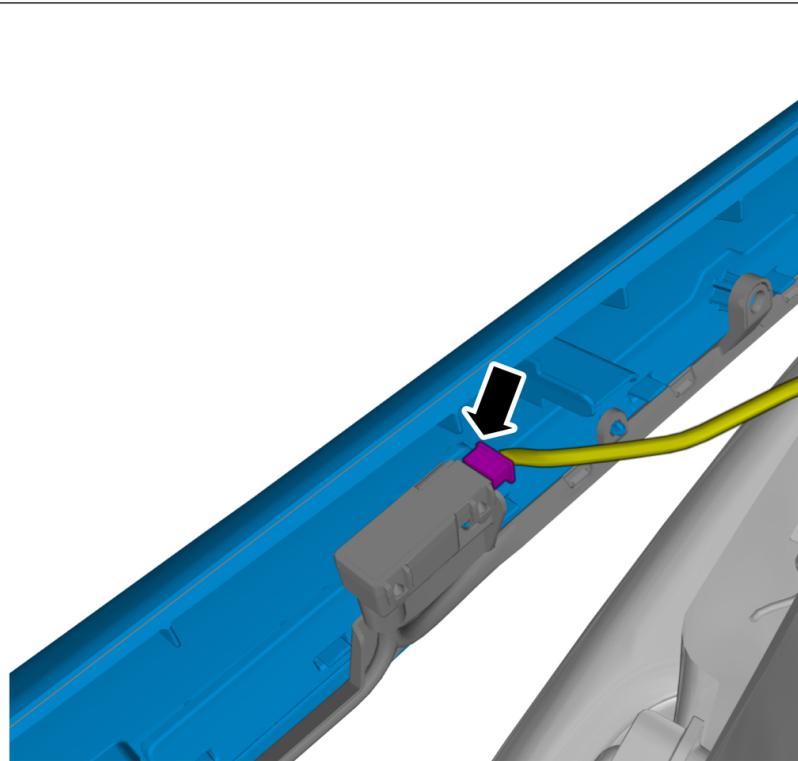
Apply the stated Material on the marked surface.

Applies to rear door



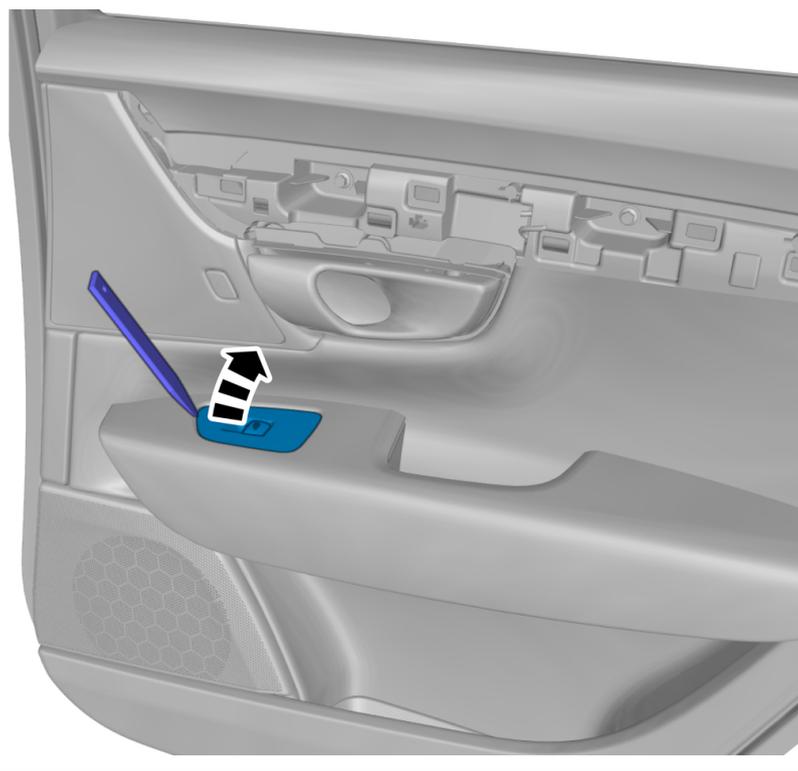


Remove the marked part.



Disconnect the connector.

Remove the marked part.



Remove the screws.

**Torque:**

M5 , 5 Nm



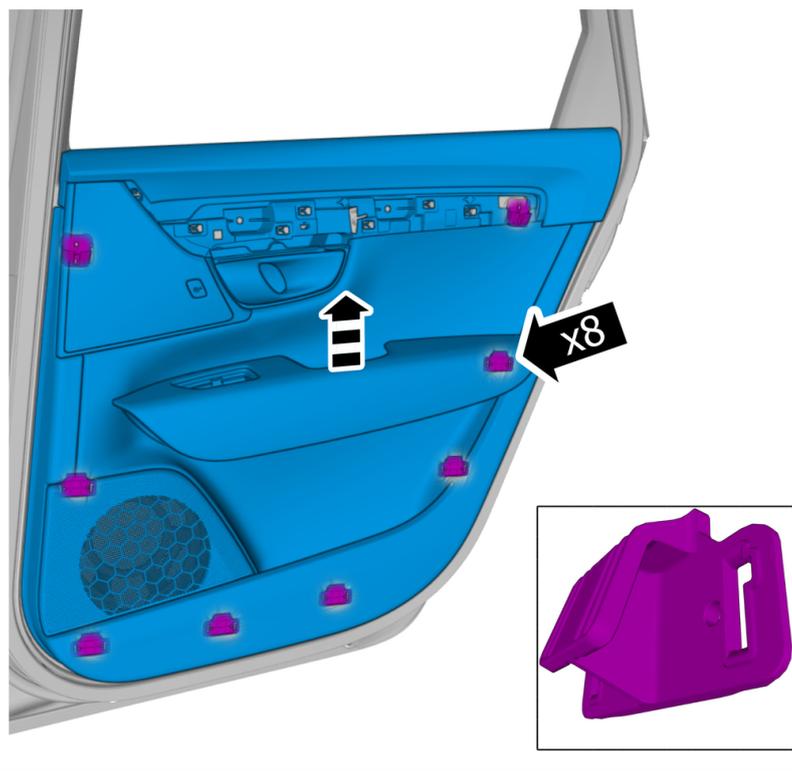
Remove the screw.



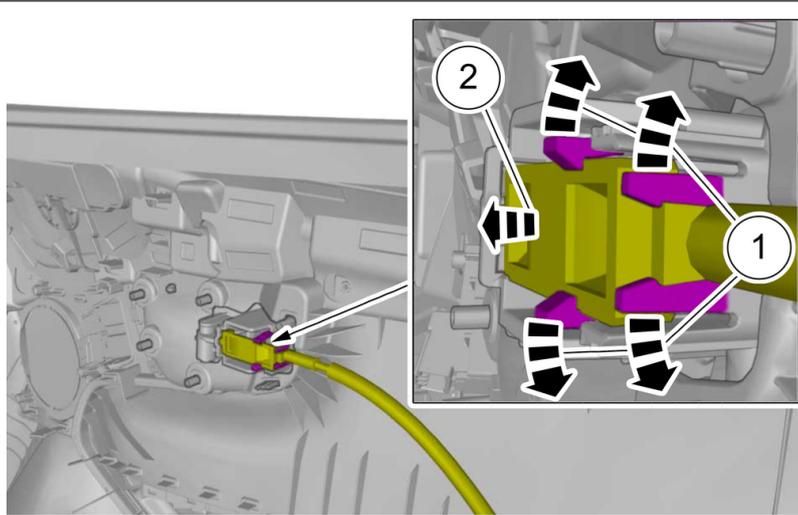
Remove the screw.



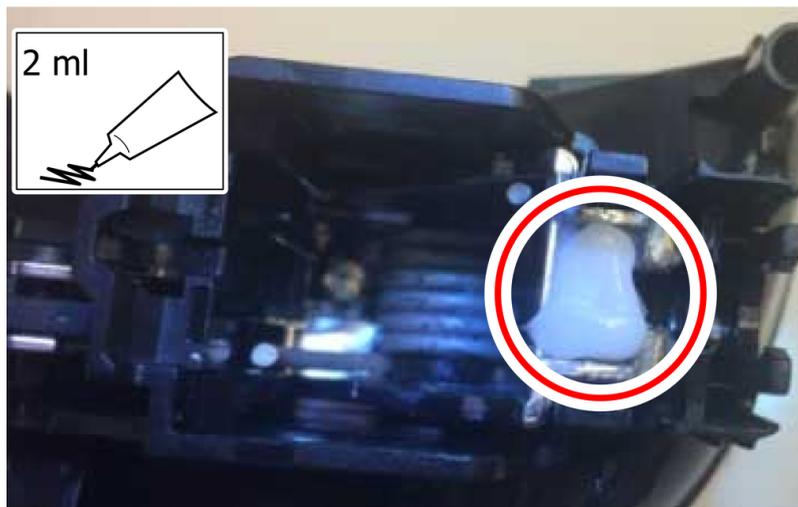
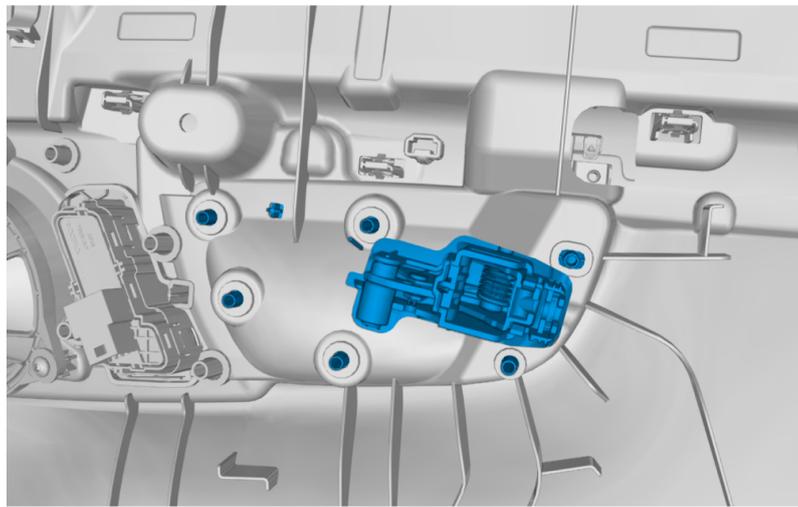
Remove the marked part.



Release the catches.  
Fold marked part to one side.



**Orientation view**



Apply the stated Material on the marked surface.

**Installation**

To install, reverse the removal procedure.



## Volvo Car Customer Service

TJ 32500

<b>Title</b>	Internal handle, side door	<b>Page</b>	1 ( 11 )
<b>Action</b>	Product fix	<b>Operation number:</b>	98670-2

### Affected vehicles

Model year	Model	Chassis
2016, 2017	XC90 (16-)	000561-999999

### Materials

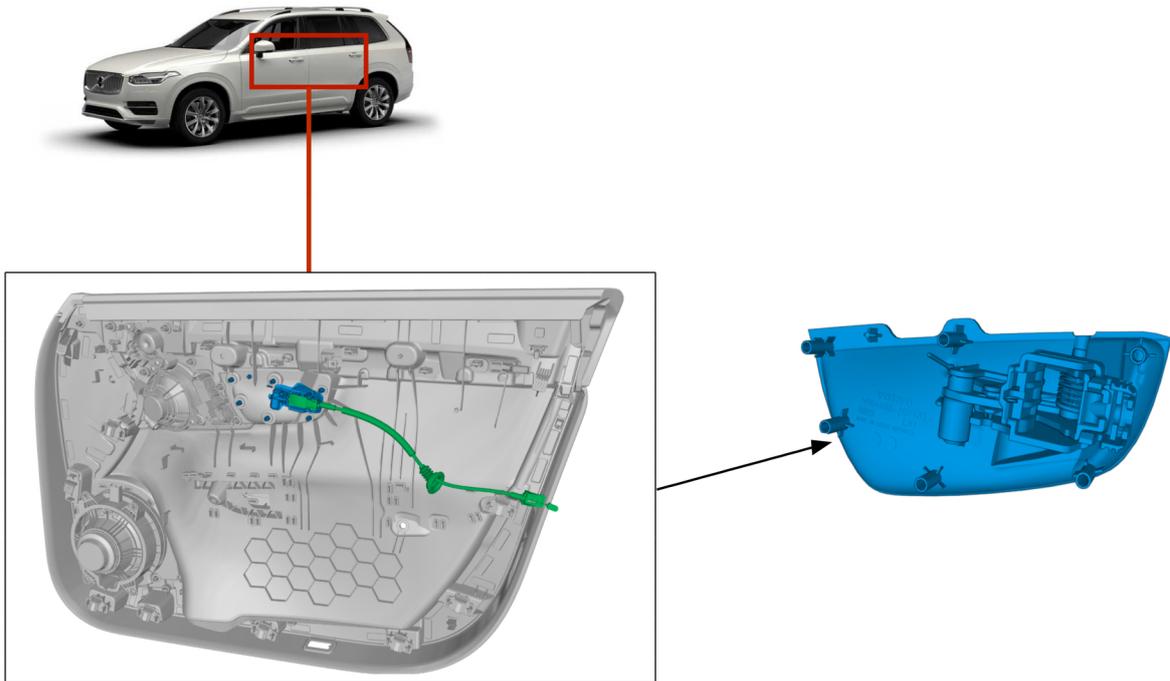
Materials	Qty.	Part No.	Notes
Grease, splines joint	0.4	31437986	US/CDN;

### Equipment

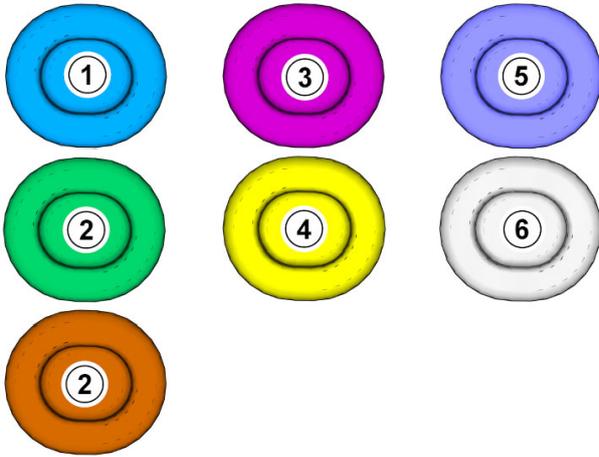
Designation	Part No.
Interior trim remover	

## Removal

**Note! Removal steps in this procedure may contain installation details.**



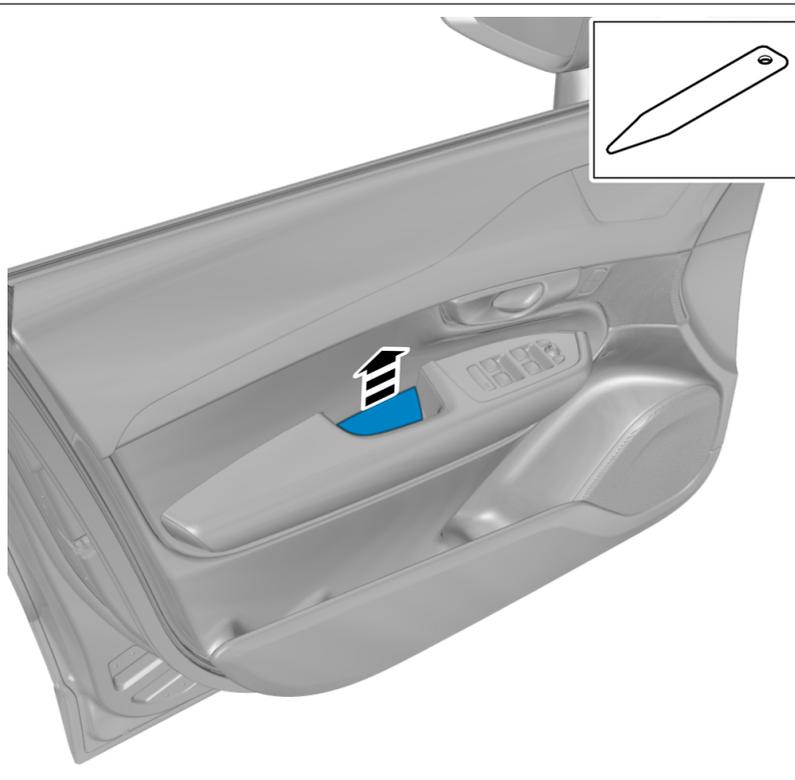
## Color symbols



**Note!** This colour chart displays (in colour print and electronic version) the importance of the different colours used in the images of the method steps.

- 1 . Used for focused component, the component with which you will do something.
- 2 . Used as extra colors when you need to show or differentiate additional parts.
- 3 . Used for attachments that are to be removed/installed. May be screws, clips, connectors, etc.
- 4 . Used when the component is not fully removed from the vehicle but only hung to the side.
- 5 . Used for standard tools and special tools.
- 6 . Used as background color for vehicle components.

Applies to front door

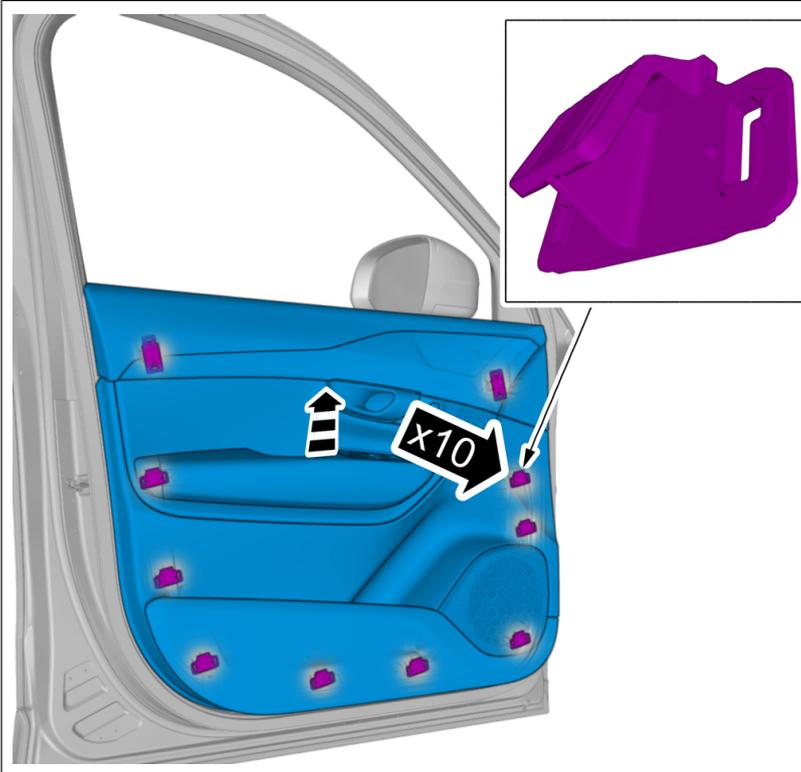


Remove the marked part.

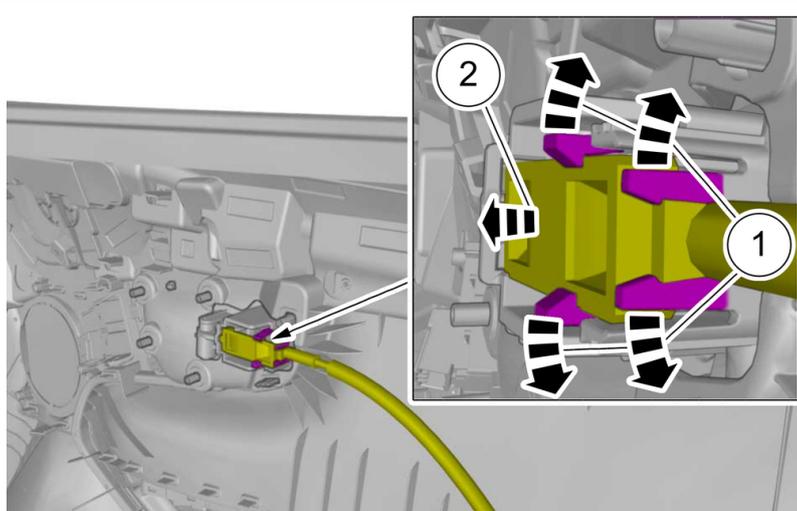
**Use:** Interior trim remover



Remove the screws.

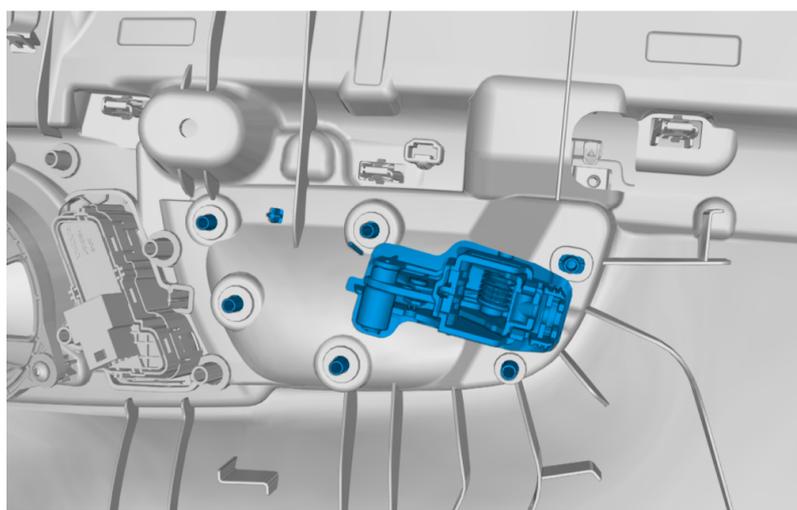


Remove the panel.



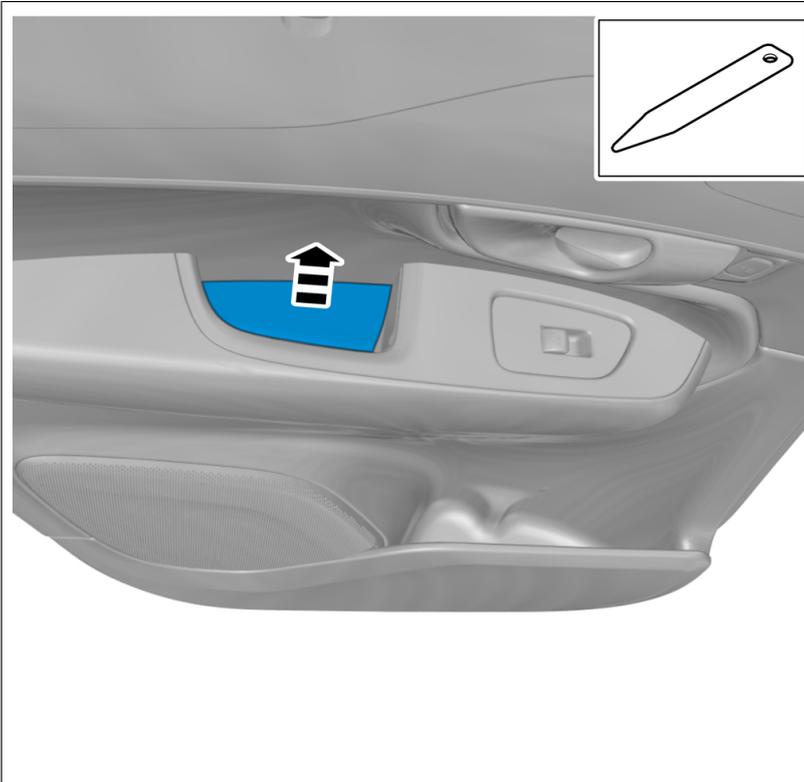
Release the catches.  
Fold marked part to one side.

Orientation view

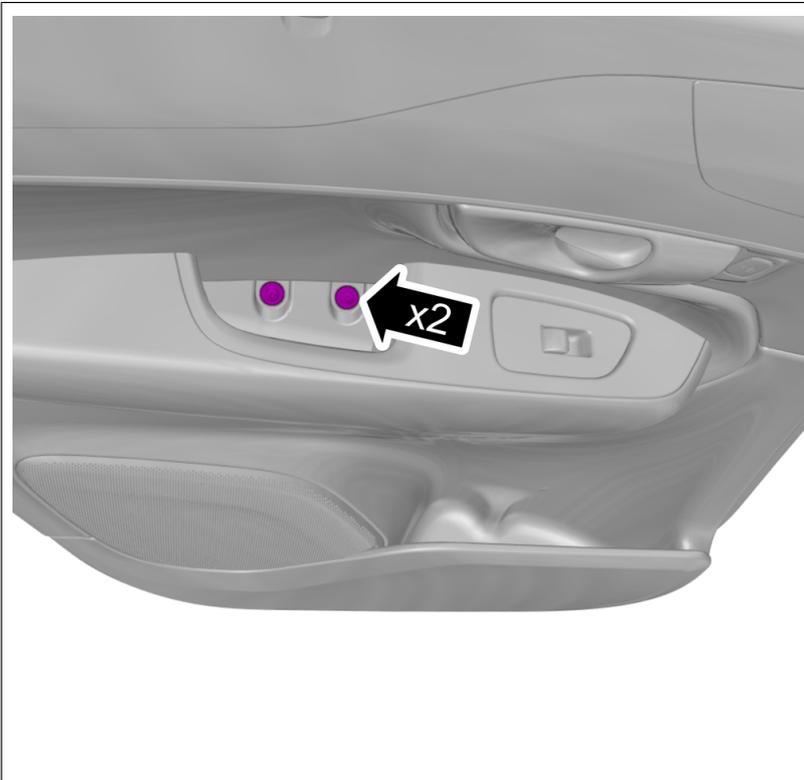


Apply the stated Material on the marked surface.

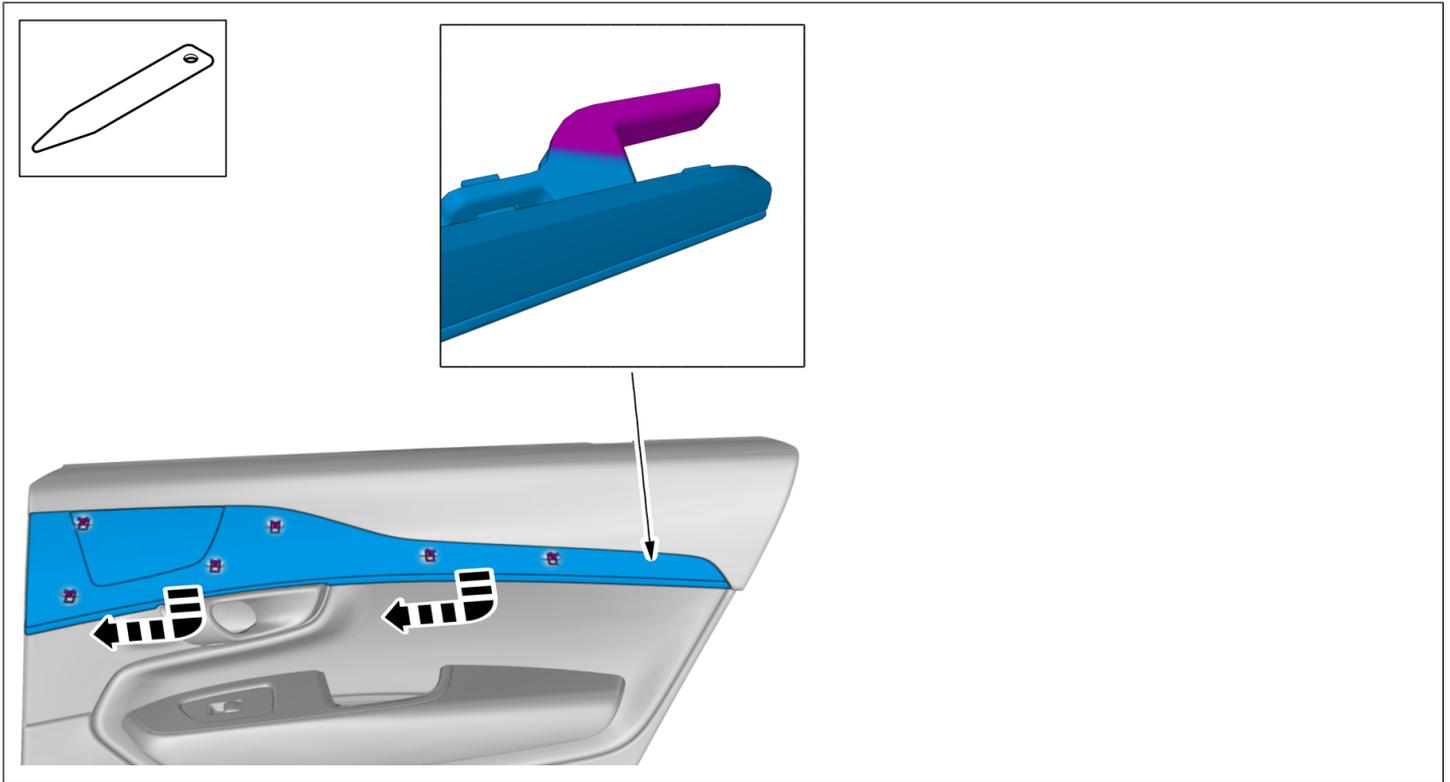
Applies to rear door



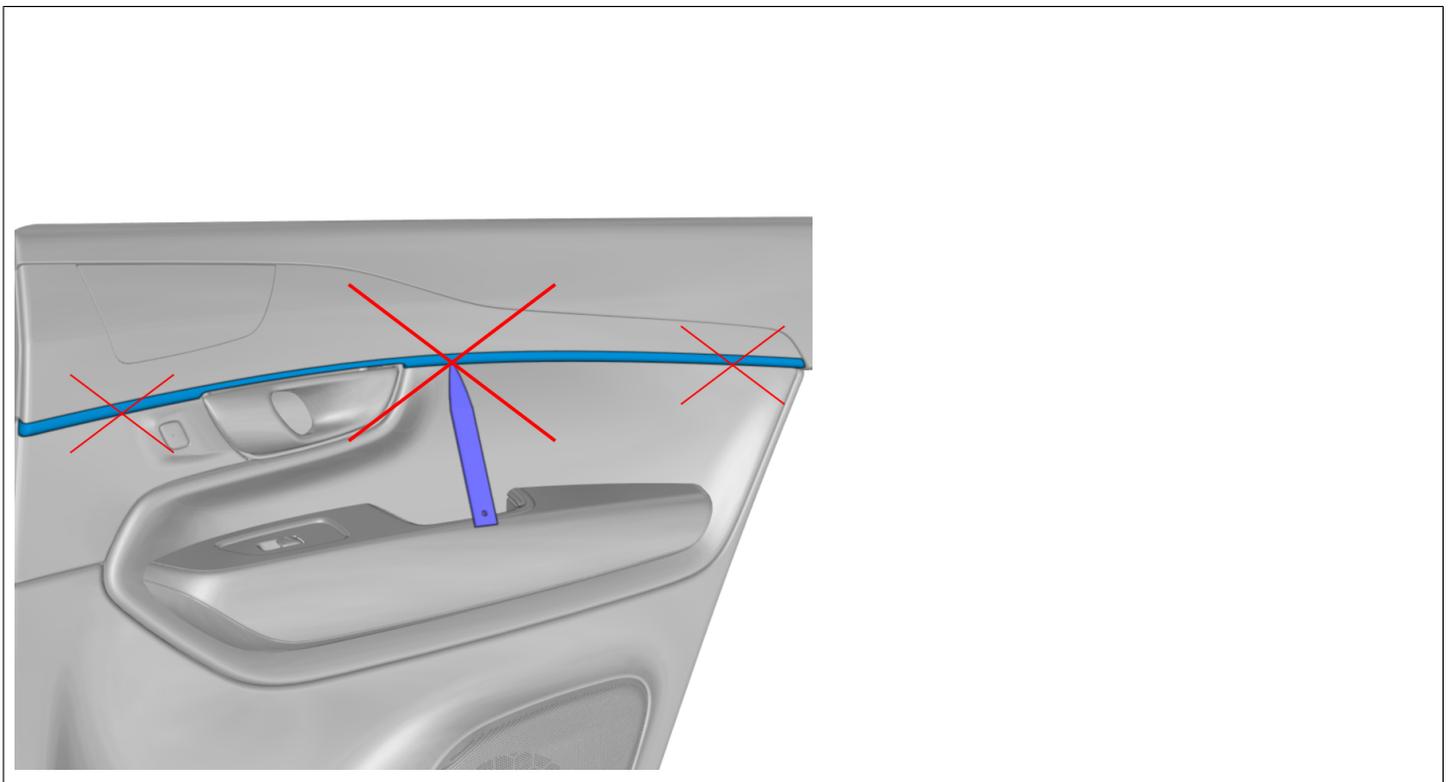
Remove the marked part.

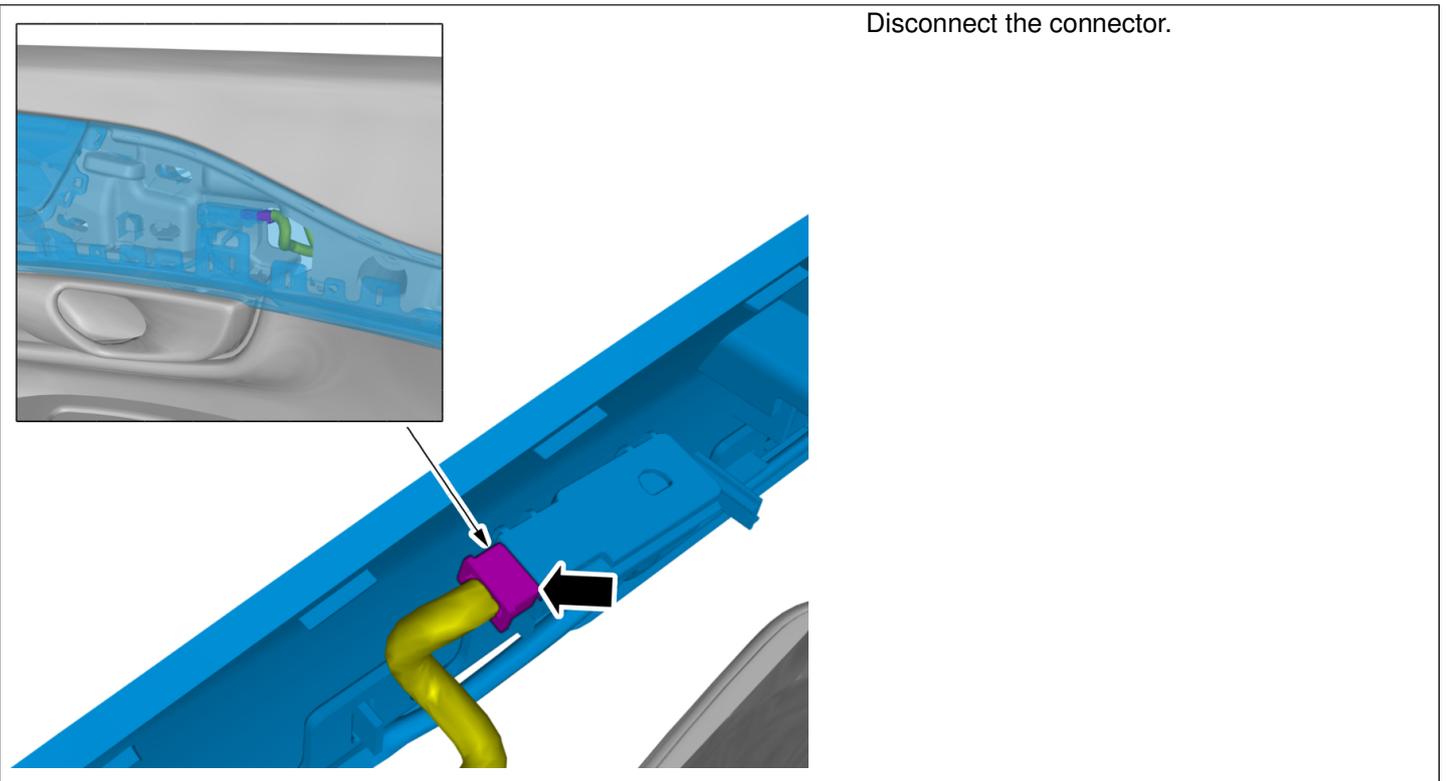
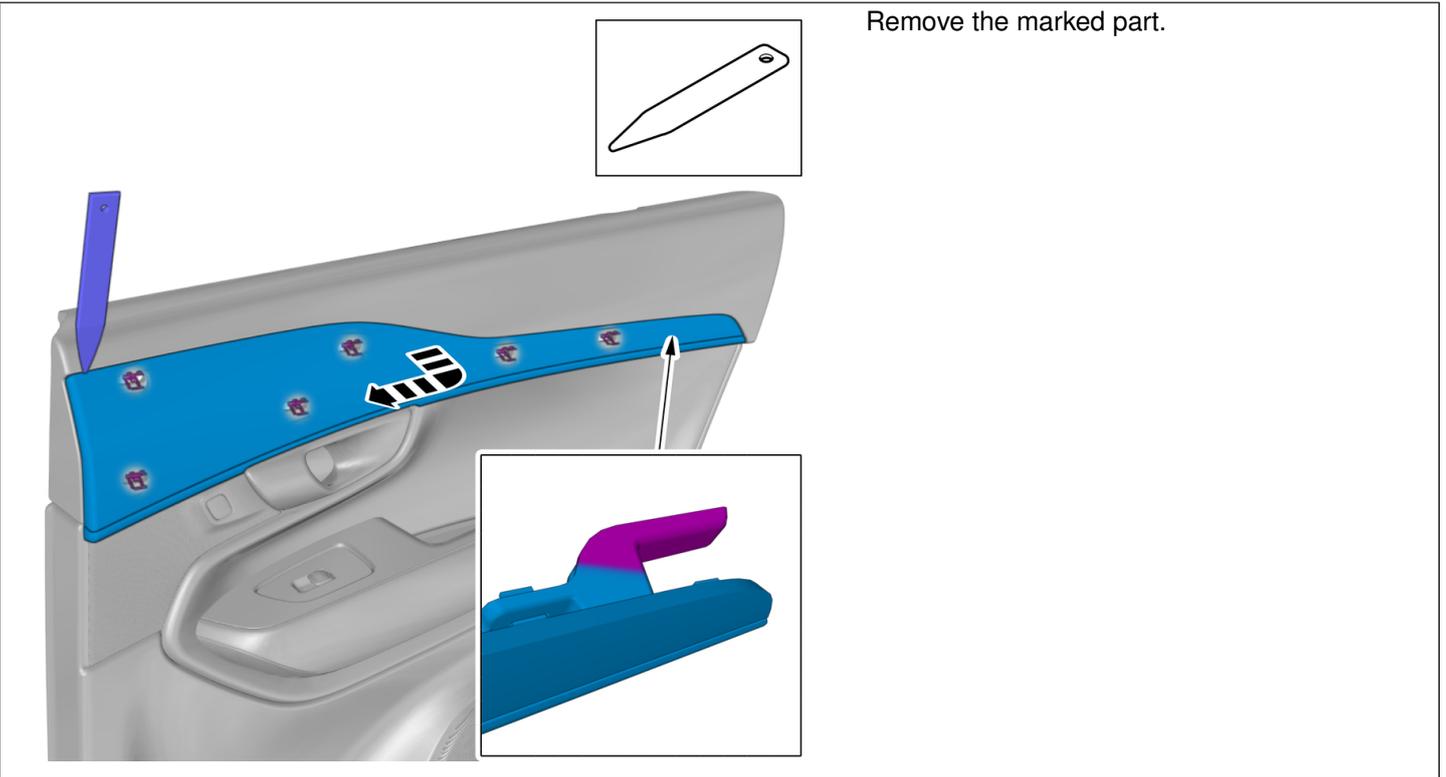


Remove the screws.

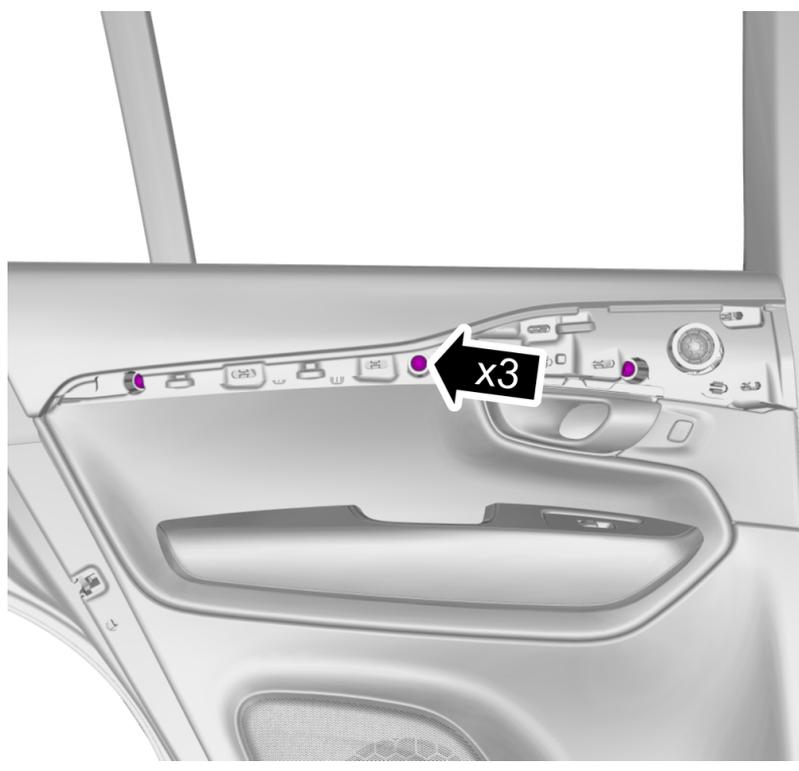


Vehicles with decor illumination





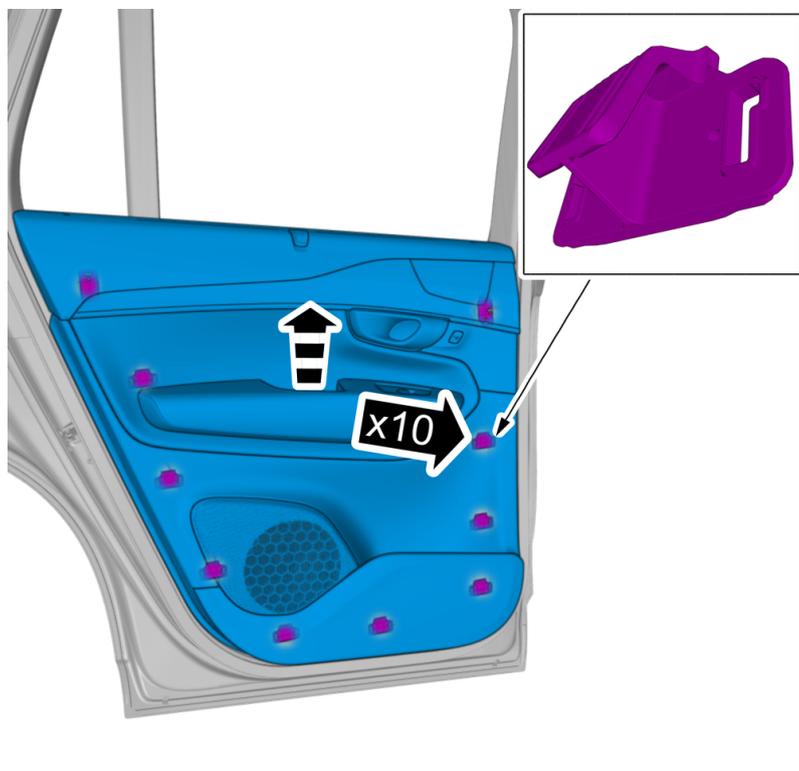
All vehicles



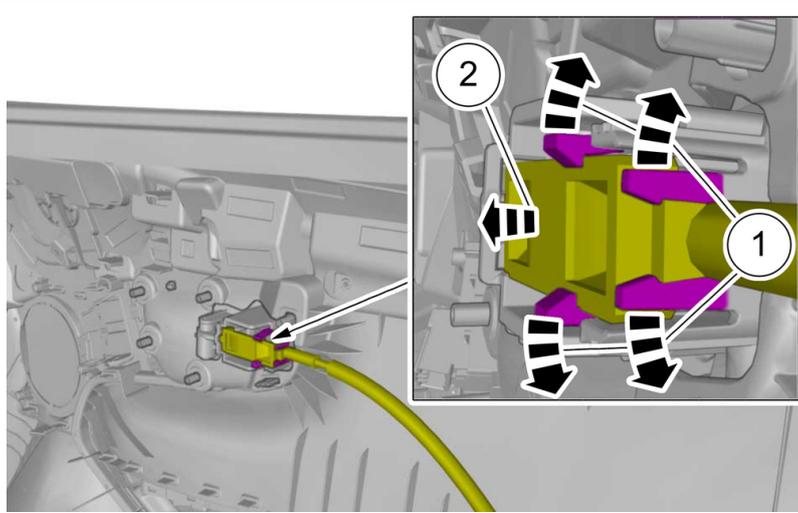
**Torque:**

M5 , 5 Nm

Remove the screws.

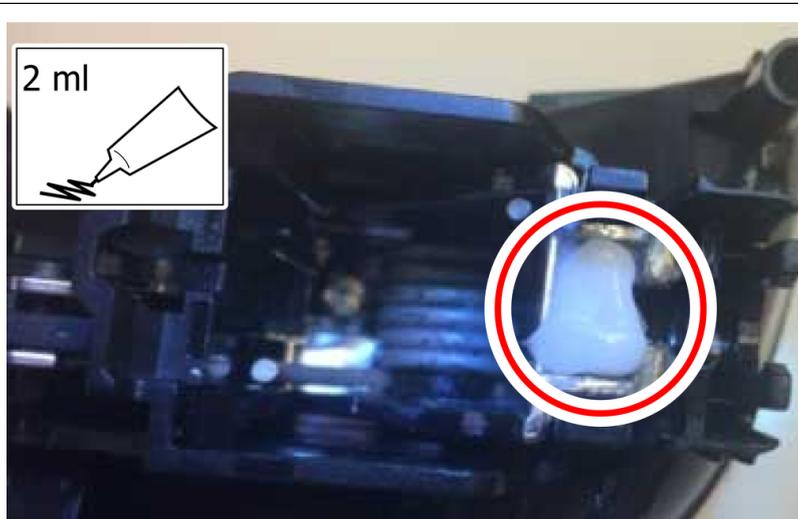
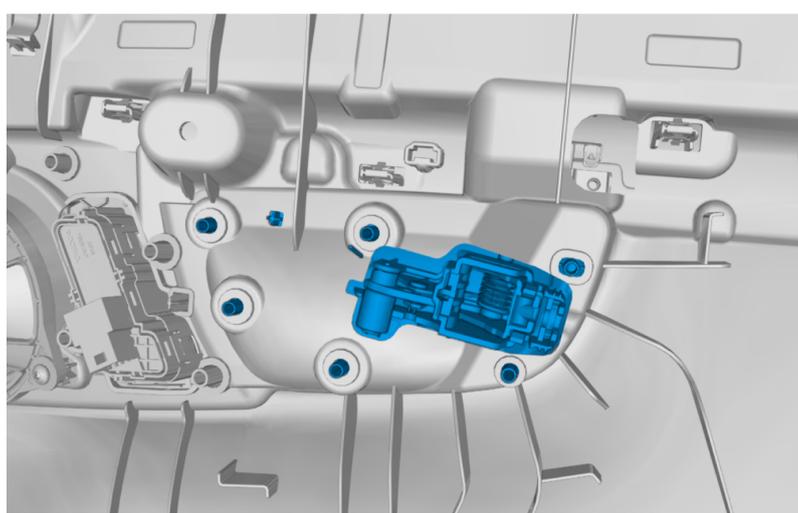


Remove the panel.



Release the catches.  
Fold marked part to one side.

Orientation view



Apply the stated Material on the marked surface.

**Installation**

To install, reverse the removal procedure.