



Technical Journal

TITLE:

Side door rear, water intrusion

REF NO: TJ 31542.7.0	ISSUING DEPARTMENT: Technical Service	CAR MARKET: United States and Canada	
PARTNER: 3 US 7510 Volvo Car USA		ISSUE DATE: 2017-04-28	STATUS DATE: 2017-04-28
FUNC GROUP: 8400	FUNC DESC: Outside trim parts, glass, sealing mould	Page 1 of 10	

“Right first time in Time”

Attachment

File Name	File Size
TJ 31542.pdf	1.1025 MB
TJ31542_foam_list_inspection.JPG	0.0678 MB
TJ31542_foam_list_reference.pptx	1.0201 MB

Vehicle Type

Type	Eng	Eng Desc	Sales	Body	Gear	Steer	Model Year	Plant	Chassis range	Struc Week Range
256							2016-2017		0000561-0123421	201505-201628

CSC Customer Symptom Codes

Code	Description
3S	Doors/Hard to open/From the inside
3T	Doors/Hard to open/From the outside
VF	Doors/Hard to close
R2	Doors/Water leakage/Rear side door

VST Operation Number

VST Operation Number	Description
98630-2	Scraper moulding side door adjust acc. to TJ31542



DTC Diagnostic Trouble Codes

Rows beginning with * are modified

Note! If using a printed copy of this Technical Journal, first check for the latest online version.

Text

DESCRIPTION:

VIDA: Vehicle Information and Diagnostics for Aftersales

Water may accumulate on the rear door sill. Water may come out of the lower edge of the rear doors when opening the rear doors.

SERVICE:

*Reference photo added.

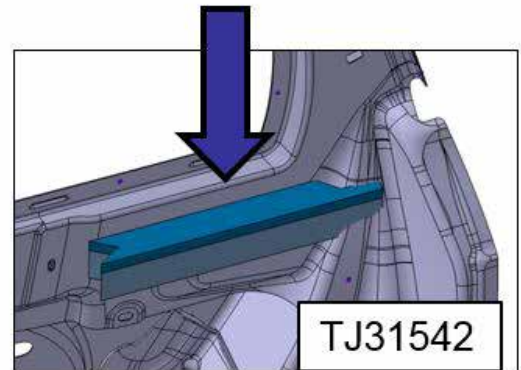
If there is a complaint of water accumulation on the rear door sill, follow the attached service instructions and verify if problem is solved.

If it's still leaking, it's recommended to inspect the foam piece inside the door so its installed correctly according to attached picture. (see VIDA for Q glass removal).

VEHICLE REPORT:

Yes, please submit a Vehicle Report if the service solution described in this TJ has no effect. Use concern area "Vehicle Report" and sub concern area "Support not needed", use function group 8400.

To view TJ attachment continue to next page. This TJ has three attachments.





Volvo Car Customer Service

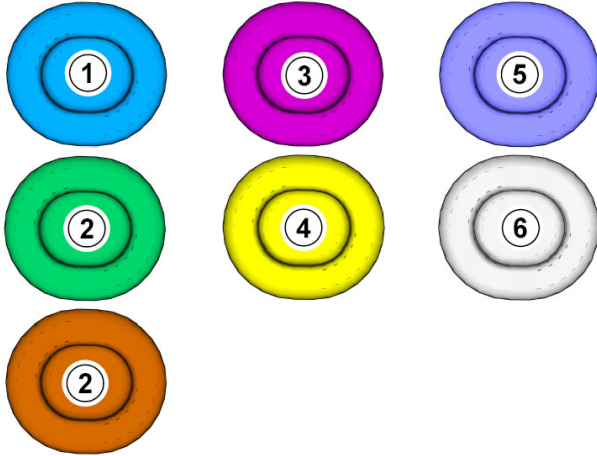
TJ 31542

Title	Weatherstrip, door window, rear	Page	1 (5)
Action	Adjustment	Operation number:	98630-2

Affected vehicles

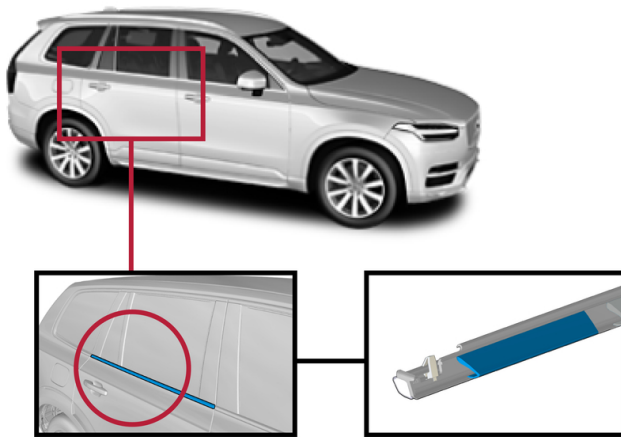
Model year	Model
2016, 2017	XC90

Color symbols

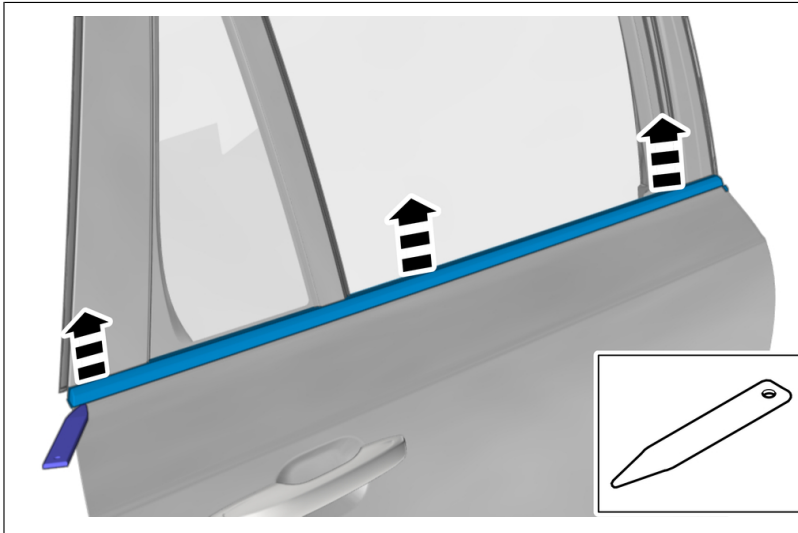


Note! This colour chart displays (in colour print and electronic version) the importance of the different colours used in the images of the method steps.

- 1 . Used for focused component, the component with which you will do something.
- 2 . Used as extra colors when you need to show or differentiate additional parts.
- 3 . Used for attachments that are to be removed/installed. May be screws, clips, connectors, etc.
- 4 . Used when the component is not fully removed from the vehicle but only hung to the side.
- 5 . Used for standard tools and special tools.
- 6 . Used as background color for vehicle components.



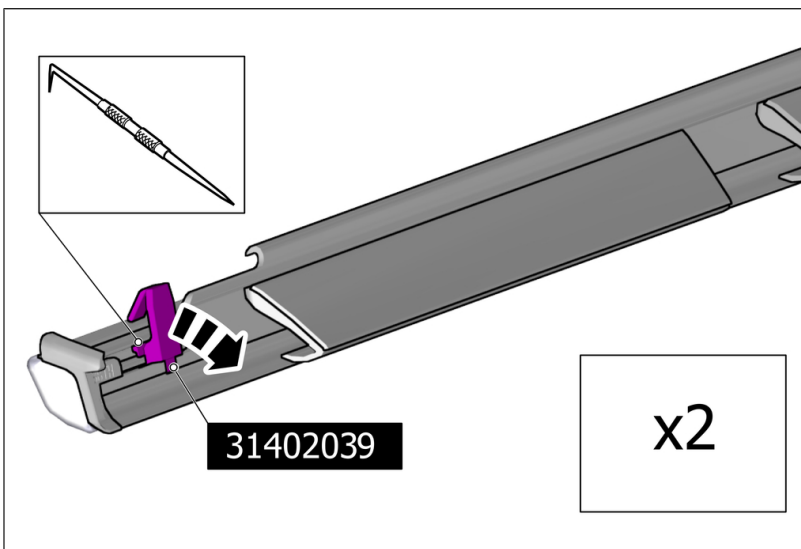
Removal



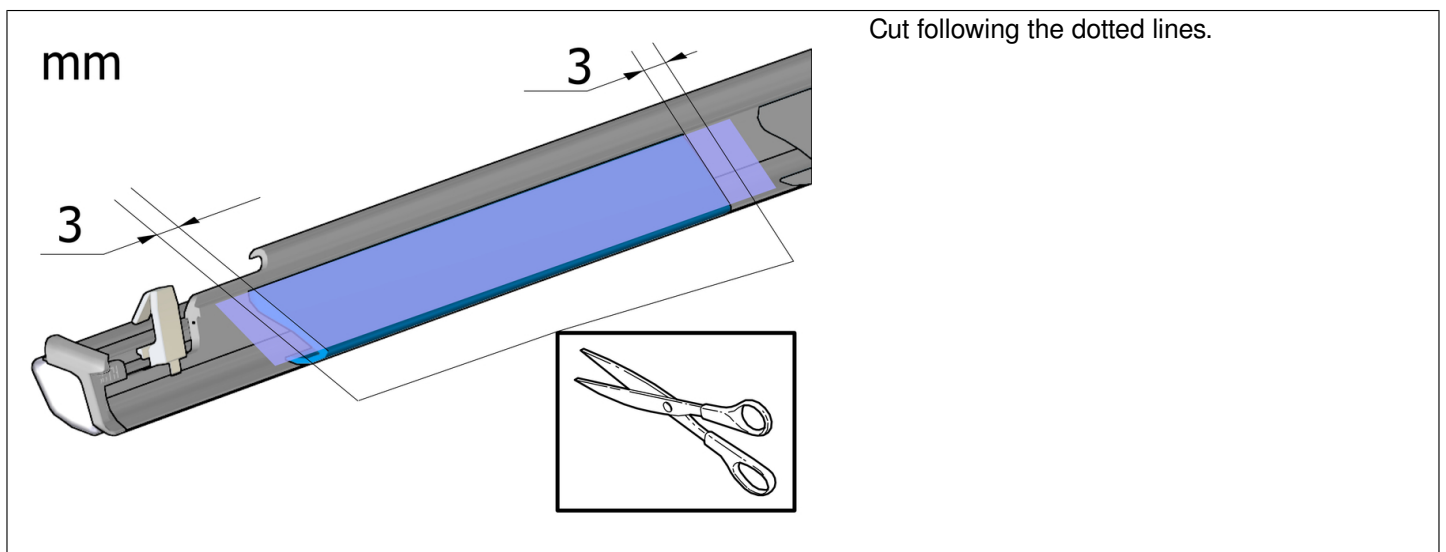
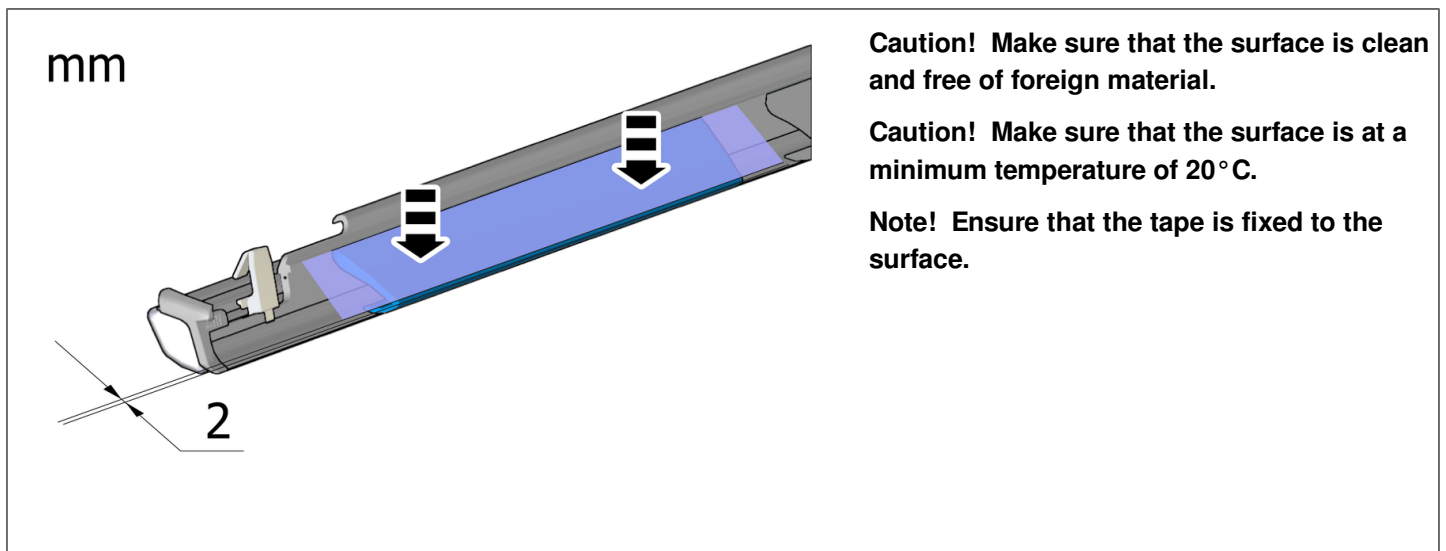
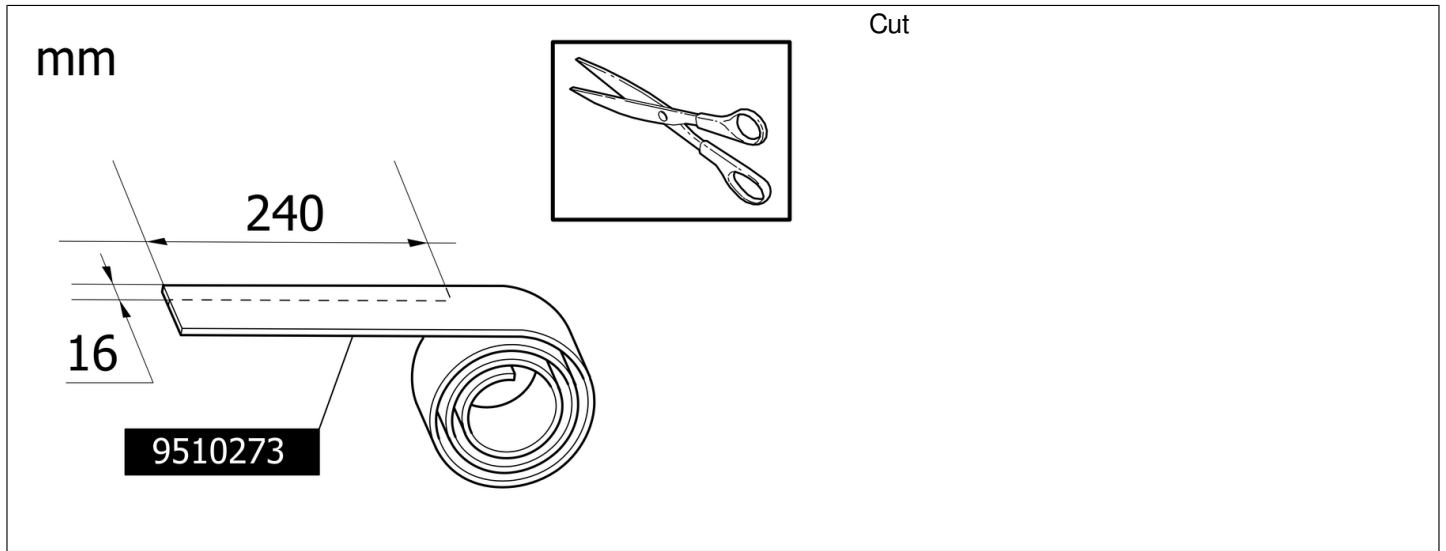
Caution! Make sure that the component is not bent.

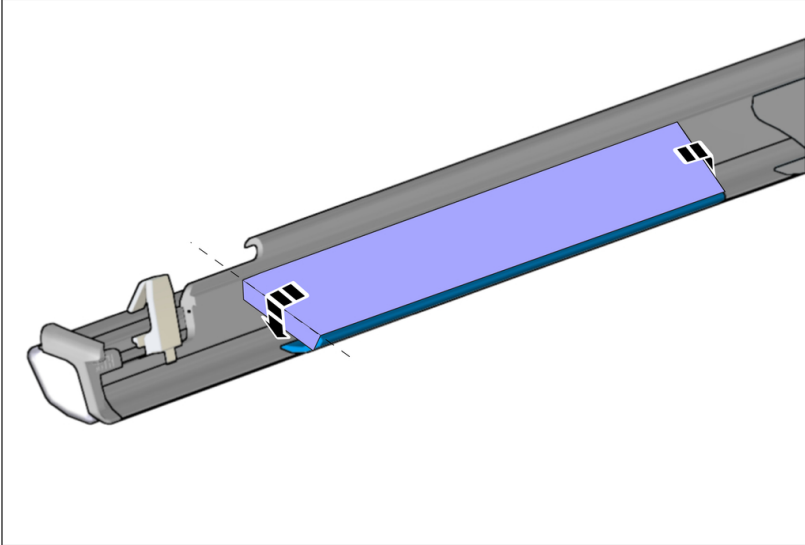
Remove the marked part.
On both sides.

Installation

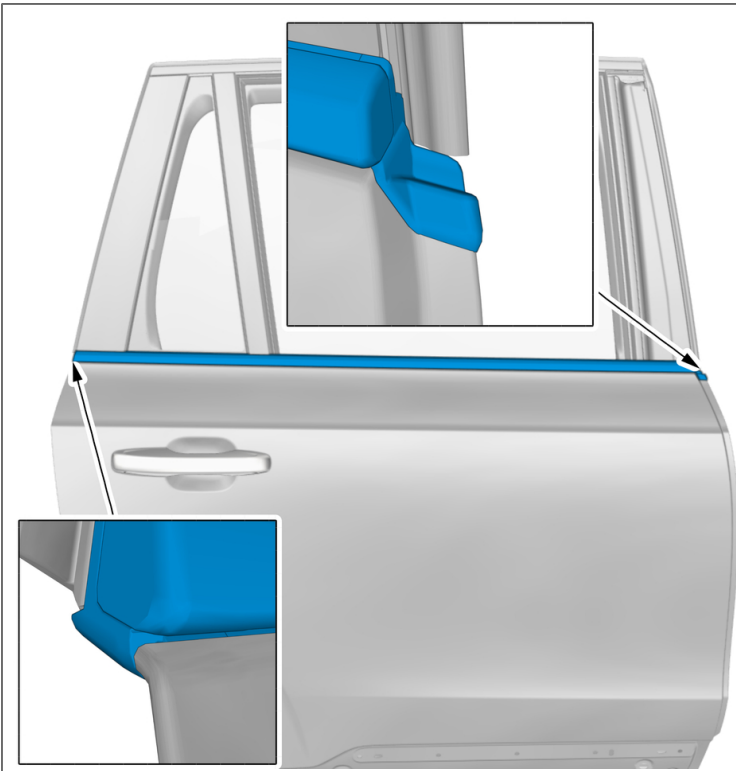


Make sure to replace the marked component with a new.





Note! Make sure that the tape has not detached from the edges of the component.



Caution! Take extra care when handling the component.



1

TJ31542

