



Technical Journal

TITLE:

Luggage cover, squeaking noise

REF NO: TJ 32361.1.1	ISSUING DEPARTMENT: Technical Service	CAR MARKET: United States and Canada	
PARTNER: 3 US 7510 Volvo Car USA		ISSUE DATE: 2017-03-02	STATUS DATE: 2017-03-14
FUNC GROUP: 8827	FUNC DESC: Partition wall; drivers shield	Page 1 of 7	

“Right first time in Time”

Attachment

File Name	File Size
TJ 32361.pdf	1.4018 MB

Vehicle Type

Type	Eng	Eng Desc	Sales	Body	Gear	Steer	Model Year	Plant	Chassis range	Struc Week Range
235							2017-9999		0000160-0999999	201624-999952
236							2017-9999		0000098-0999999	201646-999952

CSC Customer Symptom Codes

Code	Description
3F	Trunk and cargo/Unusual noise

VST Operation Number

VST Operation Number	Description
98665-2	Cargo net adjust acc. to TJ32361

DTC Diagnostic Trouble Codes

Text

**DESCRIPTION:**

When driving on even or uneven roads a squeaking noise may be heard from the luggage cover.

SERVICE:

Follow repair method "TJ 32361.pdf".

VEHICLE REPORT:

Yes, please submit a Vehicle Report if the service solution described in this TJ has no effect. Use concern area "Vehicle Report" and sub concern area "Support not needed", use function group 8827.

To view TJ attachment continue to next page. This TJ has one attachment.



Volvo Car Customer Service

TJ 32361

Title	Luggage cover	Page	1 (5)
Action	Product fix	Operation number:	98665-2

Affected vehicles

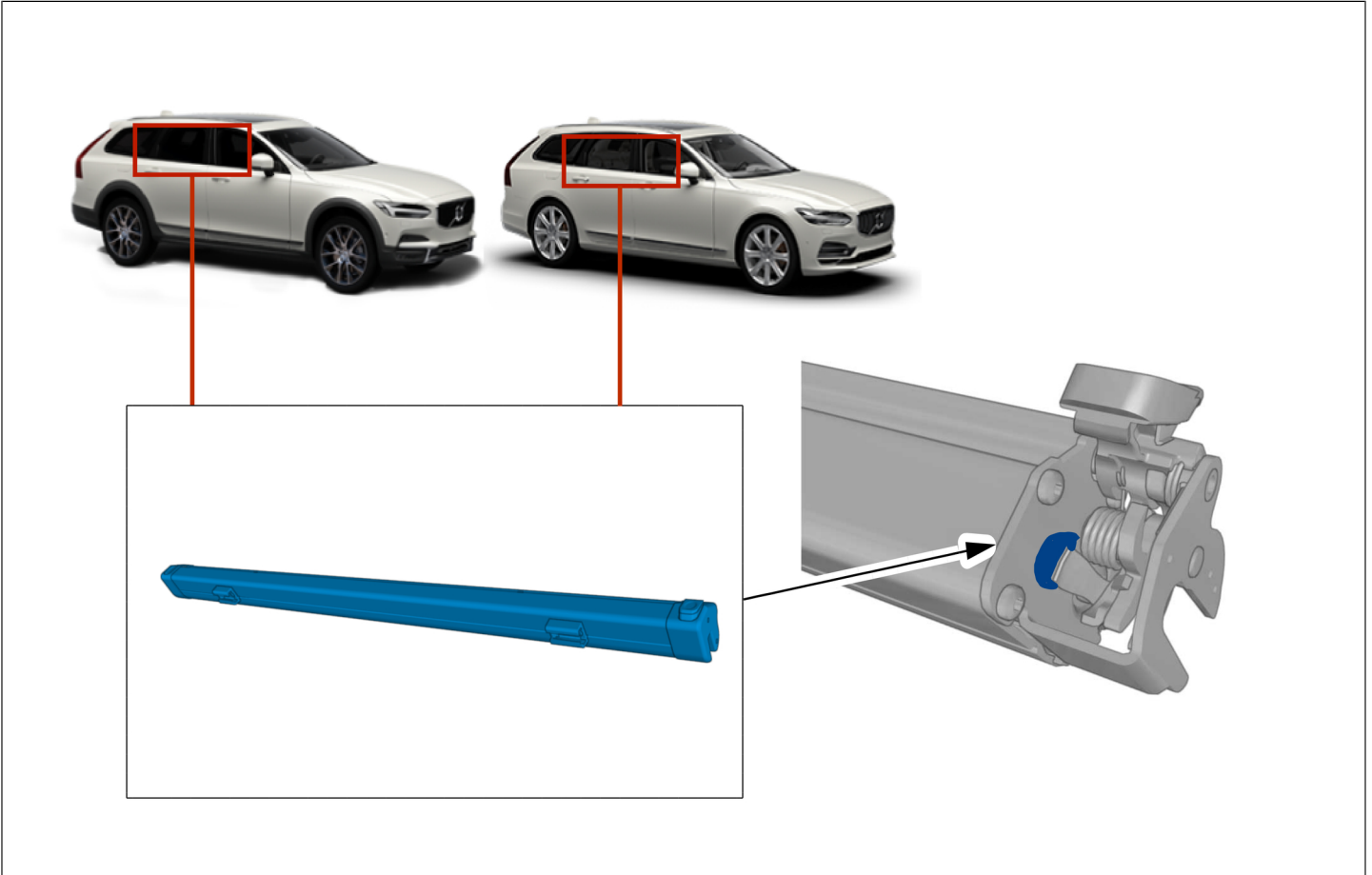
Model year	Model
2017	V90 (17-)
2017	V90 Cross Country

Materials

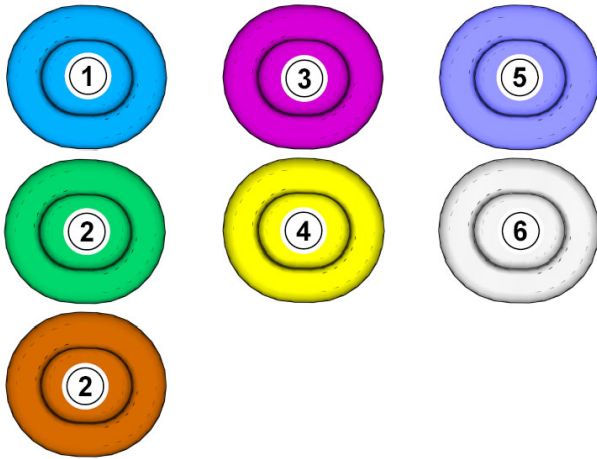
Materials	Qty.	Part No.	Notes
Grease, splines joint	1.0	31437986	US, CDN;

Removal

Note! Removal steps in this procedure may contain installation details.

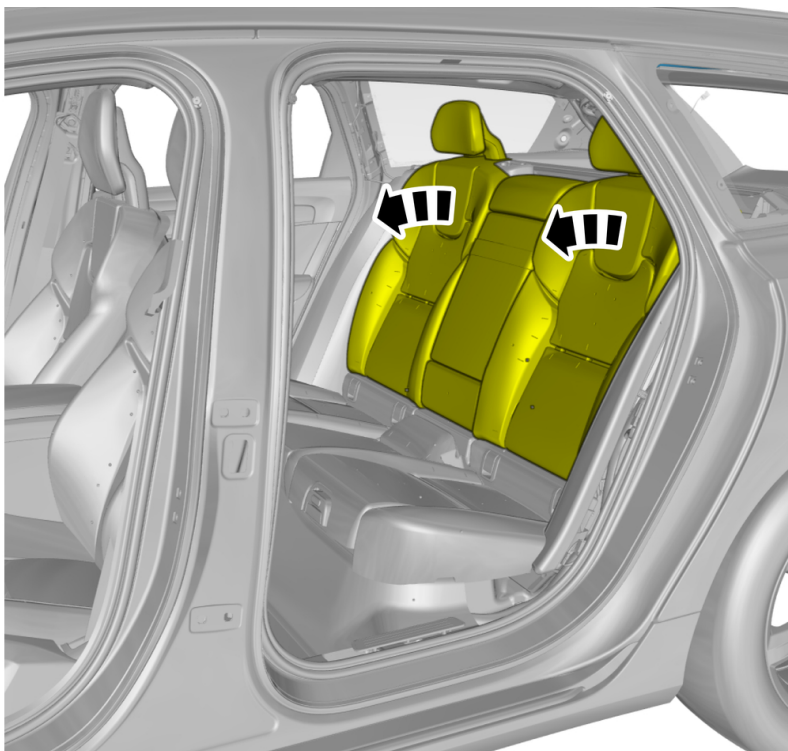


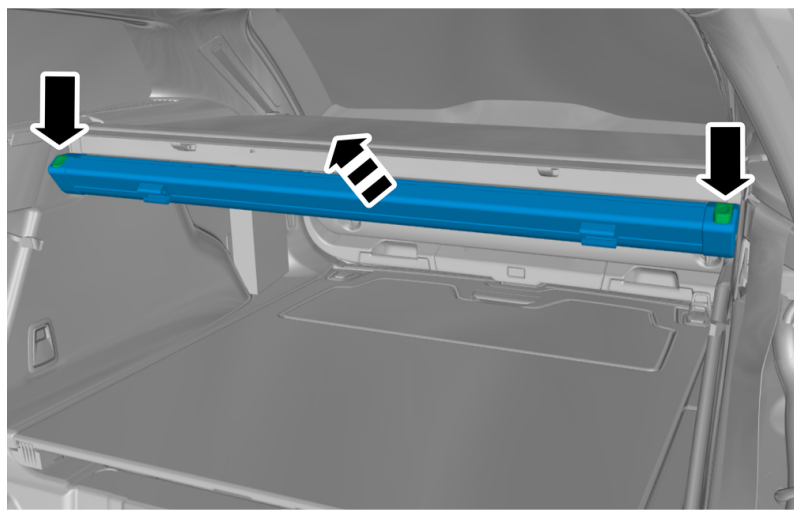
Color symbols



Note! This colour chart displays (in colour print and electronic version) the importance of the different colours used in the images of the method steps.

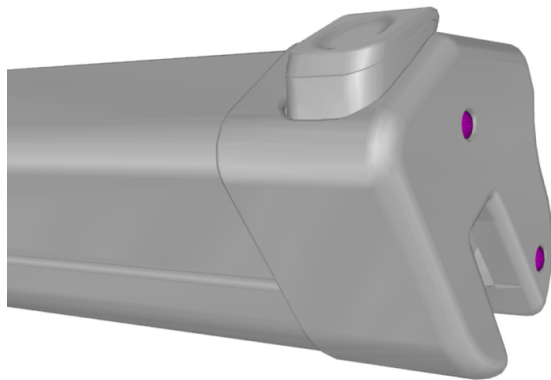
- 1 . Used for focused component, the component with which you will do something.
- 2 . Used as extra colors when you need to show or differentiate additional parts.
- 3 . Used for attachments that are to be removed/installed. May be screws, clips, connectors, etc.
- 4 . Used when the component is not fully removed from the vehicle but only hung to the side.
- 5 . Used for standard tools and special tools.
- 6 . Used as background color for vehicle components.



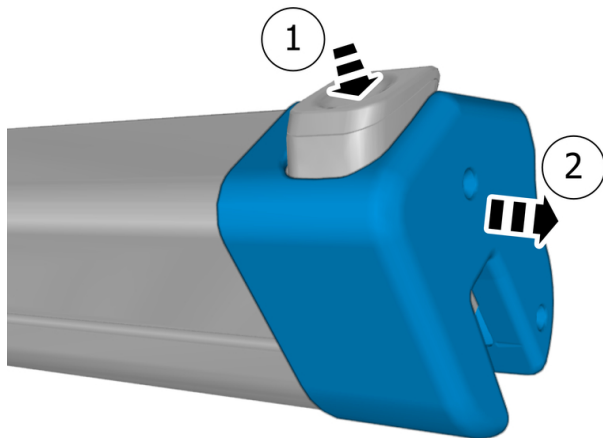


Release the locks.
Remove the marked part.

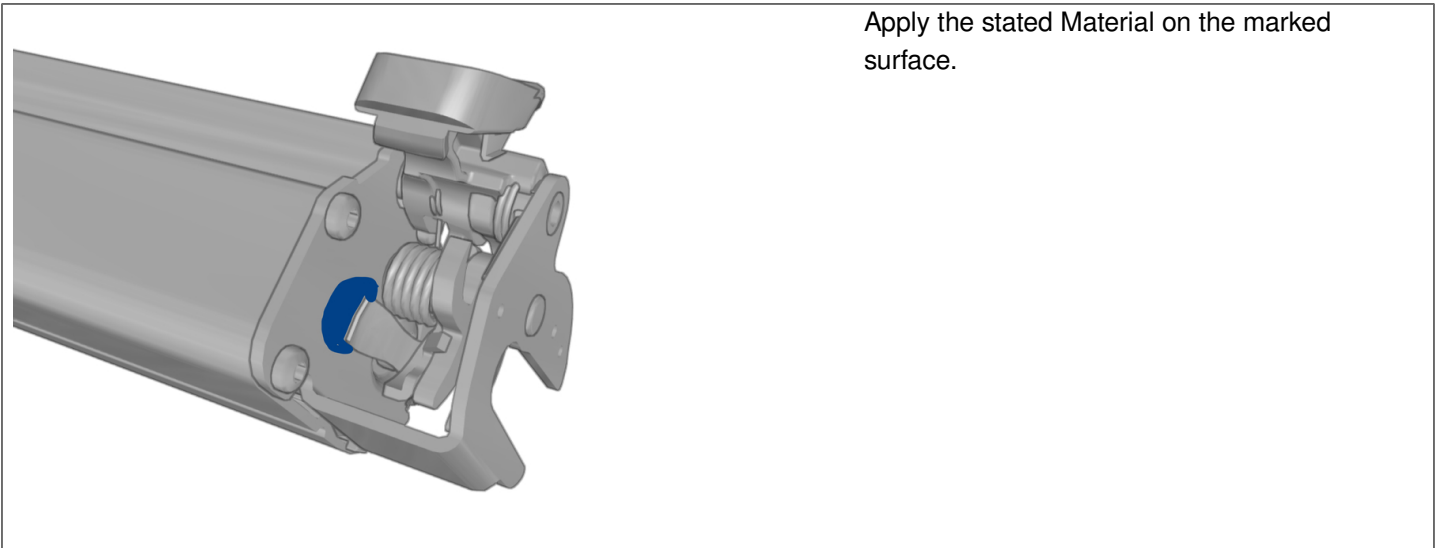
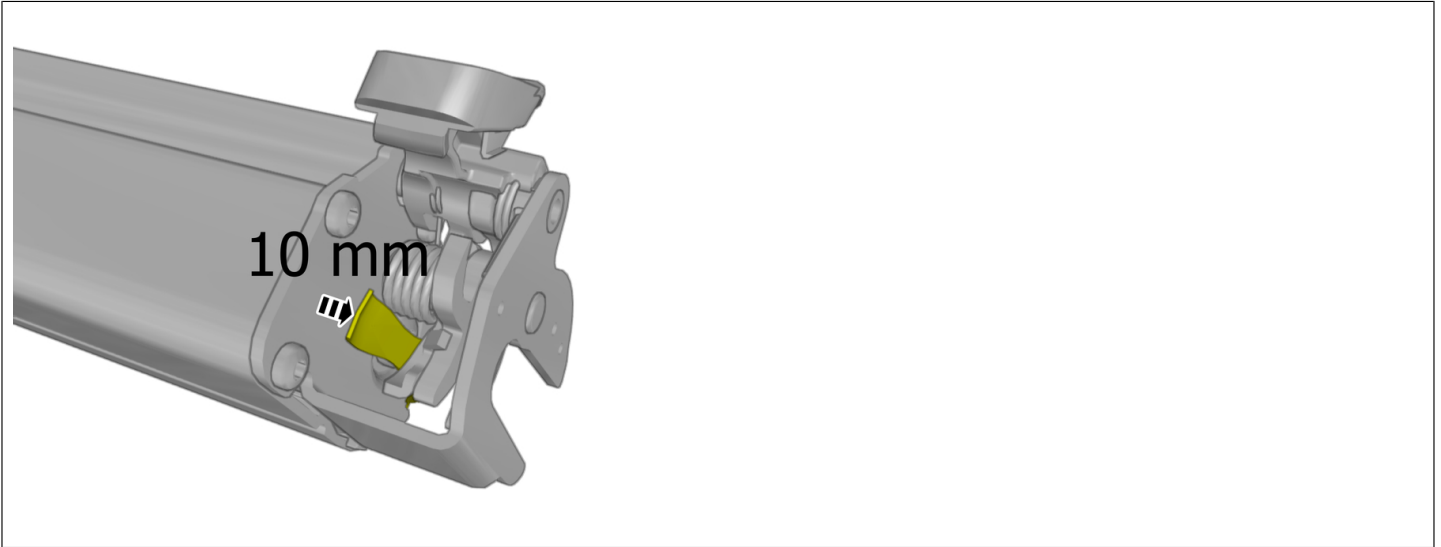
On both sides.



Remove the screws.



Remove the marked part.



Apply the stated Material on the marked surface.

Installation

To install, reverse the removal procedure.