



Technical Journal

TITLE:

Prior Approval: Si6 PZEV Engine Code 96 Excessive oil consumption

REF NO: TJ 28530.3.0	ISSUING DEPARTMENT: Technical Service	CAR MARKET: United States and Canada	
PARTNER: 3 US 7510 Volvo Car USA		ISSUE DATE: 2017-02-03	STATUS DATE: 2017-02-17
FUNC GROUP: 2100	FUNC DESC: Engine	Page 1 of 8	

“Right first time in Time”

Attachment

File Name	File Size
TJI-475925-1_1_2_en-US.pdf	0.9871 MB
Tp-18644_Specifications_Oil volume.pdf	1.4153 MB

Vehicle Type

Type	Eng	Eng Desc	Sales	Body	Gear	Steer	Model Year	Plant	Chassis range	Struc Week Range
124	96	B6324S2					2010-2010	21	0113000-0134000	200920-201019
135	96	B6324S2					2010-2010	21	0118000-0167000	200920-201019
136	96	B6324S2					2010-2010	21	0074000-0094000	200920-201019
156	96	B6324S2					2010-2010	22	0050000-0135000	200920-201019

CSC Customer Symptom Codes

Code	Description
AZ	Lubrication and oil system/Excessive oil consumption
BU	Lubrication and oil system/Incorrect fluid level

VST Operation Number

VST Operation Number	Description
36004-2	Software control module downloading
98518-2	Splash guard pan replace acc. to TJ 28530
22298-2	Decal engine compartment install



DTC Diagnostic Trouble Codes

Rows beginning with * are modified

Note! If using a printed copy of this Technical Journal, first check for the latest online version.

Text

***Changed distribution list.**

DESCRIPTION:

Customer may experience unexpected engine oil consumption, the yellow warning symbol may be lit and the "Engine oil level low" message may be displayed.

PRODUCT MODIFICATION:

This variant must be updated with actions under "SERVICE" below.

MATERIAL RETURN:

Only after request in Vehicle Report.

VEHICLE REPORT:

Only if operations below doesn't solve the concern. Use concern area "Vehicle Report" and sub concern area "Support Needed".

SERVICE:

Replace oil pan splash plate and engine oil dip stick (included in kit, P/N 31430378) according to attached instruction, TJI-475925-1.

Unique Software Products (SP) has been developed for this aftermarket solution.

- SP P/N 31441072 for S80, V70 and XC70.
- SP P/N 31441073 for XC60.

NOTE! Upgrade of ECM SW with these P/N is important to get correct oil level calibration to new dip stick.

Attached pdf file, "Tp-18644_Specifications_Oil volume.pdf", must be printed and Owner's Manual updated.

VSTG OPERATION NUMBER:

98518-2 Splash guard pan replace acc. to TJ 28530

36004-2 Software control module downloading

To view TJ attachment continue to next page. This TJ has two attachments.



Volvo Car Customer Service

TJ Instruction VCC-475925-1

Title	Oil Level, adjustment	Page	1 (4)
Action	Product fix	Operation number:	36004-2 98518-2

Issue	Date	Reason
1	2014-07	First issue

Affected vehicles

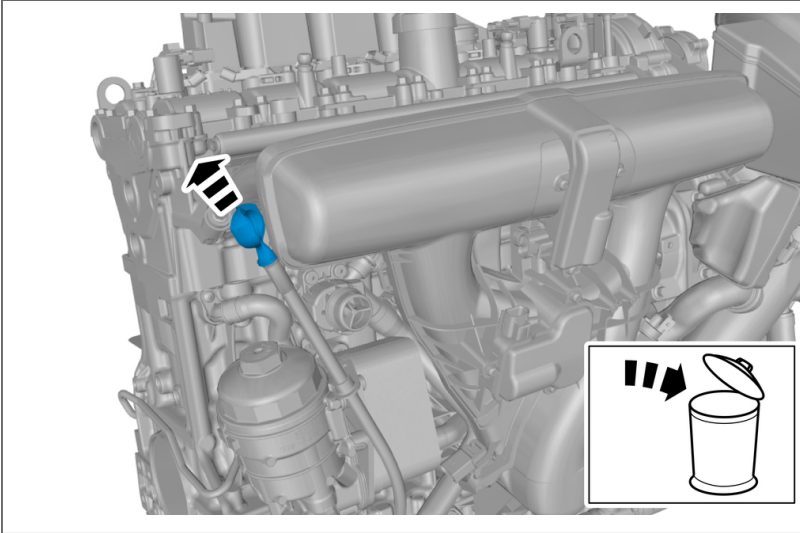
Model year	Model	Engine	Chassis
2010	S80 (07-)	B6324S2	113000-134000
2010	V70 (08-)	B6324S2	118000-167000
2010	XC60	B6324S2	050000-135000
2010	XC70 (08-)	B6324S2	074000-094000

Materials

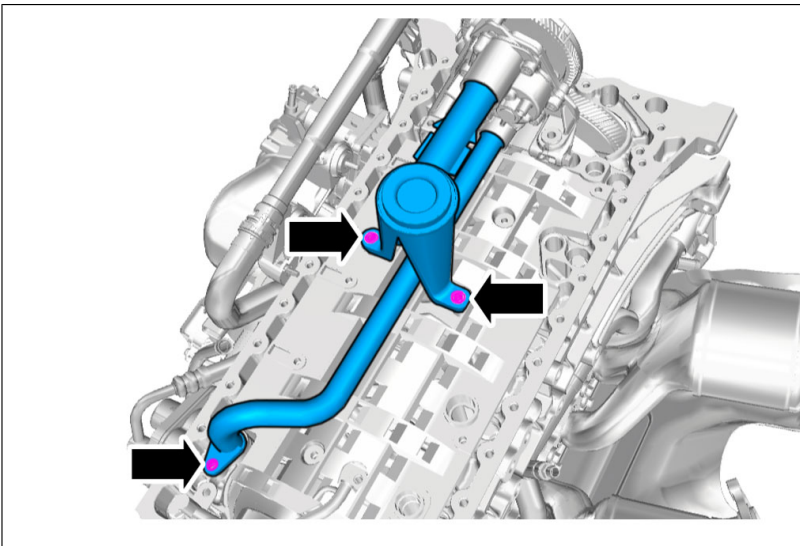
Materials	Qty.	Part No.	Notes
Isopropanol	0.2	1171721	
O-ring	1.0	8692089	
Sealing ring	1.0	30637865	
O-ring	2.0	30637867	
Filter insert	1.0	30750013	
Engine oil	3.9	31316299	
Engine oil	1.0	31316300	
Chemical gasket	1.0	08933211	
Dipstick	1.0	31430378	

Removal

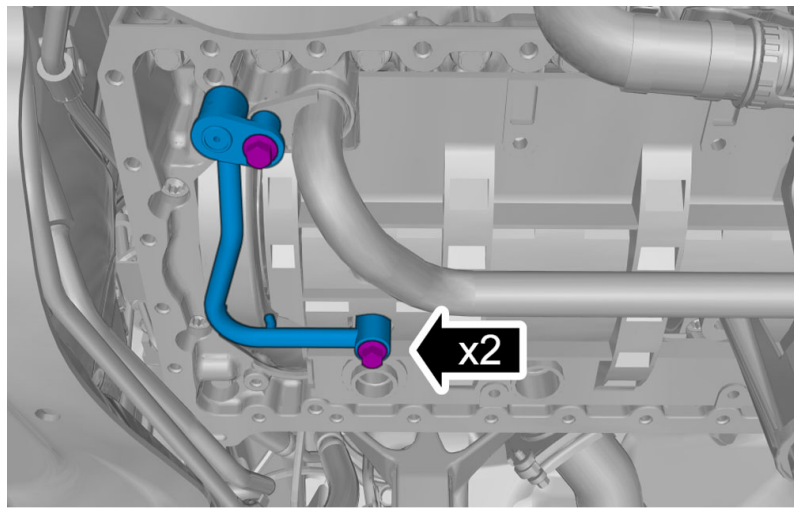
Note! Removal steps in this procedure may contain installation details.



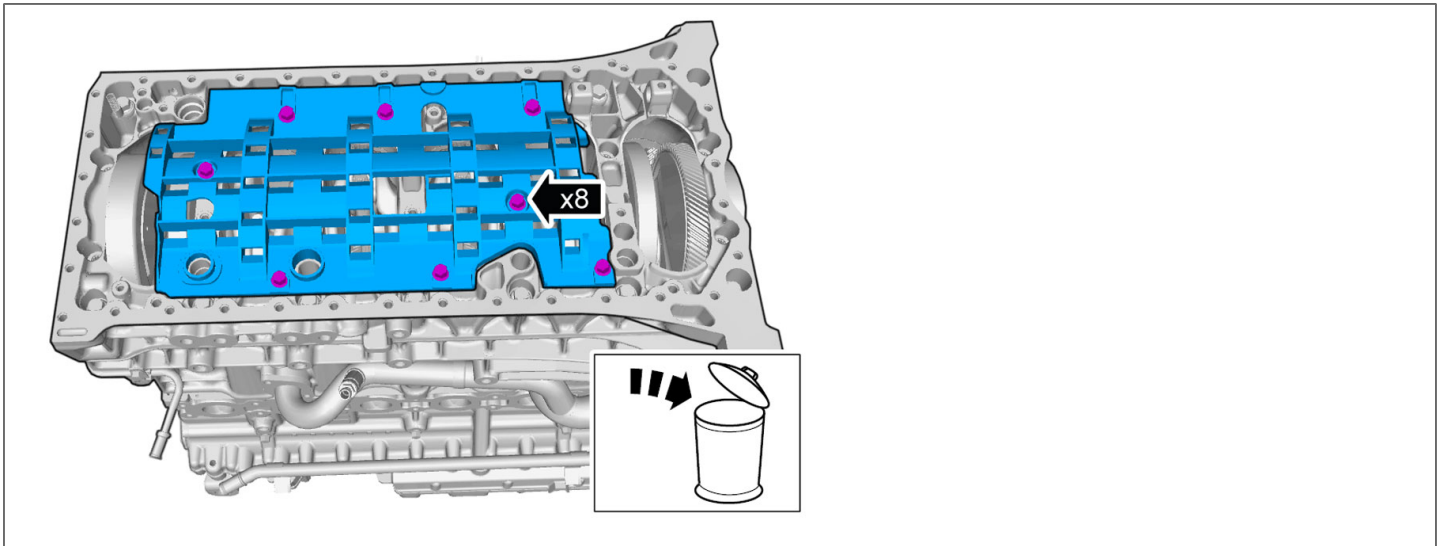
Remove oil sump , refer to:
Removal, replacement and installation
2 - Engine with mountings and equipment
21 - Engine
217 - pan



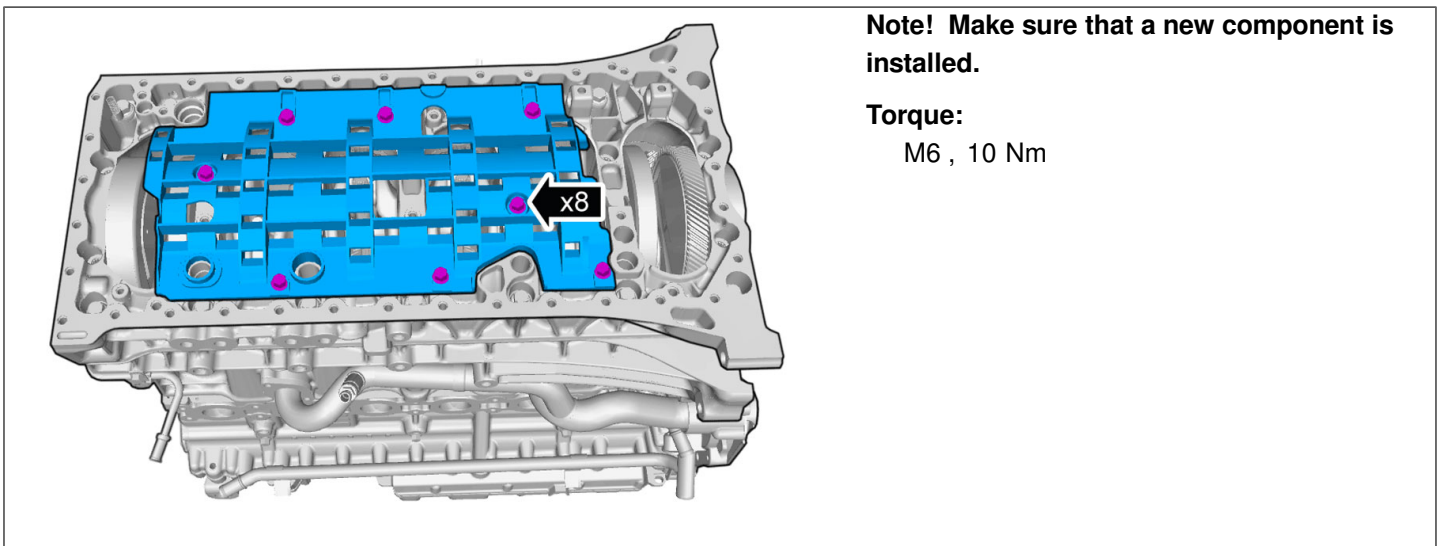
Torque:
M7 , 17 Nm



Torque:
M7 , 17 Nm



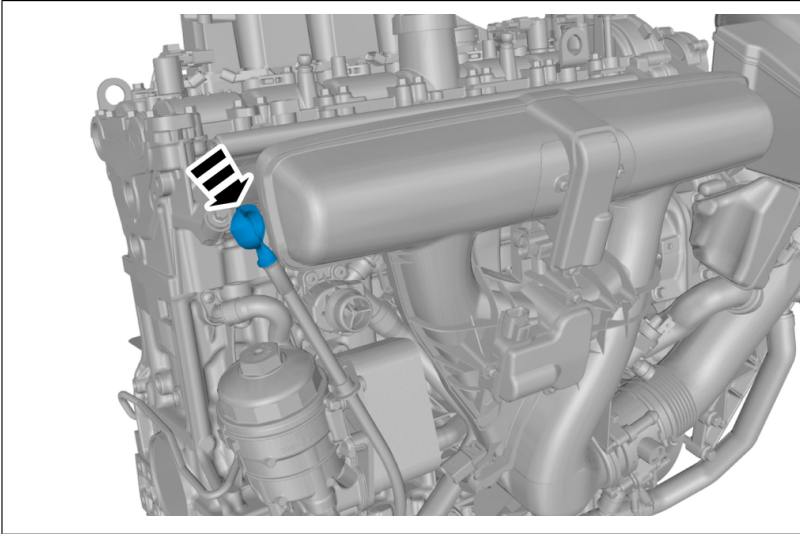
Installation



Note! Make sure that a new component is installed.

Torque:
M6 , 10 Nm

To install, reverse the removal procedure.



Note! Make sure that a new component is installed.

Order and download software according to: 31441072INDIVIDUELL CONFIGURATION

Only applies to XC60 models

Order and download software according to: 31441073INDIVIDUELL CONFIGURATION

**Optimized oil volume**

Oil volume		
Engine model	Oil volume between MIN and MAX	Volume (incl. filter)
3.2 (6-cyl.) B6324 S2	2.54 US qts (2.4 liters)	8.35 US qts (7.9 liters)
3.2 (6-cyl.) B6324 S4	2.54 US qts (2.4 liters)	8.35 US qts (7.9 liters)

