



Technical Journal

TITLE:

Seats second row, outer seats, noise

REF NO: TJ 30599.3.2	ISSUING DEPARTMENT: Technical Service	CAR MARKET: United States and Canada	
PARTNER: 3 US 7510 Volvo Car USA		ISSUE DATE: 2017-01-17	STATUS DATE: 2017-01-24
FUNC GROUP: 8530	FUNC DESC: Rear seat, passenger seat, bench	Page 1 of 12	

“Right first time in Time”

Attachment

File Name	File Size
TJ 30599.pdf	4.0092 MB

Vehicle Type

Type	Eng	Eng Desc	Sales	Body	Gear	Steer	Model Year	Plant	Chassis range	Struc Week Range
256							2016-2017		0000561-0079653	201505-201644

CSC Customer Symptom Codes

Code	Description
ZO	Rear seat/Squeak/rattle

VST Operation Number

VST Operation Number	Description
98641-2	Rear seat adjust acc. to TJ 30599

DTC Diagnostic Trouble Codes

Rows beginning with * are modified

Note! If using a printed copy of this Technical Journal, first check for the latest online version.

Text



DESCRIPTION:

*Structure week updated.

When driving on rough roads a rattling or creaking noise may come from the rear lower area, on the outer seats in the second row.

SERVICE:

* Note that the new parts in the kit must be installed or replaced even if there is a similar part mounted already.

Use attached repair method TJ 30599, use kit p/n 31447976.

Note: Observe that page 10 and onwards in the method, only applies for cars with chassis number. up to 25976. On later cars, the sliding rails has been modified.

Also observe that the Operation no is split in two variants, see Volvo standard times:

A = Ch.nr. -25976

B = Ch.nr. 25977-

VEHICLE REPORT:

Yes, please submit a Vehicle Report if the service solution described in this TJ has no effect. Use concern area "Vehicle Report" and sub concern area "Support Not Needed", use function group 8530.

To view TJ attachment continue to next page. This TJ has one attachment.



Volvo Car Customer Service

TJ 30599

Title	Rear seat, second row	Page	1 (10)
Action	Product fix	Operation number:	98641-2

Issue	Date	Reason
1	2016-09	First issue

Affected vehicles

Model year	Model
2016, 2017	XC90

Materials

Materials	Qty.	Part No.	Notes
Cleaning agent	1.0	1161721	0.05;
Tape	1.0	9511083	120mm : Wurth part 199230040
Service kit	1.0	31447976	

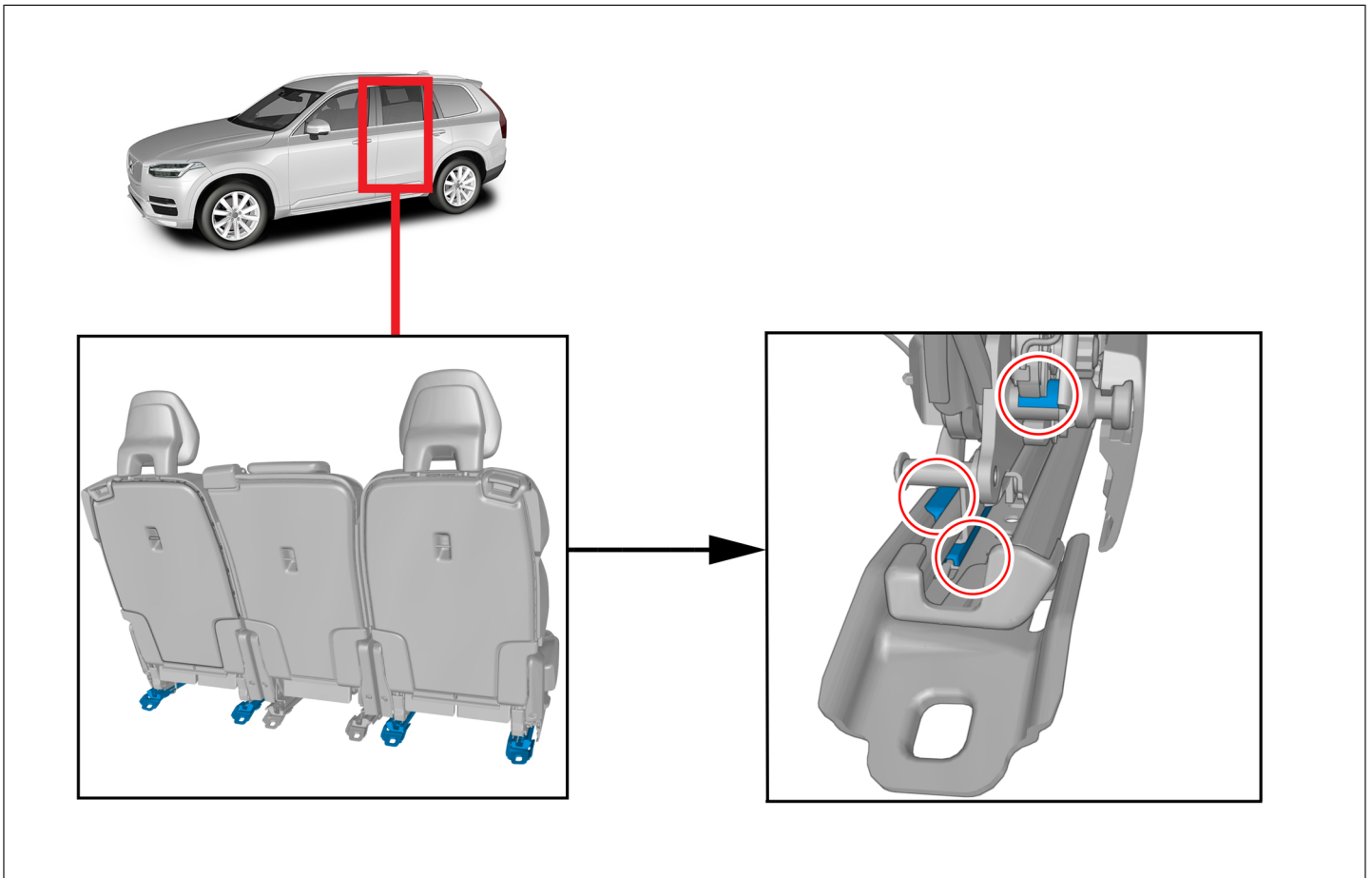
Special tools

Description	Part No.
Interior trim remover	981 4071

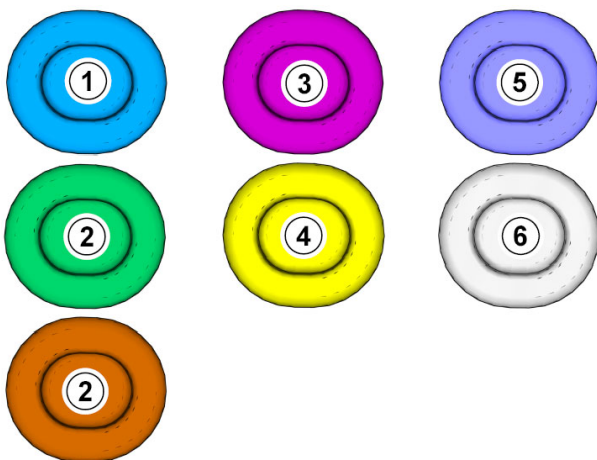
Equipment

Designation	Part No.
Tape measure	

Orientation view



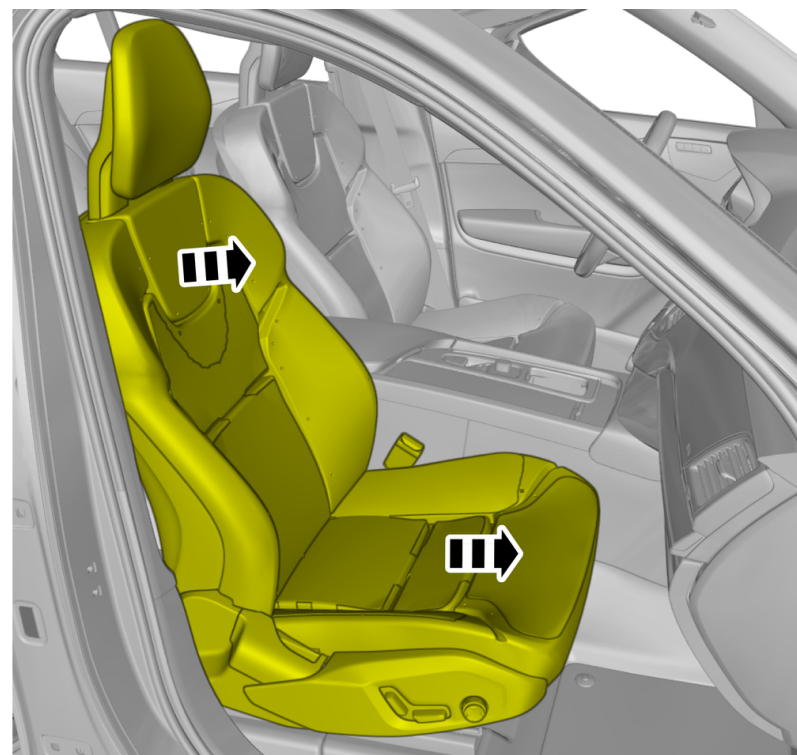
Color symbols



Note! This colour chart displays (in colour print and electronic version) the importance of the different colours used in the images of the method steps.

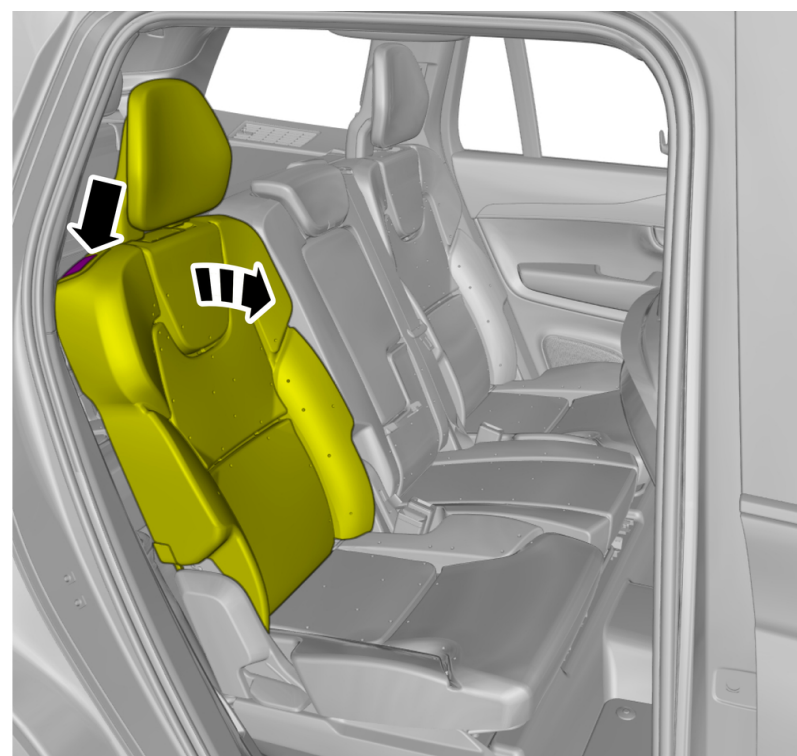
- 1 . Used for focused component, the component with which you will do something.
- 2 . Used as extra colors when you need to show or differentiate additional parts.
- 3 . Used for attachments that are to be removed/installed. May be screws, clips, connectors, etc.
- 4 . Used when the component is not fully removed from the vehicle but only hung to the side.
- 5 . Used for standard tools and special tools.
- 6 . Used as background color for vehicle components.

Vehicles with seven seats

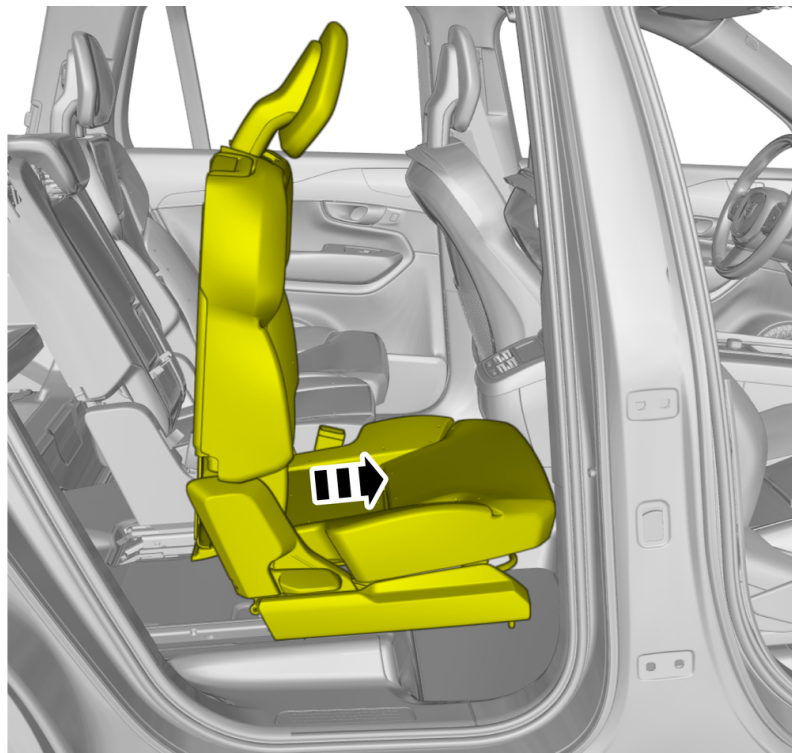


On both sides.

Concerns outer position

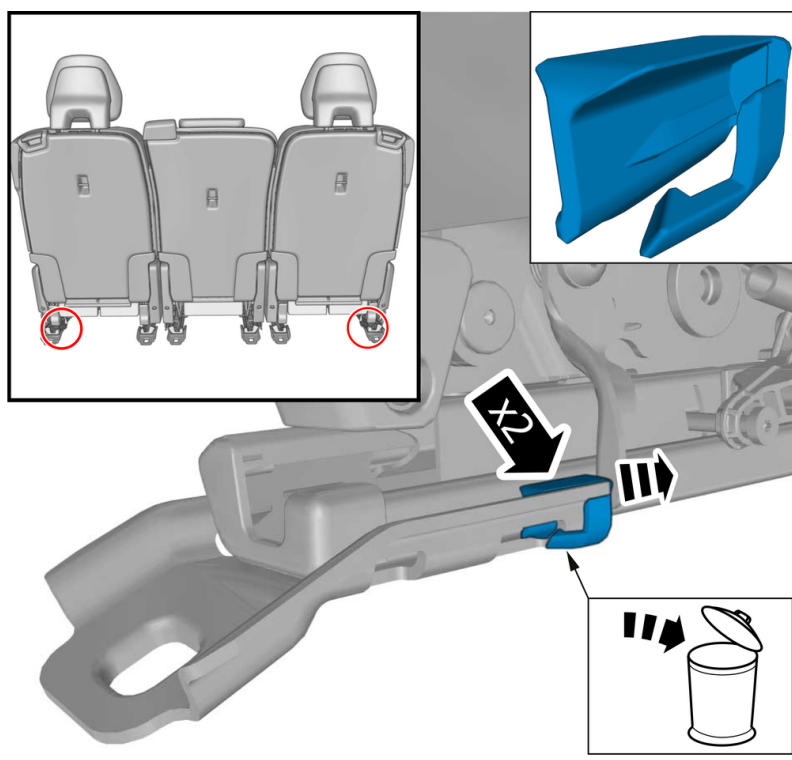


Release the lock.
On both sides.



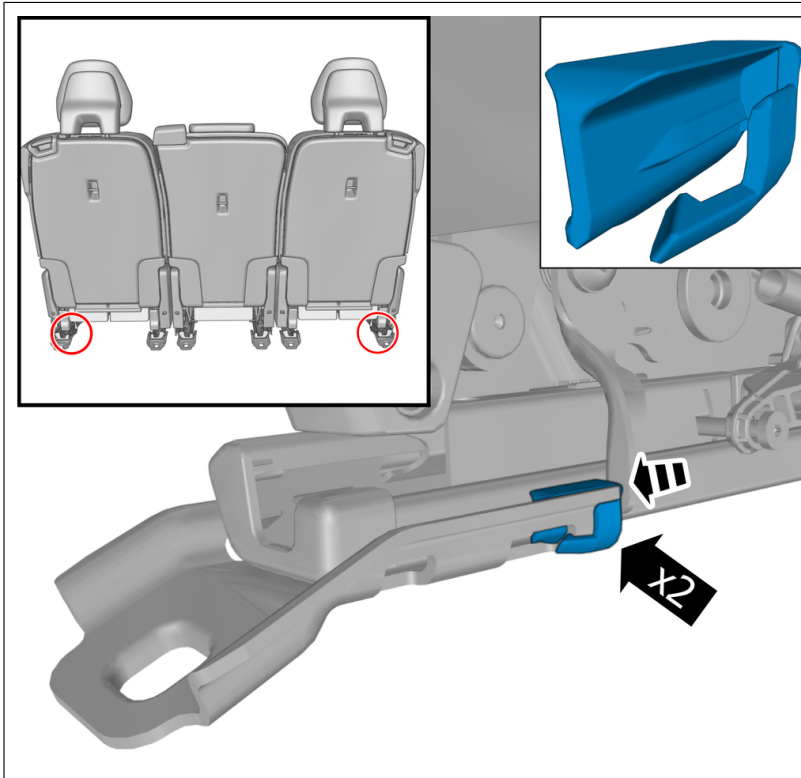
On both sides.

Removal



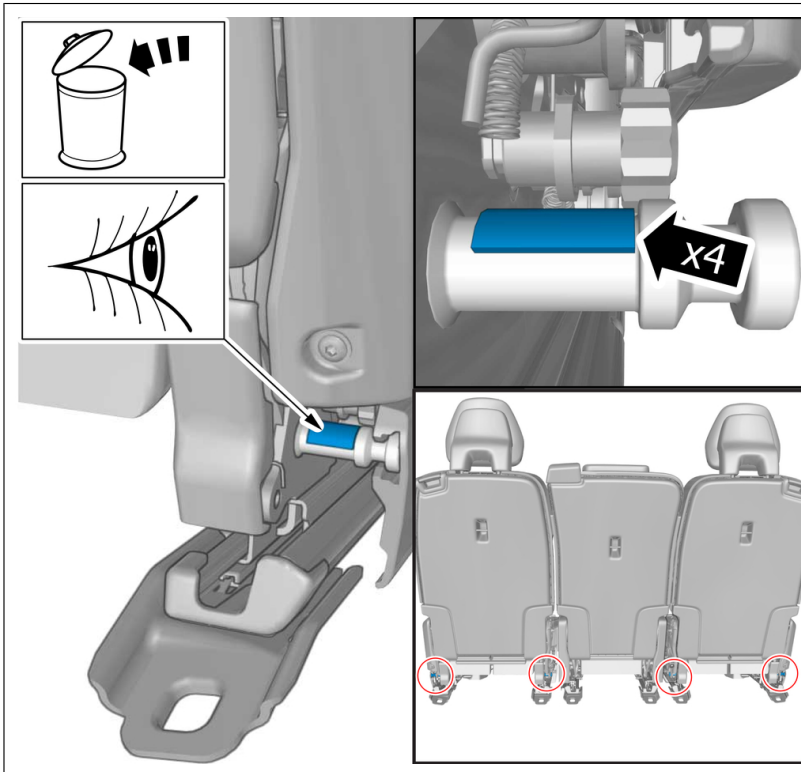
Remove the marked detail/details.

Installation

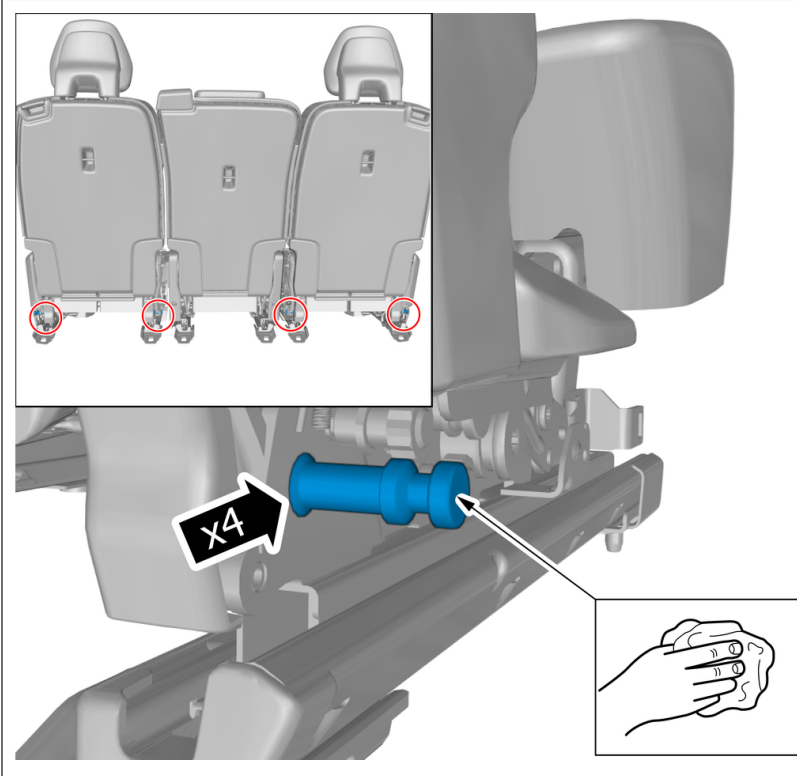


Install the marked component.
On both sides.

Removal

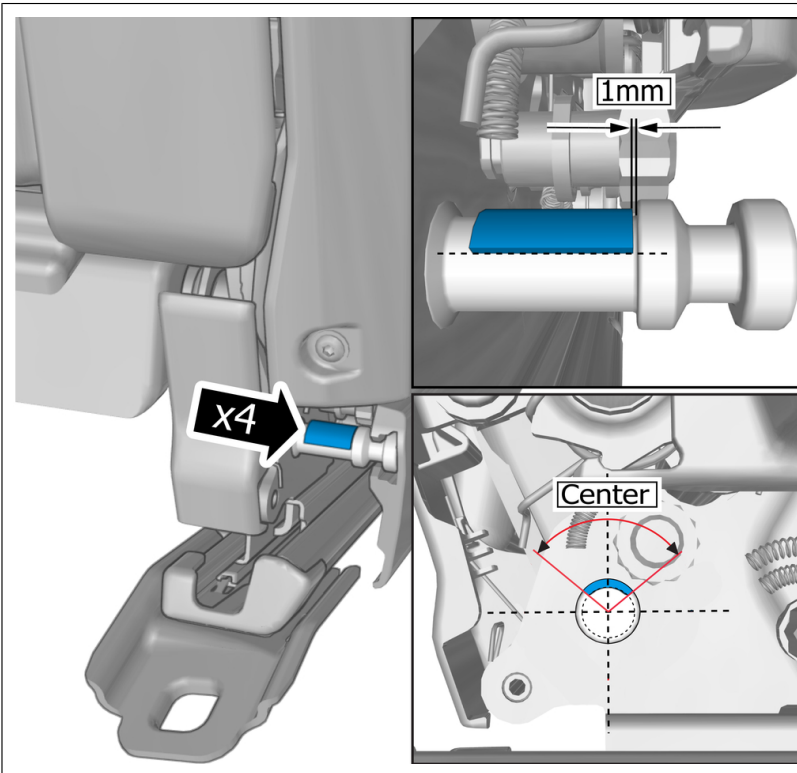


Remove the marked detail/details.



Wipe off
Use Isopropanol

Installation



Note! Make sure that the component is centred.

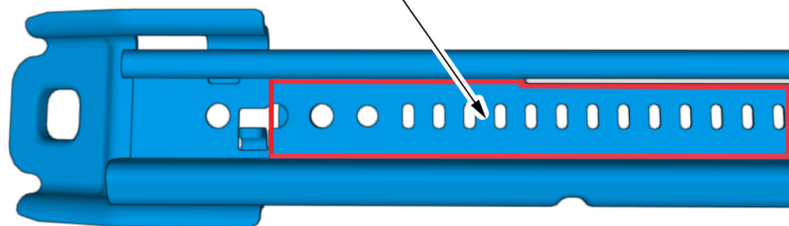
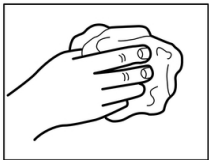
Note! Ensure that the tape is fixed to the surface.

Vehicles manufactured before chassis number 25976

Note! Orientation view

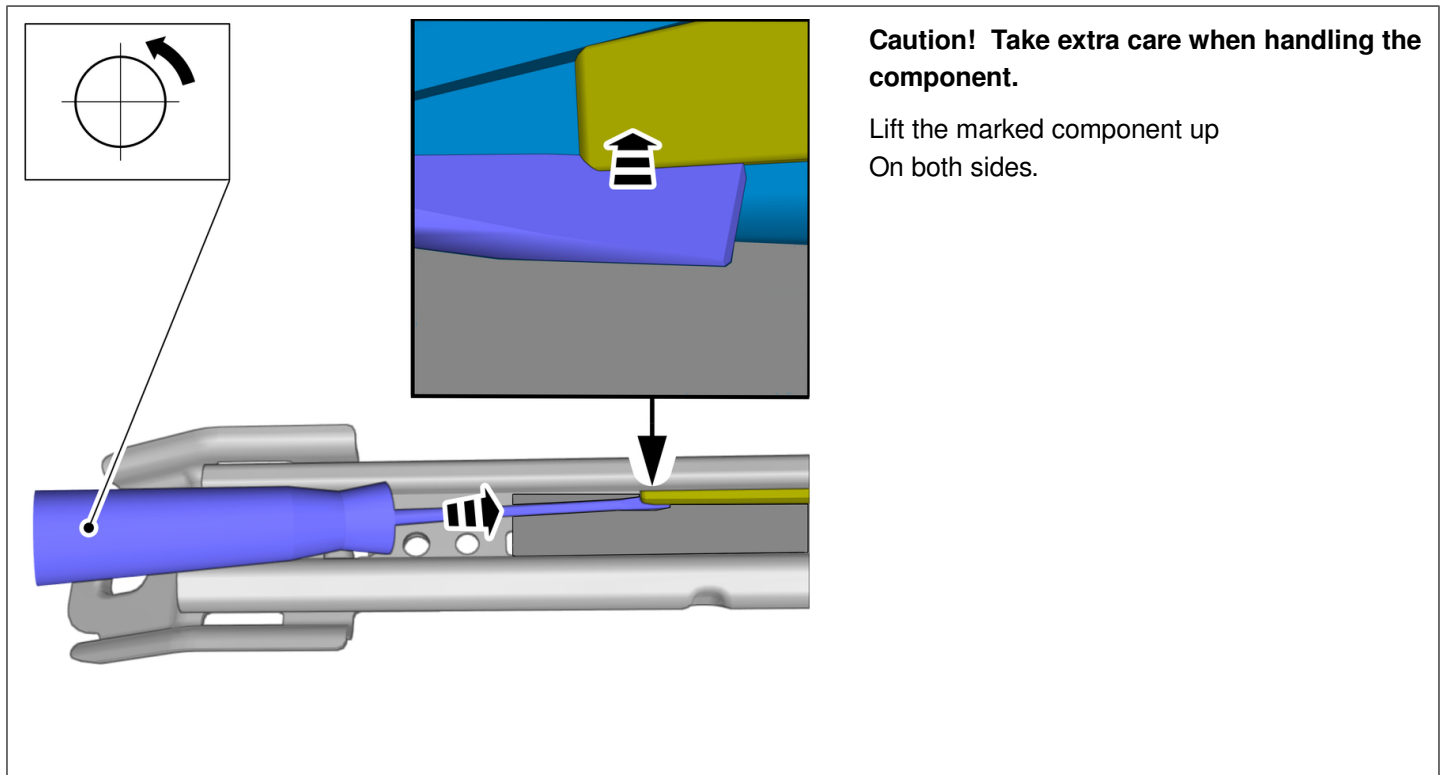
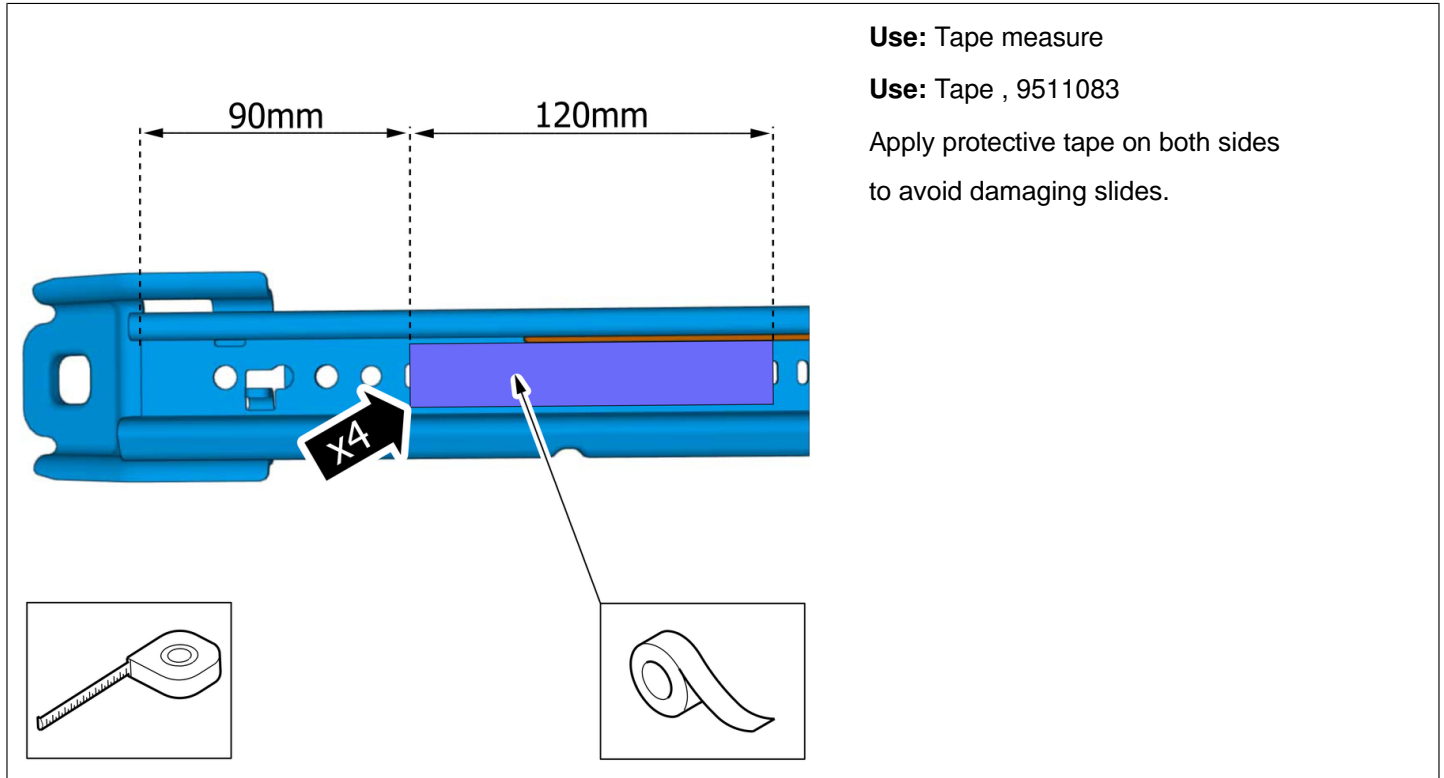


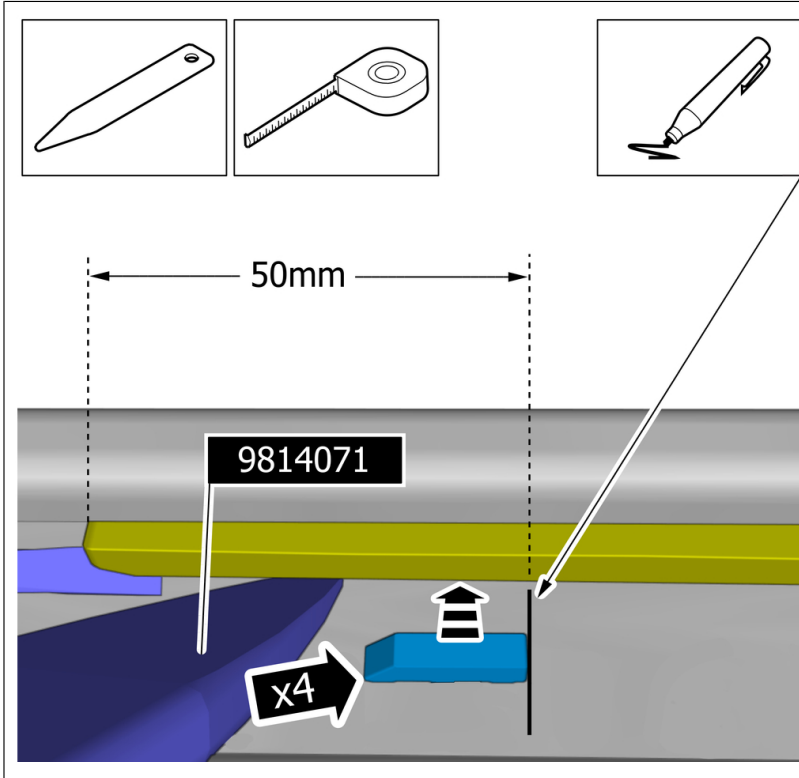
Adjustment



Clean the marked area.

Use: Cleaning agent , 1161721





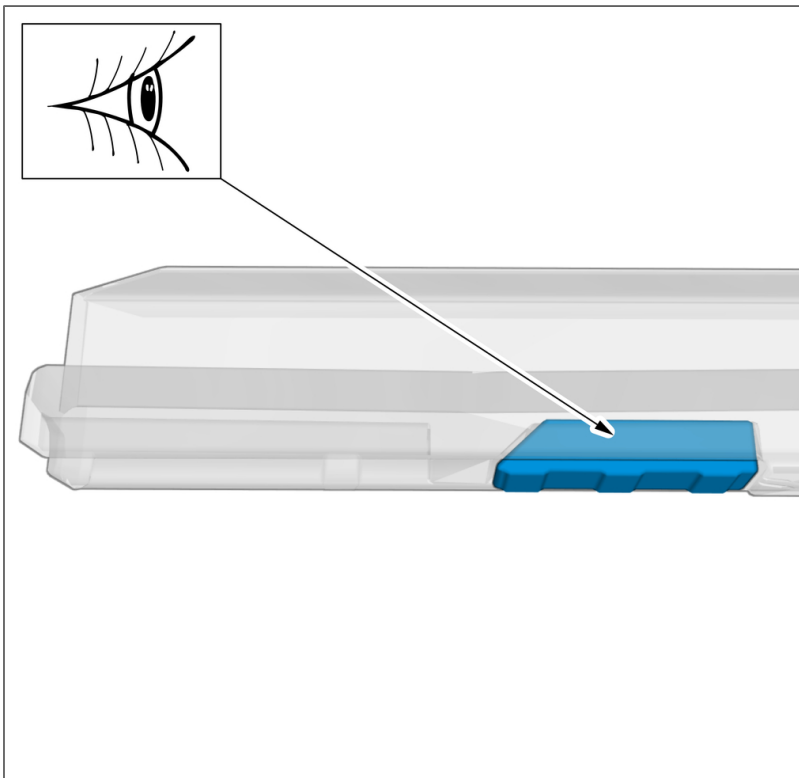
Caution! Make sure that the components are not forcibly bent.

Use: Tape measure

Mark using a pen

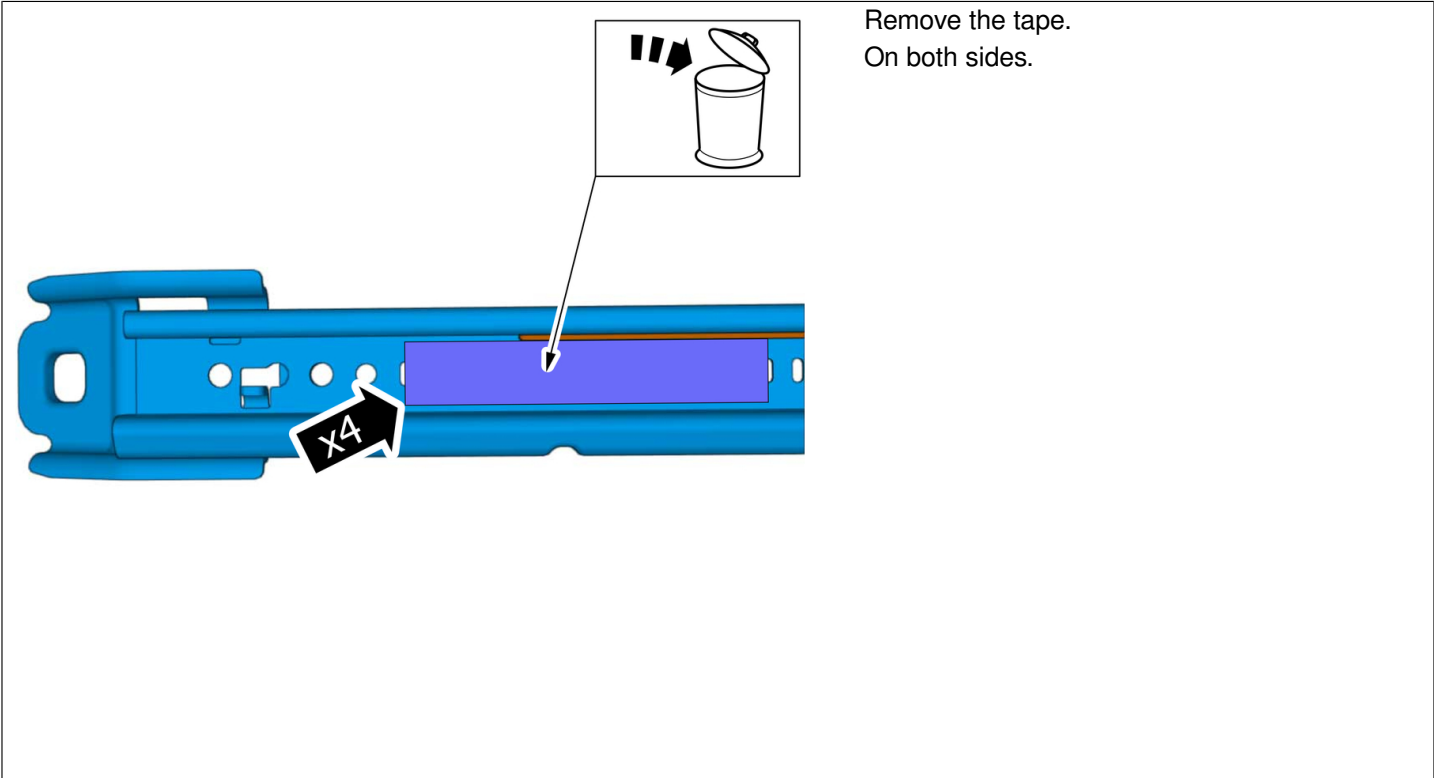
Special Tool: T9814071, Interior trim remover

On both sides.



Caution! Make sure that the component is positioned correctly.

On both sides.



Remove the tape.
On both sides.