



2018 PRE-DELIVERY SERVICE CHECK SHEET

Market: USA

August 2017 Rev. 1

BEFORE INSPECTION	OK	Adjust Repair
1 Install short pin (See page 2).....	<input type="checkbox"/>	<input type="checkbox"/>
2 Install antenna (See Repair Manual)	<input type="checkbox"/>	<input type="checkbox"/>

FUNCTIONAL OPERATION		
<i>Apply parking brake and cycle ignition "IG-ON"; place gear selector in reverse; turn on lights and rear defogger. Unlock all doors, release fuel door.</i>		
1 Check dome, courtesy, map, and sun visor lights*	<input type="checkbox"/>	<input type="checkbox"/>
2 Check warning/indicator lights, gauges, and horn.....	<input type="checkbox"/>	<input type="checkbox"/>
3 Check windshield wipers and washers	<input type="checkbox"/>	<input type="checkbox"/>
4 Check headlights, instrument lights, turn signals, dimmer switch, emergency flashers, and brake lights.....	<input type="checkbox"/>	<input type="checkbox"/>
5 Check inside/outside rear view mirror operation/adjustment*	<input type="checkbox"/>	<input type="checkbox"/>
6 Check USB* and 12V power outlets	<input type="checkbox"/>	<input type="checkbox"/>
7 Check audio/navigation*/backup camera systems and set clock	<input type="checkbox"/>	<input type="checkbox"/>
8 Install shift-lock override button cover	<input type="checkbox"/>	<input type="checkbox"/>
9 Check sliding roof*	<input type="checkbox"/>	<input type="checkbox"/>
10 Check Rear Seat Entertainment System operation*	<input type="checkbox"/>	<input type="checkbox"/>
11 Check passenger airbag system cutoff switch and light*	<input type="checkbox"/>	<input type="checkbox"/>

WALKAROUND INSPECTION		
<i>Starting at the left front door, check window and door lock operation. Continue around the vehicle in a counterclockwise direction checking each door and window operation, child door locks, seat belts, interior condition, all lights, and luggage compartment contents. Finish by checking headlight aim and continue into UNDER HOOD checks.</i>		

1 Check door and door lock operation, including each wireless remote control/theft deterrent system*	<input type="checkbox"/>	<input type="checkbox"/>
2 Check window operation.....	<input type="checkbox"/>	<input type="checkbox"/>
3 Check that engine starts with all keys	<input type="checkbox"/>	<input type="checkbox"/>
4 Check that child safety door locks are in normal (unlocked) position*	<input type="checkbox"/>	<input type="checkbox"/>
5 Check seats and seat belt operation.....	<input type="checkbox"/>	<input type="checkbox"/>
6 Check rear defogger/rear view mirror defogger*	<input type="checkbox"/>	<input type="checkbox"/>
7 Check side marker, tail, backup, cargo*, and license plate lights.....	<input type="checkbox"/>	<input type="checkbox"/>
8 Check jack and tool installation.....	<input type="checkbox"/>	<input type="checkbox"/>
9 Check headlight aim	<input type="checkbox"/>	<input type="checkbox"/>

UNDER HOOD		
1 Check engine oil level.....	<input type="checkbox"/>	<input type="checkbox"/>
2 Check brake and power steering* fluid levels	<input type="checkbox"/>	<input type="checkbox"/>
3 Check engine coolant level.....	<input type="checkbox"/>	<input type="checkbox"/>
4 Check windshield washer fluid level	<input type="checkbox"/>	<input type="checkbox"/>
5 Check battery State-Of-Charge using Digital Battery System Analyzer (SOC Reading: _____%)	<input type="checkbox"/>	<input type="checkbox"/>
6 Inspect for fuel, oil, coolant, and other fluid leaks	<input type="checkbox"/>	<input type="checkbox"/>

* Inspect or install when equipped/required.

Notes:

UNDER VEHICLE (ON HOIST)	OK	Adjust Repair
1 Remove disc brake anti-rust covers/anti-corrosion wheel film* (remove just prior to customer delivery)	<input type="checkbox"/>	<input type="checkbox"/>
2 Inspect tires for defects/damage.....	<input type="checkbox"/>	<input type="checkbox"/>
3 Initialize Tire Pressure Warning System (TPWS) (See page 2)	<input type="checkbox"/>	<input type="checkbox"/>
4 Install wheel covers/caps/spare tire wheel covers*	<input type="checkbox"/>	<input type="checkbox"/>
5 Inspect for fuel, oil, coolant, and other fluid leaks	<input type="checkbox"/>	<input type="checkbox"/>
6 Inspect under the vehicle for damage, rust, etc.....	<input type="checkbox"/>	<input type="checkbox"/>
7 Visually check bolts and nuts on chassis and powertrain for looseness	<input type="checkbox"/>	<input type="checkbox"/>
8 Install rubber body plugs (stored in glove box or center console)*	<input type="checkbox"/>	<input type="checkbox"/>

ROAD TEST
<i>A complete road test helps assure customer satisfaction. Drive vehicle over a variety of road surfaces and driving conditions. Check for unusual noise and driving performance.</i>

Enter Odometer Readings
Reading Before Test: _____ Reading After Test: _____

1 Check cold engine operation	<input type="checkbox"/>	<input type="checkbox"/>
2 Check engine operation during warm-up.....	<input type="checkbox"/>	<input type="checkbox"/>
3 Check engine operation at normal operating temperature...	<input type="checkbox"/>	<input type="checkbox"/>
4 Check transmission operation	<input type="checkbox"/>	<input type="checkbox"/>
5 Check brake and parking brake operation.....	<input type="checkbox"/>	<input type="checkbox"/>
6 Check steering operation and off-center/vehicle pull/flutter....	<input type="checkbox"/>	<input type="checkbox"/>
7 Inspect for abnormal noise and vibration	<input type="checkbox"/>	<input type="checkbox"/>
8 Inspect for squeaks and rattles.....	<input type="checkbox"/>	<input type="checkbox"/>
9 Check front and rear* heater and A/C operation.....	<input type="checkbox"/>	<input type="checkbox"/>
10 Check cruise control operation*	<input type="checkbox"/>	<input type="checkbox"/>
11 Check front seat heater/ventilation operation*	<input type="checkbox"/>	<input type="checkbox"/>
12 Set/calibrate compass* (See page 2)	<input type="checkbox"/>	<input type="checkbox"/>

FINAL INSPECTION AND CLEANING		
1 Remove interior protective covers, unnecessary labels, tags, etc. (Remove just before delivery to customer)	<input type="checkbox"/>	<input type="checkbox"/>
2 Visually inspect all interior parts for installation, damage, fit, dirt, etc.....	<input type="checkbox"/>	<input type="checkbox"/>
3 Verify floor mat application and install using retaining clips*	<input type="checkbox"/>	<input type="checkbox"/>
4 Remove Rappgard™ and clear protective bumper film*	<input type="checkbox"/>	<input type="checkbox"/>
5 Wash and clean vehicle	<input type="checkbox"/>	<input type="checkbox"/>
6 Inspect paint finish for scratches, chips, rust, dents, damage, etc.	<input type="checkbox"/>	<input type="checkbox"/>
7 Inspect exterior body parts for proper installation, damage, rust, etc.	<input type="checkbox"/>	<input type="checkbox"/>
8 Place oil change sticker on inside of windshield, top left corner	<input type="checkbox"/>	<input type="checkbox"/>
9 Place Owner's Manual portfolio* in glove box	<input type="checkbox"/>	<input type="checkbox"/>
10 Perform Techstream Health Check	<input type="checkbox"/>	<input type="checkbox"/>
11 Install front license plate and mounting bracket* (See page 2)	<input type="checkbox"/>	<input type="checkbox"/>
12 Install receiver towing hitch cap*	<input type="checkbox"/>	<input type="checkbox"/>

Completion and retention of this form is required to comply with Toyota's Warranty Policy.

TECHNICIAN'S SIGNATURE _____	SERVICE MANAGER'S SIGNATURE _____	We hereby certify that all items on this form have been checked and corrected for proper operation as required.
NAME (PLEASE PRINT) _____	NAME (PLEASE PRINT) _____	

Date	Dealer Name	Dealer Code	Vehicle Identification Number (Sticker)
------	-------------	-------------	---

SHORT PIN INSTALLATION

To minimize battery discharge, the short pin has been removed and is stored in the engine compartment Relay Block. Install the short pin and perform the procedure below to clear the Slip Indicator Light if it has set.

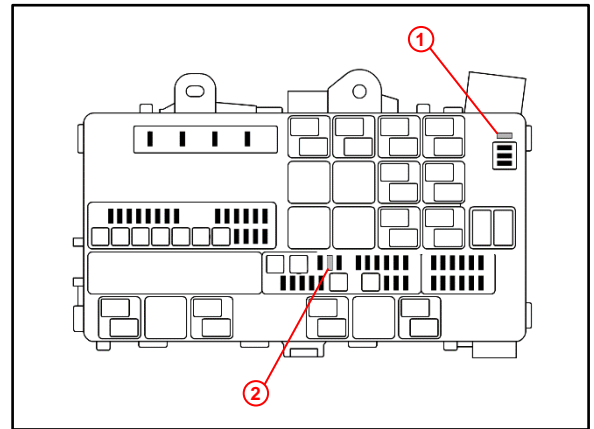
Slip Indicator Light Clearing Procedure

1. Drive straight for a minimum of 3 seconds at a speed greater than 7 mph.
2. Gently maneuver through a moderate turn (steering wheel rotated at least 20 degrees) lasting for at least 4 seconds at a speed greater than 7 mph.
3. Slip Indicator Light will turn OFF when the system has been successfully initialized.

NOTE

Do NOT turn the steering wheel rapidly.

4. If the Slip Indicator Light remains ON, repeat steps 1 and 2.



1 Storage Location

2 Installation Location

TIRE PRESSURE WARNING SYSTEM (TPWS) INITIALIZATION

The Tundra is equipped with a direct-type TPWS. Each tire (including the spare) has a tire pressure warning valve/sensor that measures tire pressure. The sensors must first be activated prior to operation. Refer to the information below.

Refer to the Repair Manual for the [Initialization procedure](#).

NOTE

To adjust the tire pressure correctly when the outside temperature is significantly colder than shop temperature, perform a Health Check using Techstream and select the "Compensation Tire Pressure" checkbox. Compensation pressures will be displayed on the Health Check results screen. Adjust the tire pressure when the tires are cold.

COMPASS CALIBRATION*

Some Tundra vehicles are equipped with a compass in the rear view mirror. In order for the compass to correctly indicate the direction the vehicle is heading, it must be calibrated prior to vehicle delivery.

Refer to the Repair Manual for the [Calibration procedure](#).

NOTE

- Do NOT perform calibration of the compass in a place where the Earth's magnetic field is subject to interference by artificial magnetic fields (underground parking, under a steel tower, between buildings, roof parking, near a railroad crossing, etc.)
- During calibration, do NOT operate electric systems (moon roof, power windows, etc.) as they may interfere with the calibration.

FRONT LICENSE PLATE AND MOUNTING BRACKET INSTALLATION*

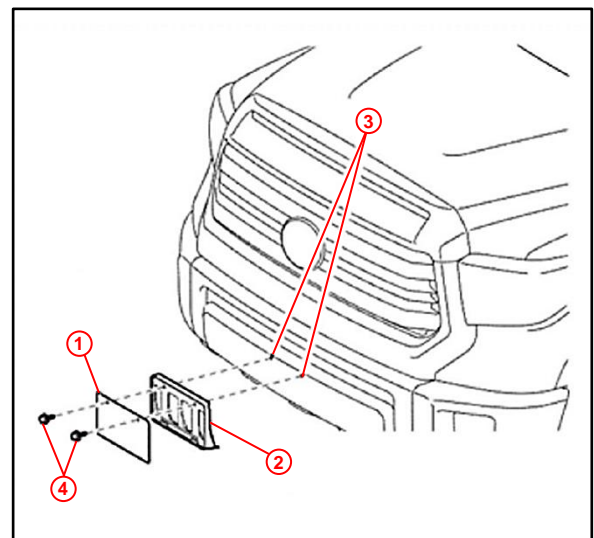
1. Insert the front license plate into tabs on the front license plate mounting bracket.
2. Align the installation holes on the license plate and front license plate mounting bracket with the dimples on the front bumper.
3. Screw the two self-tapping screws directly into the dimples to install the front license plate and front license plate mounting bracket.

NOTICE

- Do NOT pre-drill holes into the bumper.
- Do NOT overtighten the self-tapping screws.

HINT

Tighten the self-tapping screw into the round hole side first, then tighten the other self-tapping screw into the slotted hole.



1 License Plate

2 License Plate Mounting Bracket

3 Dimples

4 Self-tapping Screws